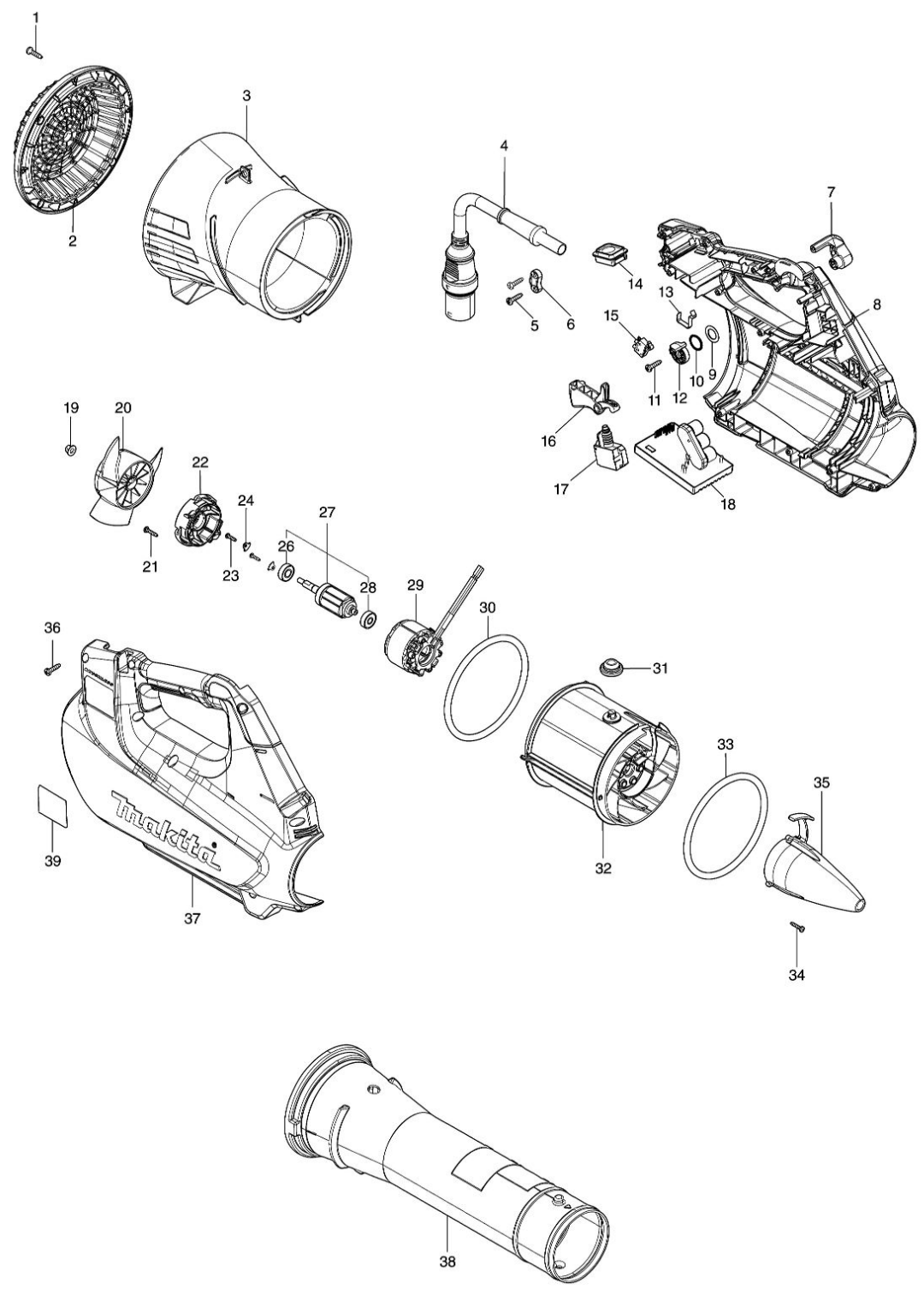


Model No.UB001C BATTERY POWERED BLOWER



| Nr.    | Part nr. | Name                       |
|--------|----------|----------------------------|
| 001    | 266326-2 | Tap Schroef 4X18mm P       |
| 002    | 412749-4 | Afdekkap UB001C            |
| 003    | 140V33-6 | Achterhuis cpl UB001C      |
| 004    | 699156-0 | Voedingskabel UB001C       |
| 005    | 266326-2 | Tap Schroef 4X18mm P       |
| 006    | 687149-9 | Klemstrip Vc2510L          |
| 007    | 412755-9 | Controleschakelaar UB001C  |
| 008    | 183R61-4 | Behuizingset UB001C        |
| 008C10 | 8011Y4-4 | Waarschuwinglabel DUB363 A |
| 009    | 253798-0 | Sluistring 13              |
| 010    | 213154-6 | O-Ring 14 DHW080 P         |
| 011    | 266326-2 | Tap Schroef 4X18mm P       |
| 012    | 412754-1 | Koppelstuk UB001C          |
| 013    | 232634-3 | Bladveer UB001C            |
| 014    | 140X08-7 | Schakelcircuit UB001C      |
| 014C10 | 810D46-0 | Label A/U AS1925           |
| 015    | 632L48-2 | Schakelaar DUC254Z         |
| 016    | 412756-7 | Schakelaarhendel UB001C    |
| 017    | 651436-2 | Schakelaar C3JW            |
| 018    | 620D15-1 | Controller UB001C          |
| 019    | 252286-4 | Moer M5X8mm DUB184         |
| 020    | 240177-1 | Waaier 110Mm Dub362 A      |
| 021    | 266429-2 | Tapschroef 3X16 P          |
| 022    | 412753-3 | Motorhuiskap UB001C        |
| 023    | 265893-4 | Tapschroef 3X12 Lh1040F    |
| 024    | 347733-9 | Borgring UB001C            |
| 026    | 210040-2 | Kogellager 698LLu          |
| 027    | 519639-3 | Anker UB001C               |
| 028    | 210022-4 | KOGELLAGER 626DDW          |
| 029    | 629A15-0 | Veld UB001C P              |
| 030    | 424721-4 | Pakkingring 115Mm Dub362   |
| 031    | 424194-1 | Ring 8Mm                   |
| 032    | 412751-7 | Motorhuisset UB001C        |
| 033    | 424721-4 | Pakkingring 115Mm Dub362   |
| 034    | 266429-2 | Tapschroef 3X16 P          |
| 035    | 412752-5 | Afdekkap UB001C            |
| 036    | 266326-2 | Tap Schroef 4X18mm P       |
| 037    | 183R61-4 | Behuizingset UB001C        |
| 037C10 | 8011Y4-4 | Waarschuwinglabel DUB363 A |
| 038    | 412757-5 | Blaasbuis UB001C           |
| 039    | 857M75-6 | Naamplaat UB001C           |