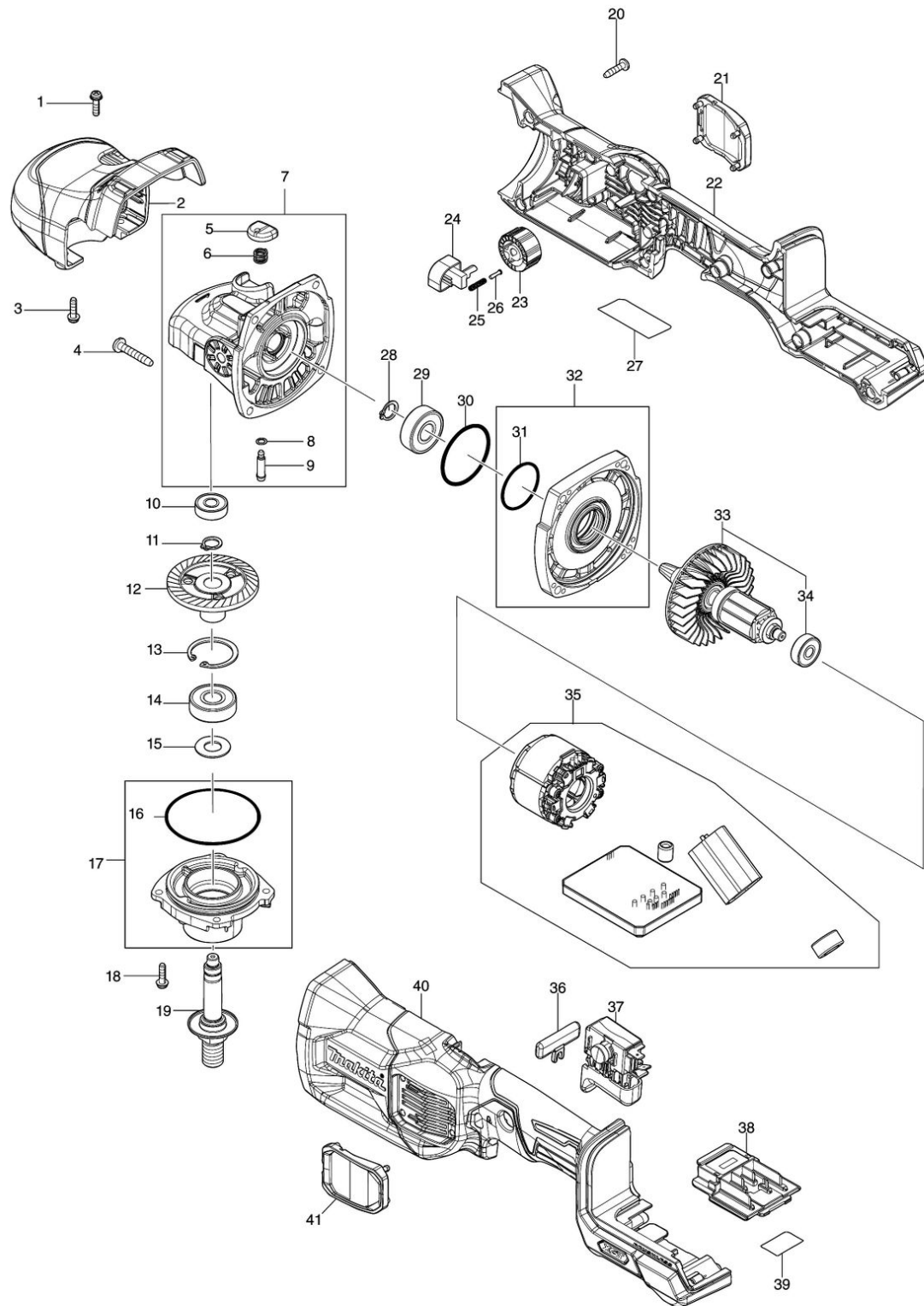


# Partdrawing for PV001GZ - Schuur-/poetsmachine



Model No.PV001G 180MM CORDLESS POLISHER



Nr.	Part nr.	Name
001	911128-8	Schroef 4X16 P
002	413F66-1	Afdekkap PV001G
003	911128-8	Schroef 4X16 P
004	266173-1	Tapschroef Pt 5X30 A
005	412234-7	Afdekkap GA005G
006	233072-2	Drukveer 8 9541-9542
007	136628-9	Tandwielhuis PV001G
007C10	263002-9	Rubber Pen 4 6413 A
008	213960-9	O-RING 5 9554NB/GA40/5030 P
009	256546-6	Kraagpin 4Mm Dga505
010	210029-0	Kogellager 608Zz Bda341 P
011	961052-5	Borgring S-12
012	227953-0	Tandwiel 52 PV001G
013	962151-6	Borgring R-32 EBH341L P
014	211106-1	Kogellager 6201Lib 9227Cb
015	267113-2	Sluistring 12 P
016	213654-6	O-Ring 60
017	136629-7	Lagerbox assy PV001G
018	911128-8	Schroef 4X16 P
019	141J24-8	As PV001G
020	265995-6	Tapschroef 4X18 P
021	422871-9	Stofkap PV001G
022	183V37-5	Motorhuisset PV001G
022C10	263005-3	Rubber Pen 6 AC320H P
022C20	8005T5-8	Label XGT logo
023	271472-8	Knop 28 PV001G
024	620415-1	Controlle Unit Dub362
025	233002-3	Drukveer 3 T221Dw
026	255058-6	Klinknagel 2 9227Cb
027	8115Y5-8	Naamplaat PV001G
028	961052-5	Borgring S-12
029	211137-0	Kogellager 6201Llu Hm0860C
030	213842-5	O-ring 40 PV001G
031	213459-4	O-Ring 32
032	136630-2	Tandwielhuiskap PV001G
033	519738-1	Anker assy PV001G
034	210023-2	KOGELLAGER 627DDW P
035	629B09-1	Veld PV001G
036	458972-7	Blokkeerknop DPO500
037	650020-0	Schakelaar c3jr-4b-2I PV001G
038	632P65-6	Controleunit GA-40V serie
039	8116A3-0	Label serienr. PV001G
040	183V37-5	Motorhuisset PV001G
040C10	263005-3	Rubber Pen 6 AC320H P
040C20	8005T5-8	Label XGT logo
041	422871-9	Stofkap PV001G