

| Nr. | Part nr. | Name |
|--------|------------|--------------------------------|
| 001 | JM23500132 | Voetdop Ls0815FI |
| 002 | JM23000127 | Tafelverbreder |
| 003 | JM23100016 | Sluitring 4Mm LS1018L A |
| 004 | JM23500008 | Met.Schr. M4X10Mm Ls0815 |
| 005 | JM23500009 | Centreerbout Ls0815 |
| 006 | JM23510001 | Voettafel Ls0815 |
| 006C10 | JM23500010 | Schaalverdeling Ls815 |
| 006C20 | JM2708A060 | Label Waarschuwing Ls1017L |
| 006C30 | JM23500011 | VOETTAFEL LS0815 P |
| 006C40 | JM2318A058 | Label Waarschuwing Ls815 |
| 007 | JM00000074 | Schroef 6X20 |
| 008 | JM23100025 | Houder Ls1017L |
| 009 | JM23100020 | Vergrendelplaat B Ls1017L |
| 010 | JM23100016 | Sluitring 4Mm LS1018L A |
| 011 | JM23100015 | Veerring 4Mm Ls1017L P |
| 012 | JM23100033 | Metaalschroef M4X12 LS0815FL P |
| 012-1 | JM23100033 | Metaalschroef M4X12 LS0815FL P |
| 013 | JM23100018 | Vergrendelplaat A Ls1017L |
| 014 | JM23100016 | Sluitring 4Mm LS1018L A |
| 015 | JM23100015 | Veerring 4Mm Ls1017L P |
| 016 | JM23100033 | Metaalschroef M4X12 LS0815FL P |
| 016-1 | JM23100033 | Metaalschroef M4X12 LS0815FL P |
| 017 | JM23100023 | Drukplaat Ls1017L |
| 018 | JM23100021 | Borgveer Ls1017L |
| 019 | JM23100022 | Blokkeerpen Ls1017L |
| 020 | JM23500015 | Blokkeeras B Ls0815FI |
| 021 | JM23500014 | Drukveer Ls0815FI |
| 022 | JM23500013 | Stelschroef Ls0815FI |
| 023 | JM23100027 | Blokkeerhandel Ls1017L |
| 024 | JM23500016 | Blokkeeras A Ls0815FI |
| 025 | JM23500012 | Glijplaat Ls0815FI |
| 026 | JM23510002 | Draaiplateau Ls0815FI |
| 026A | JM23500017 | Label Schaalverd Ls0815FI |
| 026B | JM23500018 | Blokkeeras LS0815FL |
| 026C | JM23500019 | DRAAIPLATEAU LS0815FL P |
| 026D | JM23500020 | Pin 4X30Mm LS0815 |
| 026E | JM23500021 | Moer M10 Ls0815 |
| 027 | JM23500008 | Met.Schr. M4X10Mm Ls0815 |
| 028 | JM23100016 | Sluitring 4Mm LS1018L A |
| 029 | JM23100030 | Markeerpunt Ls1017L |
| 030 | JM23500053 | Kartelring 4Mm Ls0815 |
| 031 | JM23100034 | Inbusbout M6X28 LS1018L |
| 032 | JM23500023 | Borgmoer M8 Ls0815 |
| 033 | JM23500022 | Revet 8Mm Ls0815 |
| 034 | JM23100035 | Borgring LS1018L |
| 035 | JM23500008 | Met.Schr. M4X10Mm Ls0815 |

| Nr. | Part nr. | Name |
|-------|------------|--------------------------------|
| 036 | JM23100029 | Inzaagplaat Ls1017L P |
| 039 | JM23100013 | Sterknop Ls1017L |
| 040 | JM00000081 | Achteraanslag |
| 041 | JM23100062 | Inbusbout M8X30 Ls1017L |
| 042 | JM23100061 | Veerring 8Mm Ls1017L P |
| 043 | JM23100060 | Sluitring 8Mm Ls1017L |
| 044 | JM00000080 | Aanslag Assy L0815 |
| 044A | JM23500127 | AANSLAG L0815 P |
| 044B | JM23580063 | Label Waarsch Ls0815 |
| 045 | JM23100065 | Metaalschroef M4X8 Ls1017L |
| 046 | JM23100015 | Veerring 4Mm Ls1017L P |
| 047 | JM23100016 | Sluitring 4Mm LS1018L A |
| 048 | JM23500024 | Spie Ls0815 |
| 049 | JM23500095 | Aanslagblok 45Gr Ls0815 |
| 050 | JM23100007 | Sluitring 5Mm LS1018L |
| 051 | JM23100149 | Veerring 5Mm Ls1017L |
| 052 | JM23500096 | Inbusbout M5X14Mm Ls0815 |
| 053 | JM23100016 | Sluitring 4Mm LS1018L A |
| 054 | JM23100015 | Veerring 4Mm Ls1017L P |
| 055 | JM23500008 | Met.Schr. M4X10Mm Ls0815 |
| 056 | JM23500097 | Aanslagkap 45Gr Ls0815 |
| 057 | JM23500094 | Veer 8Mm Ls0815 |
| 058 | JM23500093 | Plaat 45Gr Ls0815 |
| 059 | JM23100051 | Borgpen Ls1017L |
| 060 | JM23100049 | Drukveer Ls1017L |
| 061 | JM23100052 | Klemplaat Ls1017L |
| 062 | JM23510008 | Armhouder Assy Ls0815 |
| 062A | JM23100087 | Borgschroef M6X8 Ls1017L |
| 062B | JM23500089 | Linear Lager Ls0815 |
| 062C | JM23100081 | Dempingsbuffer Ls1017L |
| 062D | JM23500090 | ARMHOUDER LS0815 P |
| 062F | JM23500092 | Keerring Ls0815 |
| 063 | JM23500079 | Borgring E-8 |
| 064 | JM23500078 | Glijplaat Ls0815 * |
| 065 | JM23100033 | Metaalschroef M4X12 LS0815FL P |
| 065-1 | JM23100033 | Metaalschroef M4X12 LS0815FL P |
| 066 | JM23100016 | Sluitring 4Mm LS1018L A |
| 067 | JM23100048 | Markeerpunt Ls1017L |
| 068 | JM23500053 | Kartelring 4Mm Ls0815 |
| 069 | JM23500080 | Aanslag 90Gr Ls0815 |
| 070 | JM23100086 | Vastzetknop Ls1017L |
| 071 | JM23100190 | Revet 6Mm Ls1017L |
| 072 | JM23100088 | Drukveer Ls1017L |
| 073 | JM23100010 | Sluitring 10Mm Ls1017L |
| 074 | JM23100009 | Borgmoer M10 Ls1017L |
| 075 | JM23100053 | Komplaat Ls1017L |

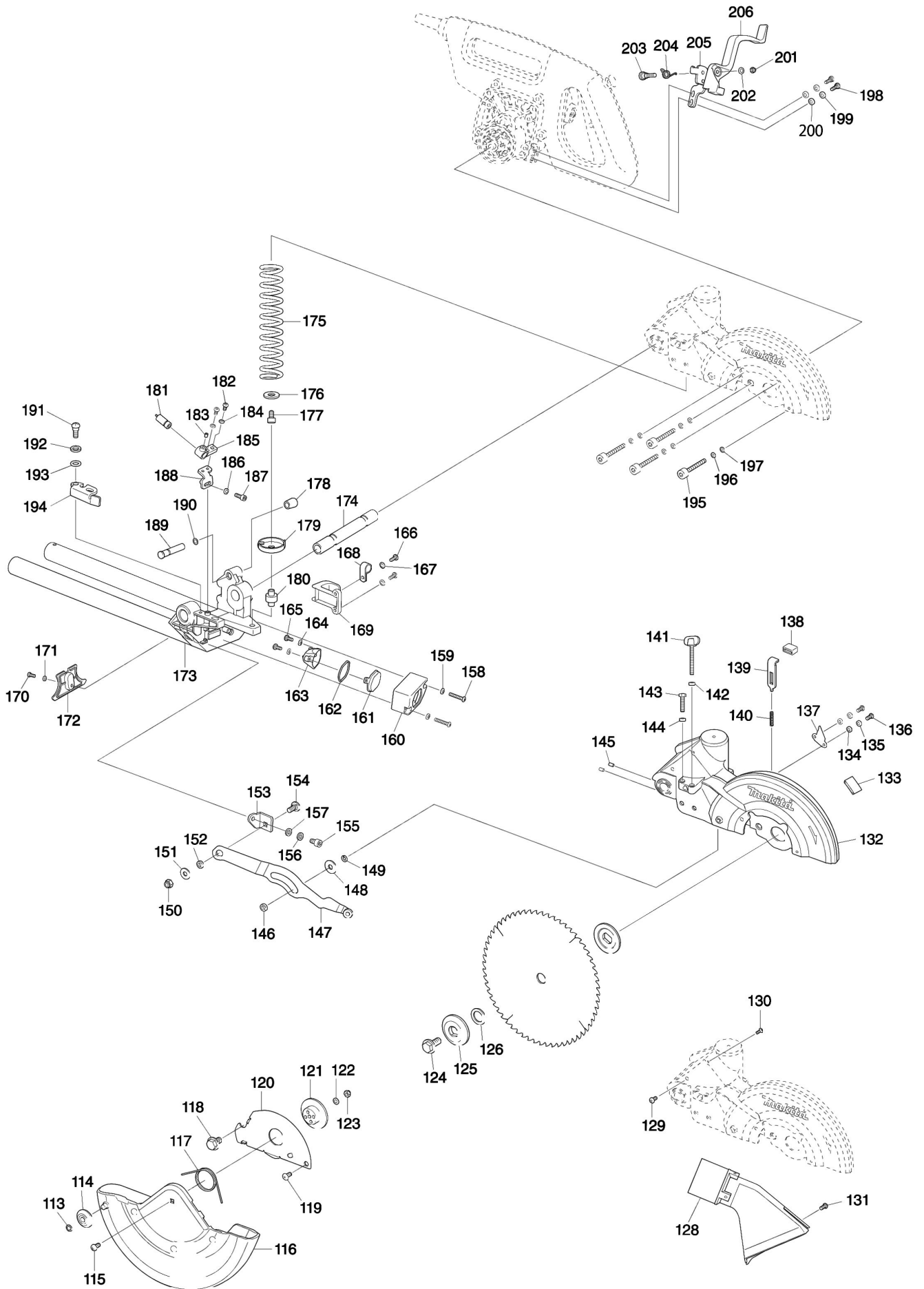
| Nr. | Part nr. | Name |
|-------|------------|--------------------------------|
| 076 | JM23100055 | Sluitring 10X26X2,5Mm Ls1017L |
| 077 | JM23100054 | Glijlager Ls1017L |
| 078 | JM23100055 | Sluitring 10X26X2,5Mm Ls1017L |
| 079 | JM23500086 | Armhouder Kap Ls0815 |
| 080 | JM23100007 | Sluitring 5Mm LS1018L |
| 081 | JM23100006 | Metaalschroef M5X20 Ls1017L |
| 082 | JM23100019 | Metaalschroef M4X18 LS1018L |
| 083 | JM23100016 | Sluitring 4Mm LS1018L A |
| 084 | JM23500087 | Vastzethandel LS0815 |
| 085 | JM23500088 | Moer Ls0815 |
| 086 | JM23500081 | Met.Schr. M5 Ls0815 |
| 087 | JM23100007 | Sluitring 5Mm LS1018L |
| 088 | JM23100149 | Veerring 5Mm Ls1017L |
| 089 | JM23500082 | Afdekkap Ls0815 |
| 090 | JM23500083 | Keerring Ls0815 |
| 091 | JM23500084 | Pasring Ls0815 |
| 092 | JM23500083 | Keerring Ls0815 |
| 093 | JM23500082 | Afdekkap Ls0815 |
| 096 | JM23500081 | Met.Schr. M5 Ls0815 |
| 099 | JM23100072 | Trekontlaster Ls1017L |
| 100 | JM23500066 | Kabelhouderklem Ls0815 |
| 101 | JM23500081 | Met.Schr. M5 Ls0815 |
| 102 | JM23100149 | Veerring 5Mm Ls1017L |
| 103 | JM23100007 | Sluitring 5Mm LS1018L |
| 104 | JM23100007 | Sluitring 5Mm LS1018L |
| 105 | JM23500081 | Met.Schr. M5 Ls0815 |
| 106 | JM23100149 | Veerring 5Mm Ls1017L |
| 107 | JM23500085 | Glijstangsteun Ls0815 |
| 108 | JM23100091 | Sleutelhouder Ls1017L |
| 109 | JM23100016 | Sluitring 4Mm LS1018L A |
| 110 | JM23100015 | Veerring 4Mm Ls1017L P |
| 111 | JM23100033 | Metaalschroef M4X12 LS0815FL P |
| 111-1 | JM23100033 | Metaalschroef M4X12 LS0815FL P |
| 113 | JM23100103 | Borgring Ls1017L |
| 114 | JM23100102 | Roller Ls1017L |
| 115 | JM23500031 | Slotbout M5X12 Ls0815 |
| 116 | JM23510004 | Verende Beschermkap LS0815 P |
| 116A | JM23500032 | VERENDE BESCHERMKAP LS0815 P |
| 116B | JM23500033 | STEUN LS0815 P |
| 116C | JM23100104 | Sluitring 5Mm Ls1017L P |
| 116D | JM23100101 | Klinknagel Ls1018L |
| 117 | JM23500035 | Veer Tbv Zaagkap Ls0815 |
| 118 | JM23100112 | Inbusbout Ls1017L |
| 119 | JM23100113 | Schroef Ls1017L |
| 120 | JM23500036 | Zaagkapplaat Ls0815 |
| 121 | JM23500037 | Centreerplaat Ls0815 |

| Nr. | Part nr. | Name |
|-------|------------|--------------------------------|
| 122 | JM23100007 | Sluitring 5Mm LS1018L |
| 123 | JM23100141 | Borgmoer M5 Ls1017L P |
| 124 | JM23500135 | Bout Tbv Zaagflens Ls0815 |
| 125 | JM23500038 | Zaagbladflens Ls0815 |
| 126 | JM23100144 | Verloopring LS0815FL |
| 128 | JM23500039 | Stofgeleider Ls0815 |
| 129 | JM23100193 | Pin C Ls1017L |
| 129-1 | JM23500040 | Parker 4,2x12mm LS0815 |
| 130 | JM23100193 | Pin C Ls1017L |
| 130-1 | JM23500040 | Parker 4,2x12mm LS0815 |
| 131 | JM23500034 | Met.Schr. M Ls0815 |
| 132 | JM23510005 | Vastezaagkap Ls0815 |
| 132A | JM23500046 | VASTEZAAGKAP LS0815 P |
| 132B | JM23100114 | Pin Ls1017L |
| 132C | JM23100147 | Aanslagdop Ls1017L |
| 133 | JM23500047 | Zaagkapinzet Ls0815 |
| 134 | JM23100016 | Sluitring 4Mm LS1018L A |
| 135 | JM23100015 | Veerring 4Mm Ls1017L P |
| 136 | JM23100033 | Metaalschroef M4X12 LS0815FL P |
| 137 | JM23500048 | Blokkeerplaat Ls0815 |
| 137-1 | JM23100033 | Metaalschroef M4X12 LS0815FL P |
| 138 | JM23100138 | Afdekkap Ls1017L |
| 139 | JM23500139 | Blokkeerplaat Ls0815 A |
| 139-1 | JM23500139 | Blokkeerplaat Ls0815 A |
| 140 | JM23500049 | Drukveer 5Mm Ls0815 |
| 141 | JM23100119 | Stelbout Ls1017L |
| 142 | JM23100035 | Borgring LS1018L |
| 143 | JM23500051 | Moerbout M6X25 Ls0815 |
| 144 | JM23100035 | Borgring LS1018L |
| 145 | JM23500052 | Stelschroef Ls0815 |
| 146 | JM23100098 | Verbindingsbus Ls1017L |
| 147 | JM23510003 | Hefboom Assy Ls0815 |
| 147A | JM23500028 | HEFBOOM LS0815 P |
| 147B | JM23500029 | GELEIDINGSPIN LS0815 P |
| 147C | 211157-4 | Kogellager 695ZZ A |
| 148 | JM23100071 | Sluitring 6Mm Ls1017L |
| 149 | JM23100115 | Borgring R-5 Ls1017L |
| 150 | JM23500027 | Borgmoer Ls0815 |
| 151 | JM23100071 | Sluitring 6Mm Ls1017L |
| 152 | JM23100098 | Verbindingsbus Ls1017L |
| 153 | JM23500055 | Montageplaat Ls0815 |
| 154 | JM23500054 | Slotbout M6X14Mm Ls0815 |
| 155 | JM23500071 | Inbusbout Ck M6X12 Ls0815 |
| 156 | JM23100151 | Veerring 6Mm Ls1017L |
| 157 | JM23100190 | Revet 6Mm Ls1017L |
| 158 | JM23500056 | Met.Schr. M4X28Mm Ls0815 |

| Nr. | Part nr. | Name |
|-------|------------|-----------------------------|
| 159 | JM23100016 | Sluitring 4Mm LS1018L A |
| 160 | JM23500057 | Lampkap Ls0815 |
| 161 | JM23500058 | Lens Ls0815 |
| 162 | JM23500059 | Pakkingring Ls0815 * |
| 163 | JM23510006 | Lamp Assy Ls0815 |
| 163A | JM23500060 | REFLECTOR LS0815 P |
| 163B | JM23500061 | LAMP LS0815 P |
| 164 | JM23500128 | Sluitring 3Mm Ls0815 |
| 165 | JM23500062 | Parker 9X13Mm Ls0815 |
| 166 | JM23100019 | Metaalschroef M4X18 LS1018L |
| 167 | JM23100016 | Sluitring 4Mm LS1018L A |
| 168 | JM23100072 | Trekontlaster Ls1017L |
| 169 | JM23500066 | Kabelhouderklem Ls0815 |
| 170 | JM23500008 | Met.Schr. M4X10Mm Ls0815 |
| 171 | JM23100016 | Sluitring 4Mm LS1018L A |
| 172 | JM23500077 | Afdekkap Ls0815 |
| 173 | JM23510007 | Glijarm Assy Ls0815 |
| 173A | JM23500074 | GLIJARM LS0815 P |
| 173B | JM23500075 | Pin 5Mm Ls0815FI* |
| 173C | JM23500076 | AFDEKKAP LS0815 P |
| 173D | JM23180059 | Label Veiligheid Ls1017L |
| 174 | JM23500064 | Verbindingsas Ls0815FI |
| 175 | JM23500072 | Veer 32 Ls0815 |
| 176 | JM23500022 | Revet 8Mm Ls0815 |
| 177 | JM23500071 | Inbusbout Ck M6X12 Ls0815 |
| 178 | JM23100097 | Pinkap Ls1017L |
| 179 | JM23500065 | Veersteun Ls0815FI |
| 180 | JM23500063 | Ondersteuningspen Ls0815FI |
| 181 | JM23500070 | Laser Ls0815FI |
| 182 | JM23500068 | Inbusbout Ck M4X8 LS0815 P |
| 183 | JM23500069 | Stelschroef Ls0815 |
| 184 | JM23100016 | Sluitring 4Mm LS1018L A |
| 185 | JM23500067 | Laser Afstelplaat Ls0815FI |
| 186 | JM23100016 | Sluitring 4Mm LS1018L A |
| 187 | JM23100146 | Inbusbout M4X10 LS1018L B |
| 188 | JM23500073 | Laser Afstelplaat Ls0815FI |
| 189 | JM23100093 | Pin Ls1017L P |
| 189-1 | JM23100193 | Pin C Ls1017L |
| 190 | JM23100150 | Pakkingring Ls1017L |
| 191 | JM23100096 | Diepte-Instelbout Ls1017L |
| 192 | JM23100060 | Sluitring 8Mm Ls1017L |
| 193 | JM23100094 | Veerring Ls1017L |
| 194 | JM23100092 | Diepte-Instelplaat Ls1017L |
| 195 | JM23500041 | Inbusbout Ck M6X40 Ls0815 |
| 196 | JM23100151 | Veerring 6Mm Ls1017L |
| 197 | JM23100190 | Revet 6Mm Ls1017L |

| Nr. | Part nr. | Name |
|-------|------------|--------------------------------|
| 207 | JM23500103 | Aandrijfas Ls0815FI |
| 208 | JM23100156 | Spie 5X10Mm Ls1017L |
| 209 | JM23100157 | Kogellager 6304 P |
| 210 | JM23100158 | Borgring R-20 Ls1017L |
| 211 | JM23500104 | Tandwiel Ls0815FI |
| 212 | JM23100160 | Borgring E-16 Ls1017L |
| 213 | JM23100161 | Borgschroef M8X12Mm Ls1017L |
| 214 | JM23510011 | Tandwielhuis Cmpl. Ls0815FI |
| 214A | JM23500105 | TANDWIELHUIS LS0815FL P |
| 214B | JM23100162 | Bus Ls1017L |
| 215 | JM23100165 | Kabeltule Ls1017L |
| 216 | 665383-1 | Netsnoer 2X1.00 2.2Mtr A |
| 217 | JM23100166 | Trekontaster Ls1017L |
| 218 | JM23100193 | Pin C Ls1017L |
| 218-1 | JM23500040 | Parker 4,2x12mm LS0815 |
| 219 | JM23500108 | Beschermhuls Ls0815FI |
| 220 | JM23500133 | Magneet Ring Ls0815FI |
| 221 | JM23500109 | Transformator Ls0815FI |
| 222 | JM23100177 | Deblokkeerknop Ls1017L |
| 223 | JM23100175 | Schakelplaat Ls1017L |
| 224 | JM23100171 | Contactpunt Ls1017L |
| 225 | JM23100173 | Schakelaarsteun Ls1017L |
| 226 | JM23100169 | Ontstorings Condensator Ls1017 |
| 227 | JM23100179 | Schakelaar Ls1017L |
| 228 | JM23100176 | Schakelaarveer Ls1017L |
| 229 | JM23100174 | Schakelhandel Ls1017L |
| 230 | JM23500110 | Stofring Ls0815FI |
| 231 | 211129-9 | Kogellager 6201Ddw P |
| 232 | JM23500001 | Anker Ls0815FI |
| 233 | JM23500111 | Kogellager 608 Ls0815FI |
| 234 | JM23500112 | Demping Ring Ls0815FI |
| 235 | JM23500113 | Met.Schr. M4.2X65 Ls0815 |
| 236 | JM23500004 | Veld Ls0815FI |
| 237 | JM23510012 | Motorhuis Cmpl. Ls0815FI |
| 237A | JM23500114 | MOTORHUIS LS0815FL P |
| 237B | JM23500115 | Koolborstelhouder Ls0815FI |
| 237C | JM23100185 | Inbusbout M5X8 Ls1017L* |
| 237D | JM23180057 | Label Veiligheid Ls1017L |
| 237E | JM23180056 | Label Veiligheid Ls0815FI |
| 238 | JM23500116 | Koolborsteldop Ls0815FI |
| 239 | JM23500117 | Koolborstel Set Ls0815FI |
| 240 | JM23100190 | Revet 6Mm Ls1017L |
| 241 | JM23500118 | Parker M6X60Mm Ls0815 |
| 242 | JM23100186 | Soft Start Circuit Ls1017L |
| 243 | JM23500119 | Motorhuisdeksel Ls0815FI |
| 244 | JM23100167 | Parker M4X16MM LS0815FL |

| Nr. | Part nr. | Name |
|------------|-----------------|-----------------------------|
| 245 | JM23500121 | Handgreepdeksel Re Ls0815FI |
| 246 | JM23100007 | Sluitring 5Mm LS1018L |
| 247 | JM23500123 | Parker M5X40Mm Ls0815 |
| 248 | JM23100167 | Parker M4X16MM LS0815FL |
| 249 | JM23500124 | Schakelaarsteun Ls0815FI |
| 250 | JM23500125 | Schakelaar Ls0815FI |
| 251 | JM23500126 | Schakelkap Ls0815FI |
| 252 | JM23500120 | Met.Schr. M4.2X28 Ls0815 |
| 253 | JM23500107 | Handgreepdeksel Li Ls0815FI |
| 254 | JM23580018 | Naamplaat Ls0815FI* |
| 255 | JM00000038 | Tafelverbreder houder |



| Nr. | Part nr. | Name |
|--------|------------|--------------------------------|
| 001 | JM23500132 | Voetdop Ls0815FI |
| 002 | JM23000127 | Tafelverbreder |
| 003 | JM23100016 | Sluitring 4Mm LS1018L A |
| 004 | JM23500008 | Met.Schr. M4X10Mm Ls0815 |
| 005 | JM23500009 | Centreerbout Ls0815 |
| 006 | JM23510001 | Voettafel Ls0815 |
| 006C10 | JM23500010 | Schaalverdeling Ls815 |
| 006C20 | JM2708A060 | Label Waarschuwing Ls1017L |
| 006C30 | JM23500011 | VOETTAFEL LS0815 P |
| 006C40 | JM2318A058 | Label Waarschuwing Ls815 |
| 007 | JM00000074 | Schroef 6X20 |
| 008 | JM23100025 | Houder Ls1017L |
| 009 | JM23100020 | Vergrendelplaat B Ls1017L |
| 010 | JM23100016 | Sluitring 4Mm LS1018L A |
| 011 | JM23100015 | Veerring 4Mm Ls1017L P |
| 012 | JM23100033 | Metaalschroef M4X12 LS0815FL P |
| 012-1 | JM23100033 | Metaalschroef M4X12 LS0815FL P |
| 013 | JM23100018 | Vergrendelplaat A Ls1017L |
| 014 | JM23100016 | Sluitring 4Mm LS1018L A |
| 015 | JM23100015 | Veerring 4Mm Ls1017L P |
| 016 | JM23100033 | Metaalschroef M4X12 LS0815FL P |
| 016-1 | JM23100033 | Metaalschroef M4X12 LS0815FL P |
| 017 | JM23100023 | Drukplaat Ls1017L |
| 018 | JM23100021 | Borgveer Ls1017L |
| 019 | JM23100022 | Blokkeerpen Ls1017L |
| 020 | JM23500015 | Blokkeeras B Ls0815FI |
| 021 | JM23500014 | Drukveer Ls0815FI |
| 022 | JM23500013 | Stelschroef Ls0815FI |
| 023 | JM23100027 | Blokkeerhandel Ls1017L |
| 024 | JM23500016 | Blokkeeras A Ls0815FI |
| 025 | JM23500012 | Glijplaat Ls0815FI |
| 026 | JM23510002 | Draaiplateau Ls0815FI |
| 026A | JM23500017 | Label Schaalverd Ls0815FI |
| 026B | JM23500018 | Blokkeeras LS0815FL |
| 026C | JM23500019 | DRAAIPLATEAU LS0815FL P |
| 026D | JM23500020 | Pin 4X30Mm LS0815 |
| 026E | JM23500021 | Moer M10 Ls0815 |
| 027 | JM23500008 | Met.Schr. M4X10Mm Ls0815 |
| 028 | JM23100016 | Sluitring 4Mm LS1018L A |
| 029 | JM23100030 | Markeerpunt Ls1017L |
| 030 | JM23500053 | Kartelring 4Mm Ls0815 |
| 031 | JM23100034 | Inbusbout M6X28 LS1018L |
| 032 | JM23500023 | Borgmoer M8 Ls0815 |
| 033 | JM23500022 | Revet 8Mm Ls0815 |
| 034 | JM23100035 | Borgring LS1018L |
| 035 | JM23500008 | Met.Schr. M4X10Mm Ls0815 |

| Nr. | Part nr. | Name |
|-------|------------|--------------------------------|
| 036 | JM23100029 | Inzaagplaat Ls1017L P |
| 039 | JM23100013 | Sterknop Ls1017L |
| 040 | JM00000081 | Achteraanslag |
| 041 | JM23100062 | Inbusbout M8X30 Ls1017L |
| 042 | JM23100061 | Veerring 8Mm Ls1017L P |
| 043 | JM23100060 | Sluitring 8Mm Ls1017L |
| 044 | JM00000080 | Aanslag Assy L0815 |
| 044A | JM23500127 | AANSLAG L0815 P |
| 044B | JM23580063 | Label Waarsch Ls0815 |
| 045 | JM23100065 | Metaalschroef M4X8 Ls1017L |
| 046 | JM23100015 | Veerring 4Mm Ls1017L P |
| 047 | JM23100016 | Sluitring 4Mm LS1018L A |
| 048 | JM23500024 | Spie Ls0815 |
| 049 | JM23500095 | Aanslagblok 45Gr Ls0815 |
| 050 | JM23100007 | Sluitring 5Mm LS1018L |
| 051 | JM23100149 | Veerring 5Mm Ls1017L |
| 052 | JM23500096 | Inbusbout M5X14Mm Ls0815 |
| 053 | JM23100016 | Sluitring 4Mm LS1018L A |
| 054 | JM23100015 | Veerring 4Mm Ls1017L P |
| 055 | JM23500008 | Met.Schr. M4X10Mm Ls0815 |
| 056 | JM23500097 | Aanslagkap 45Gr Ls0815 |
| 057 | JM23500094 | Veer 8Mm Ls0815 |
| 058 | JM23500093 | Plaat 45Gr Ls0815 |
| 059 | JM23100051 | Borgpen Ls1017L |
| 060 | JM23100049 | Drukveer Ls1017L |
| 061 | JM23100052 | Klemplaat Ls1017L |
| 062 | JM23510008 | Armhouder Assy Ls0815 |
| 062A | JM23100087 | Borgschroef M6X8 Ls1017L |
| 062B | JM23500089 | Linear Lager Ls0815 |
| 062C | JM23100081 | Dempingsbuffer Ls1017L |
| 062D | JM23500090 | ARMHOUDER LS0815 P |
| 062F | JM23500092 | Keerring Ls0815 |
| 063 | JM23500079 | Borgring E-8 |
| 064 | JM23500078 | Glijplaat Ls0815 * |
| 065 | JM23100033 | Metaalschroef M4X12 LS0815FL P |
| 065-1 | JM23100033 | Metaalschroef M4X12 LS0815FL P |
| 066 | JM23100016 | Sluitring 4Mm LS1018L A |
| 067 | JM23100048 | Markeerpunt Ls1017L |
| 068 | JM23500053 | Kartelring 4Mm Ls0815 |
| 069 | JM23500080 | Aanslag 90Gr Ls0815 |
| 070 | JM23100086 | Vastzetknop Ls1017L |
| 071 | JM23100190 | Revet 6Mm Ls1017L |
| 072 | JM23100088 | Drukveer Ls1017L |
| 073 | JM23100010 | Sluitring 10Mm Ls1017L |
| 074 | JM23100009 | Borgmoer M10 Ls1017L |
| 075 | JM23100053 | Komplaat Ls1017L |

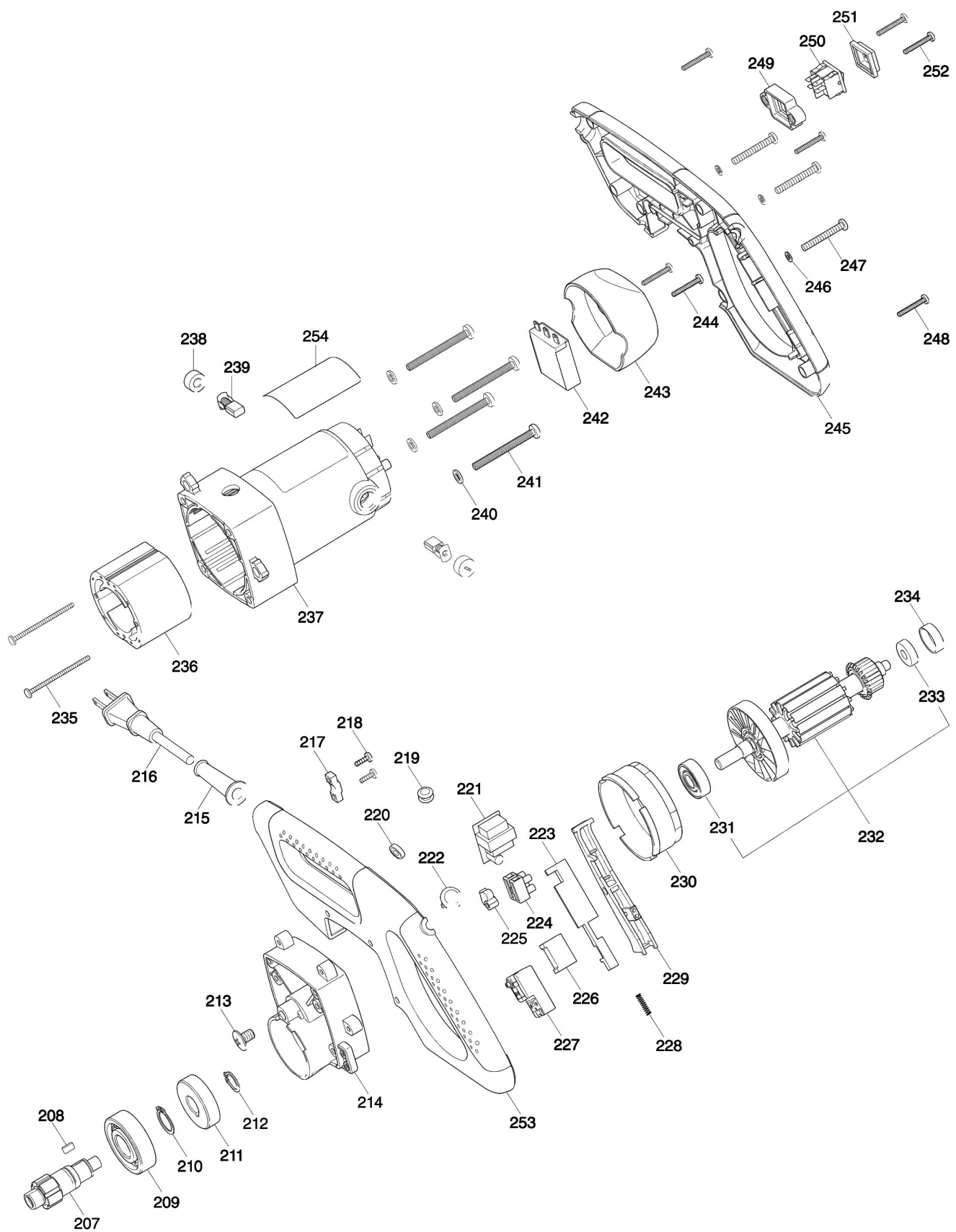
| Nr. | Part nr. | Name |
|-------|------------|--------------------------------|
| 076 | JM23100055 | Sluitring 10X26X2,5Mm Ls1017L |
| 077 | JM23100054 | Glijlager Ls1017L |
| 078 | JM23100055 | Sluitring 10X26X2,5Mm Ls1017L |
| 079 | JM23500086 | Armhouder Kap Ls0815 |
| 080 | JM23100007 | Sluitring 5Mm LS1018L |
| 081 | JM23100006 | Metaalschroef M5X20 Ls1017L |
| 082 | JM23100019 | Metaalschroef M4X18 LS1018L |
| 083 | JM23100016 | Sluitring 4Mm LS1018L A |
| 084 | JM23500087 | Vastzethandel LS0815 |
| 085 | JM23500088 | Moer Ls0815 |
| 086 | JM23500081 | Met.Schr. M5 Ls0815 |
| 087 | JM23100007 | Sluitring 5Mm LS1018L |
| 088 | JM23100149 | Veerring 5Mm Ls1017L |
| 089 | JM23500082 | Afdekkap Ls0815 |
| 090 | JM23500083 | Keerring Ls0815 |
| 091 | JM23500084 | Pasring Ls0815 |
| 092 | JM23500083 | Keerring Ls0815 |
| 093 | JM23500082 | Afdekkap Ls0815 |
| 096 | JM23500081 | Met.Schr. M5 Ls0815 |
| 099 | JM23100072 | Trekontlaster Ls1017L |
| 100 | JM23500066 | Kabelhouderklem Ls0815 |
| 101 | JM23500081 | Met.Schr. M5 Ls0815 |
| 102 | JM23100149 | Veerring 5Mm Ls1017L |
| 103 | JM23100007 | Sluitring 5Mm LS1018L |
| 104 | JM23100007 | Sluitring 5Mm LS1018L |
| 105 | JM23500081 | Met.Schr. M5 Ls0815 |
| 106 | JM23100149 | Veerring 5Mm Ls1017L |
| 107 | JM23500085 | Glijstangsteun Ls0815 |
| 108 | JM23100091 | Sleutelhouder Ls1017L |
| 109 | JM23100016 | Sluitring 4Mm LS1018L A |
| 110 | JM23100015 | Veerring 4Mm Ls1017L P |
| 111 | JM23100033 | Metaalschroef M4X12 LS0815FL P |
| 111-1 | JM23100033 | Metaalschroef M4X12 LS0815FL P |
| 113 | JM23100103 | Borgring Ls1017L |
| 114 | JM23100102 | Roller Ls1017L |
| 115 | JM23500031 | Slotbout M5X12 Ls0815 |
| 116 | JM23510004 | Verende Beschermkap LS0815 P |
| 116A | JM23500032 | VERENDE BESCHERMKAP LS0815 P |
| 116B | JM23500033 | STEUN LS0815 P |
| 116C | JM23100104 | Sluitring 5Mm Ls1017L P |
| 116D | JM23100101 | Klinknagel Ls1018L |
| 117 | JM23500035 | Veer Tbv Zaagkap Ls0815 |
| 118 | JM23100112 | Inbusbout Ls1017L |
| 119 | JM23100113 | Schroef Ls1017L |
| 120 | JM23500036 | Zaagkapplaat Ls0815 |
| 121 | JM23500037 | Centreerplaat Ls0815 |

| Nr. | Part nr. | Name |
|-------|------------|--------------------------------|
| 122 | JM23100007 | Sluitring 5Mm LS1018L |
| 123 | JM23100141 | Borgmoer M5 Ls1017L P |
| 124 | JM23500135 | Bout Tbv Zaagflens Ls0815 |
| 125 | JM23500038 | Zaagbladflens Ls0815 |
| 126 | JM23100144 | Verloopring LS0815FL |
| 128 | JM23500039 | Stofgeleider Ls0815 |
| 129 | JM23100193 | Pin C Ls1017L |
| 129-1 | JM23500040 | Parker 4,2x12mm LS0815 |
| 130 | JM23100193 | Pin C Ls1017L |
| 130-1 | JM23500040 | Parker 4,2x12mm LS0815 |
| 131 | JM23500034 | Met.Schr. M Ls0815 |
| 132 | JM23510005 | Vastezaagkap Ls0815 |
| 132A | JM23500046 | VASTEZAAGKAP LS0815 P |
| 132B | JM23100114 | Pin Ls1017L |
| 132C | JM23100147 | Aanslagdop Ls1017L |
| 133 | JM23500047 | Zaagkapinzet Ls0815 |
| 134 | JM23100016 | Sluitring 4Mm LS1018L A |
| 135 | JM23100015 | Veerring 4Mm Ls1017L P |
| 136 | JM23100033 | Metaalschroef M4X12 LS0815FL P |
| 137 | JM23500048 | Blokkeerplaat Ls0815 |
| 137-1 | JM23100033 | Metaalschroef M4X12 LS0815FL P |
| 138 | JM23100138 | Afdekkap Ls1017L |
| 139 | JM23500139 | Blokkeerplaat Ls0815 A |
| 139-1 | JM23500139 | Blokkeerplaat Ls0815 A |
| 140 | JM23500049 | Drukveer 5Mm Ls0815 |
| 141 | JM23100119 | Stelbout Ls1017L |
| 142 | JM23100035 | Borgring LS1018L |
| 143 | JM23500051 | Moerbout M6X25 Ls0815 |
| 144 | JM23100035 | Borgring LS1018L |
| 145 | JM23500052 | Stelschroef Ls0815 |
| 146 | JM23100098 | Verbindingsbus Ls1017L |
| 147 | JM23510003 | Hefboom Assy Ls0815 |
| 147A | JM23500028 | HEFBOOM LS0815 P |
| 147B | JM23500029 | GELEIDINGSPIN LS0815 P |
| 147C | 211157-4 | Kogellager 695ZZ A |
| 148 | JM23100071 | Sluitring 6Mm Ls1017L |
| 149 | JM23100115 | Borgring R-5 Ls1017L |
| 150 | JM23500027 | Borgmoer Ls0815 |
| 151 | JM23100071 | Sluitring 6Mm Ls1017L |
| 152 | JM23100098 | Verbindingsbus Ls1017L |
| 153 | JM23500055 | Montageplaat Ls0815 |
| 154 | JM23500054 | Slotbout M6X14Mm Ls0815 |
| 155 | JM23500071 | Inbusbout Ck M6X12 Ls0815 |
| 156 | JM23100151 | Veerring 6Mm Ls1017L |
| 157 | JM23100190 | Revet 6Mm Ls1017L |
| 158 | JM23500056 | Met.Schr. M4X28Mm Ls0815 |

| Nr. | Part nr. | Name |
|-------|------------|-----------------------------|
| 159 | JM23100016 | Sluitring 4Mm LS1018L A |
| 160 | JM23500057 | Lampkap Ls0815 |
| 161 | JM23500058 | Lens Ls0815 |
| 162 | JM23500059 | Pakkingring Ls0815 * |
| 163 | JM23510006 | Lamp Assy Ls0815 |
| 163A | JM23500060 | REFLECTOR LS0815 P |
| 163B | JM23500061 | LAMP LS0815 P |
| 164 | JM23500128 | Sluitring 3Mm Ls0815 |
| 165 | JM23500062 | Parker 9X13Mm Ls0815 |
| 166 | JM23100019 | Metaalschroef M4X18 LS1018L |
| 167 | JM23100016 | Sluitring 4Mm LS1018L A |
| 168 | JM23100072 | Trekontlaster Ls1017L |
| 169 | JM23500066 | Kabelhouderklem Ls0815 |
| 170 | JM23500008 | Met.Schr. M4X10Mm Ls0815 |
| 171 | JM23100016 | Sluitring 4Mm LS1018L A |
| 172 | JM23500077 | Afdekkap Ls0815 |
| 173 | JM23510007 | Glijarm Assy Ls0815 |
| 173A | JM23500074 | GLIJARM LS0815 P |
| 173B | JM23500075 | Pin 5Mm Ls0815FI* |
| 173C | JM23500076 | AFDEKKAP LS0815 P |
| 173D | JM23180059 | Label Veiligheid Ls1017L |
| 174 | JM23500064 | Verbindingsas Ls0815FI |
| 175 | JM23500072 | Veer 32 Ls0815 |
| 176 | JM23500022 | Revet 8Mm Ls0815 |
| 177 | JM23500071 | Inbusbout Ck M6X12 Ls0815 |
| 178 | JM23100097 | Pinkap Ls1017L |
| 179 | JM23500065 | Veersteun Ls0815FI |
| 180 | JM23500063 | Ondersteuningspen Ls0815FI |
| 181 | JM23500070 | Laser Ls0815FI |
| 182 | JM23500068 | Inbusbout Ck M4X8 LS0815 P |
| 183 | JM23500069 | Stelschroef Ls0815 |
| 184 | JM23100016 | Sluitring 4Mm LS1018L A |
| 185 | JM23500067 | Laser Afstelplaat Ls0815FI |
| 186 | JM23100016 | Sluitring 4Mm LS1018L A |
| 187 | JM23100146 | Inbusbout M4X10 LS1018L B |
| 188 | JM23500073 | Laser Afstelplaat Ls0815FI |
| 189 | JM23100093 | Pin Ls1017L P |
| 189-1 | JM23100193 | Pin C Ls1017L |
| 190 | JM23100150 | Pakkingring Ls1017L |
| 191 | JM23100096 | Diepte-Instelbout Ls1017L |
| 192 | JM23100060 | Sluitring 8Mm Ls1017L |
| 193 | JM23100094 | Veerring Ls1017L |
| 194 | JM23100092 | Diepte-Instelplaat Ls1017L |
| 195 | JM23500041 | Inbusbout Ck M6X40 Ls0815 |
| 196 | JM23100151 | Veerring 6Mm Ls1017L |
| 197 | JM23100190 | Revet 6Mm Ls1017L |

| Nr. | Part nr. | Name |
|-------|------------|--------------------------------|
| 207 | JM23500103 | Aandrijfas Ls0815FI |
| 208 | JM23100156 | Spie 5X10Mm Ls1017L |
| 209 | JM23100157 | Kogellager 6304 P |
| 210 | JM23100158 | Borgring R-20 Ls1017L |
| 211 | JM23500104 | Tandwiel Ls0815FI |
| 212 | JM23100160 | Borgring E-16 Ls1017L |
| 213 | JM23100161 | Borgschroef M8X12Mm Ls1017L |
| 214 | JM23510011 | Tandwielhuis Cmpl. Ls0815FI |
| 214A | JM23500105 | TANDWIELHUIS LS0815FL P |
| 214B | JM23100162 | Bus Ls1017L |
| 215 | JM23100165 | Kabeltule Ls1017L |
| 216 | 665383-1 | Netsnoer 2X1.00 2.2Mtr A |
| 217 | JM23100166 | Trekontaster Ls1017L |
| 218 | JM23100193 | Pin C Ls1017L |
| 218-1 | JM23500040 | Parker 4,2x12mm LS0815 |
| 219 | JM23500108 | Beschermhuls Ls0815FI |
| 220 | JM23500133 | Magneet Ring Ls0815FI |
| 221 | JM23500109 | Transformator Ls0815FI |
| 222 | JM23100177 | Deblokkeerknop Ls1017L |
| 223 | JM23100175 | Schakelplaat Ls1017L |
| 224 | JM23100171 | Contactpunt Ls1017L |
| 225 | JM23100173 | Schakelaarsteun Ls1017L |
| 226 | JM23100169 | Ontstorings Condensator Ls1017 |
| 227 | JM23100179 | Schakelaar Ls1017L |
| 228 | JM23100176 | Schakelaarveer Ls1017L |
| 229 | JM23100174 | Schakelhandel Ls1017L |
| 230 | JM23500110 | Stofring Ls0815FI |
| 231 | 211129-9 | Kogellager 6201Ddw P |
| 232 | JM23500001 | Anker Ls0815FI |
| 233 | JM23500111 | Kogellager 608 Ls0815FI |
| 234 | JM23500112 | Demping Ring Ls0815FI |
| 235 | JM23500113 | Met.Schr. M4.2X65 Ls0815 |
| 236 | JM23500004 | Veld Ls0815FI |
| 237 | JM23510012 | Motorhuis Cmpl. Ls0815FI |
| 237A | JM23500114 | MOTORHUIS LS0815FL P |
| 237B | JM23500115 | Koolborstelhouder Ls0815FI |
| 237C | JM23100185 | Inbusbout M5X8 Ls1017L* |
| 237D | JM23180057 | Label Veiligheid Ls1017L |
| 237E | JM23180056 | Label Veiligheid Ls0815FI |
| 238 | JM23500116 | Koolborsteldop Ls0815FI |
| 239 | JM23500117 | Koolborstel Set Ls0815FI |
| 240 | JM23100190 | Revet 6Mm Ls1017L |
| 241 | JM23500118 | Parker M6X60Mm Ls0815 |
| 242 | JM23100186 | Soft Start Circuit Ls1017L |
| 243 | JM23500119 | Motorhuisdeksel Ls0815FI |
| 244 | JM23100167 | Parker M4X16MM LS0815FL |

| Nr. | Part nr. | Name |
|------------|-----------------|-----------------------------|
| 245 | JM23500121 | Handgreepdeksel Re Ls0815FI |
| 246 | JM23100007 | Sluitring 5Mm LS1018L |
| 247 | JM23500123 | Parker M5X40Mm Ls0815 |
| 248 | JM23100167 | Parker M4X16MM LS0815FL |
| 249 | JM23500124 | Schakelaarsteun Ls0815FI |
| 250 | JM23500125 | Schakelaar Ls0815FI |
| 251 | JM23500126 | Schakelkap Ls0815FI |
| 252 | JM23500120 | Met.Schr. M4.2X28 Ls0815 |
| 253 | JM23500107 | Handgreepdeksel Li Ls0815FI |
| 254 | JM23580018 | Naamplaat Ls0815FI* |
| 255 | JM00000038 | Tafelverbreder houder |



| Nr. | Part nr. | Name |
|--------|------------|--------------------------------|
| 001 | JM23500132 | Voetdop Ls0815FI |
| 002 | JM23000127 | Tafelverbreder |
| 003 | JM23100016 | Sluitring 4Mm LS1018L A |
| 004 | JM23500008 | Met.Schr. M4X10Mm Ls0815 |
| 005 | JM23500009 | Centreerbout Ls0815 |
| 006 | JM23510001 | Voettafel Ls0815 |
| 006C10 | JM23500010 | Schaalverdeling Ls815 |
| 006C20 | JM2708A060 | Label Waarschuwing Ls1017L |
| 006C30 | JM23500011 | VOETTAFEL LS0815 P |
| 006C40 | JM2318A058 | Label Waarschuwing Ls815 |
| 007 | JM00000074 | Schroef 6X20 |
| 008 | JM23100025 | Houder Ls1017L |
| 009 | JM23100020 | Vergrendelplaat B Ls1017L |
| 010 | JM23100016 | Sluitring 4Mm LS1018L A |
| 011 | JM23100015 | Veerring 4Mm Ls1017L P |
| 012 | JM23100033 | Metaalschroef M4X12 LS0815FL P |
| 012-1 | JM23100033 | Metaalschroef M4X12 LS0815FL P |
| 013 | JM23100018 | Vergrendelplaat A Ls1017L |
| 014 | JM23100016 | Sluitring 4Mm LS1018L A |
| 015 | JM23100015 | Veerring 4Mm Ls1017L P |
| 016 | JM23100033 | Metaalschroef M4X12 LS0815FL P |
| 016-1 | JM23100033 | Metaalschroef M4X12 LS0815FL P |
| 017 | JM23100023 | Drukplaat Ls1017L |
| 018 | JM23100021 | Borgveer Ls1017L |
| 019 | JM23100022 | Blokkeerpen Ls1017L |
| 020 | JM23500015 | Blokkeeras B Ls0815FI |
| 021 | JM23500014 | Drukveer Ls0815FI |
| 022 | JM23500013 | Stelschroef Ls0815FI |
| 023 | JM23100027 | Blokkeerhandel Ls1017L |
| 024 | JM23500016 | Blokkeeras A Ls0815FI |
| 025 | JM23500012 | Glijplaat Ls0815FI |
| 026 | JM23510002 | Draaiplateau Ls0815FI |
| 026A | JM23500017 | Label Schaalverd Ls0815FI |
| 026B | JM23500018 | Blokkeeras LS0815FL |
| 026C | JM23500019 | DRAAIPLATEAU LS0815FL P |
| 026D | JM23500020 | Pin 4X30Mm LS0815 |
| 026E | JM23500021 | Moer M10 Ls0815 |
| 027 | JM23500008 | Met.Schr. M4X10Mm Ls0815 |
| 028 | JM23100016 | Sluitring 4Mm LS1018L A |
| 029 | JM23100030 | Markeerpunt Ls1017L |
| 030 | JM23500053 | Kartelring 4Mm Ls0815 |
| 031 | JM23100034 | Inbusbout M6X28 LS1018L |
| 032 | JM23500023 | Borgmoer M8 Ls0815 |
| 033 | JM23500022 | Revet 8Mm Ls0815 |
| 034 | JM23100035 | Borgring LS1018L |
| 035 | JM23500008 | Met.Schr. M4X10Mm Ls0815 |

| Nr. | Part nr. | Name |
|-------|------------|--------------------------------|
| 036 | JM23100029 | Inzaagplaat Ls1017L P |
| 039 | JM23100013 | Sterknop Ls1017L |
| 040 | JM00000081 | Achteraanslag |
| 041 | JM23100062 | Inbusbout M8X30 Ls1017L |
| 042 | JM23100061 | Veerring 8Mm Ls1017L P |
| 043 | JM23100060 | Sluitring 8Mm Ls1017L |
| 044 | JM00000080 | Aanslag Assy L0815 |
| 044A | JM23500127 | AANSLAG L0815 P |
| 044B | JM23580063 | Label Waarsch Ls0815 |
| 045 | JM23100065 | Metaalschroef M4X8 Ls1017L |
| 046 | JM23100015 | Veerring 4Mm Ls1017L P |
| 047 | JM23100016 | Sluitring 4Mm LS1018L A |
| 048 | JM23500024 | Spie Ls0815 |
| 049 | JM23500095 | Aanslagblok 45Gr Ls0815 |
| 050 | JM23100007 | Sluitring 5Mm LS1018L |
| 051 | JM23100149 | Veerring 5Mm Ls1017L |
| 052 | JM23500096 | Inbusbout M5X14Mm Ls0815 |
| 053 | JM23100016 | Sluitring 4Mm LS1018L A |
| 054 | JM23100015 | Veerring 4Mm Ls1017L P |
| 055 | JM23500008 | Met.Schr. M4X10Mm Ls0815 |
| 056 | JM23500097 | Aanslagkap 45Gr Ls0815 |
| 057 | JM23500094 | Veer 8Mm Ls0815 |
| 058 | JM23500093 | Plaat 45Gr Ls0815 |
| 059 | JM23100051 | Borgpen Ls1017L |
| 060 | JM23100049 | Drukveer Ls1017L |
| 061 | JM23100052 | Klemplaat Ls1017L |
| 062 | JM23510008 | Armhouder Assy Ls0815 |
| 062A | JM23100087 | Borgschroef M6X8 Ls1017L |
| 062B | JM23500089 | Linear Lager Ls0815 |
| 062C | JM23100081 | Dempingsbuffer Ls1017L |
| 062D | JM23500090 | ARMHOUDER LS0815 P |
| 062F | JM23500092 | Keerring Ls0815 |
| 063 | JM23500079 | Borgring E-8 |
| 064 | JM23500078 | Glijplaat Ls0815 * |
| 065 | JM23100033 | Metaalschroef M4X12 LS0815FL P |
| 065-1 | JM23100033 | Metaalschroef M4X12 LS0815FL P |
| 066 | JM23100016 | Sluitring 4Mm LS1018L A |
| 067 | JM23100048 | Markeerpunt Ls1017L |
| 068 | JM23500053 | Kartelring 4Mm Ls0815 |
| 069 | JM23500080 | Aanslag 90Gr Ls0815 |
| 070 | JM23100086 | Vastzetknop Ls1017L |
| 071 | JM23100190 | Revet 6Mm Ls1017L |
| 072 | JM23100088 | Drukveer Ls1017L |
| 073 | JM23100010 | Sluitring 10Mm Ls1017L |
| 074 | JM23100009 | Borgmoer M10 Ls1017L |
| 075 | JM23100053 | Komplaat Ls1017L |

| Nr. | Part nr. | Name |
|-------|------------|--------------------------------|
| 076 | JM23100055 | Sluitring 10X26X2,5Mm Ls1017L |
| 077 | JM23100054 | Glijlager Ls1017L |
| 078 | JM23100055 | Sluitring 10X26X2,5Mm Ls1017L |
| 079 | JM23500086 | Armhouder Kap Ls0815 |
| 080 | JM23100007 | Sluitring 5Mm LS1018L |
| 081 | JM23100006 | Metaalschroef M5X20 Ls1017L |
| 082 | JM23100019 | Metaalschroef M4X18 LS1018L |
| 083 | JM23100016 | Sluitring 4Mm LS1018L A |
| 084 | JM23500087 | Vastzethandel LS0815 |
| 085 | JM23500088 | Moer Ls0815 |
| 086 | JM23500081 | Met.Schr. M5 Ls0815 |
| 087 | JM23100007 | Sluitring 5Mm LS1018L |
| 088 | JM23100149 | Veerring 5Mm Ls1017L |
| 089 | JM23500082 | Afdekkap Ls0815 |
| 090 | JM23500083 | Keerring Ls0815 |
| 091 | JM23500084 | Pasring Ls0815 |
| 092 | JM23500083 | Keerring Ls0815 |
| 093 | JM23500082 | Afdekkap Ls0815 |
| 096 | JM23500081 | Met.Schr. M5 Ls0815 |
| 099 | JM23100072 | Trekontlaster Ls1017L |
| 100 | JM23500066 | Kabelhouderklem Ls0815 |
| 101 | JM23500081 | Met.Schr. M5 Ls0815 |
| 102 | JM23100149 | Veerring 5Mm Ls1017L |
| 103 | JM23100007 | Sluitring 5Mm LS1018L |
| 104 | JM23100007 | Sluitring 5Mm LS1018L |
| 105 | JM23500081 | Met.Schr. M5 Ls0815 |
| 106 | JM23100149 | Veerring 5Mm Ls1017L |
| 107 | JM23500085 | Glijstangsteun Ls0815 |
| 108 | JM23100091 | Sleutelhouder Ls1017L |
| 109 | JM23100016 | Sluitring 4Mm LS1018L A |
| 110 | JM23100015 | Veerring 4Mm Ls1017L P |
| 111 | JM23100033 | Metaalschroef M4X12 LS0815FL P |
| 111-1 | JM23100033 | Metaalschroef M4X12 LS0815FL P |
| 113 | JM23100103 | Borgring Ls1017L |
| 114 | JM23100102 | Roller Ls1017L |
| 115 | JM23500031 | Slotbout M5X12 Ls0815 |
| 116 | JM23510004 | Verende Beschermkap LS0815 P |
| 116A | JM23500032 | VERENDE BESCHERMKAP LS0815 P |
| 116B | JM23500033 | STEUN LS0815 P |
| 116C | JM23100104 | Sluitring 5Mm Ls1017L P |
| 116D | JM23100101 | Klinknagel Ls1018L |
| 117 | JM23500035 | Veer Tbv Zaagkap Ls0815 |
| 118 | JM23100112 | Inbusbout Ls1017L |
| 119 | JM23100113 | Schroef Ls1017L |
| 120 | JM23500036 | Zaagkapplaat Ls0815 |
| 121 | JM23500037 | Centreerplaat Ls0815 |

| Nr. | Part nr. | Name |
|-------|------------|--------------------------------|
| 122 | JM23100007 | Sluitring 5Mm LS1018L |
| 123 | JM23100141 | Borgmoer M5 Ls1017L P |
| 124 | JM23500135 | Bout Tbv Zaagflens Ls0815 |
| 125 | JM23500038 | Zaagbladflens Ls0815 |
| 126 | JM23100144 | Verloopring LS0815FL |
| 128 | JM23500039 | Stofgeleider Ls0815 |
| 129 | JM23100193 | Pin C Ls1017L |
| 129-1 | JM23500040 | Parker 4,2x12mm LS0815 |
| 130 | JM23100193 | Pin C Ls1017L |
| 130-1 | JM23500040 | Parker 4,2x12mm LS0815 |
| 131 | JM23500034 | Met.Schr. M Ls0815 |
| 132 | JM23510005 | Vastezaagkap Ls0815 |
| 132A | JM23500046 | VASTEZAAGKAP LS0815 P |
| 132B | JM23100114 | Pin Ls1017L |
| 132C | JM23100147 | Aanslagdop Ls1017L |
| 133 | JM23500047 | Zaagkapinzet Ls0815 |
| 134 | JM23100016 | Sluitring 4Mm LS1018L A |
| 135 | JM23100015 | Veerring 4Mm Ls1017L P |
| 136 | JM23100033 | Metaalschroef M4X12 LS0815FL P |
| 137 | JM23500048 | Blokkeerplaat Ls0815 |
| 137-1 | JM23100033 | Metaalschroef M4X12 LS0815FL P |
| 138 | JM23100138 | Afdekkap Ls1017L |
| 139 | JM23500139 | Blokkeerplaat Ls0815 A |
| 139-1 | JM23500139 | Blokkeerplaat Ls0815 A |
| 140 | JM23500049 | Drukveer 5Mm Ls0815 |
| 141 | JM23100119 | Stelbout Ls1017L |
| 142 | JM23100035 | Borgring LS1018L |
| 143 | JM23500051 | Moerbout M6X25 Ls0815 |
| 144 | JM23100035 | Borgring LS1018L |
| 145 | JM23500052 | Stelschroef Ls0815 |
| 146 | JM23100098 | Verbindingsbus Ls1017L |
| 147 | JM23510003 | Hefboom Assy Ls0815 |
| 147A | JM23500028 | HEFBOOM LS0815 P |
| 147B | JM23500029 | GELEIDINGSPIN LS0815 P |
| 147C | 211157-4 | Kogellager 695ZZ A |
| 148 | JM23100071 | Sluitring 6Mm Ls1017L |
| 149 | JM23100115 | Borgring R-5 Ls1017L |
| 150 | JM23500027 | Borgmoer Ls0815 |
| 151 | JM23100071 | Sluitring 6Mm Ls1017L |
| 152 | JM23100098 | Verbindingsbus Ls1017L |
| 153 | JM23500055 | Montageplaat Ls0815 |
| 154 | JM23500054 | Slotbout M6X14Mm Ls0815 |
| 155 | JM23500071 | Inbusbout Ck M6X12 Ls0815 |
| 156 | JM23100151 | Veerring 6Mm Ls1017L |
| 157 | JM23100190 | Revet 6Mm Ls1017L |
| 158 | JM23500056 | Met.Schr. M4X28Mm Ls0815 |

| Nr. | Part nr. | Name |
|-------|------------|-----------------------------|
| 159 | JM23100016 | Sluitring 4Mm LS1018L A |
| 160 | JM23500057 | Lampkap Ls0815 |
| 161 | JM23500058 | Lens Ls0815 |
| 162 | JM23500059 | Pakkingring Ls0815 * |
| 163 | JM23510006 | Lamp Assy Ls0815 |
| 163A | JM23500060 | REFLECTOR LS0815 P |
| 163B | JM23500061 | LAMP LS0815 P |
| 164 | JM23500128 | Sluitring 3Mm Ls0815 |
| 165 | JM23500062 | Parker 9X13Mm Ls0815 |
| 166 | JM23100019 | Metaalschroef M4X18 LS1018L |
| 167 | JM23100016 | Sluitring 4Mm LS1018L A |
| 168 | JM23100072 | Trekontlaster Ls1017L |
| 169 | JM23500066 | Kabelhouderklem Ls0815 |
| 170 | JM23500008 | Met.Schr. M4X10Mm Ls0815 |
| 171 | JM23100016 | Sluitring 4Mm LS1018L A |
| 172 | JM23500077 | Afdekkap Ls0815 |
| 173 | JM23510007 | Glijarm Assy Ls0815 |
| 173A | JM23500074 | GLIJARM LS0815 P |
| 173B | JM23500075 | Pin 5Mm Ls0815FI* |
| 173C | JM23500076 | AFDEKKAP LS0815 P |
| 173D | JM23180059 | Label Veiligheid Ls1017L |
| 174 | JM23500064 | Verbindingsas Ls0815FI |
| 175 | JM23500072 | Veer 32 Ls0815 |
| 176 | JM23500022 | Revet 8Mm Ls0815 |
| 177 | JM23500071 | Inbusbout Ck M6X12 Ls0815 |
| 178 | JM23100097 | Pinkap Ls1017L |
| 179 | JM23500065 | Veersteun Ls0815FI |
| 180 | JM23500063 | Ondersteuningspen Ls0815FI |
| 181 | JM23500070 | Laser Ls0815FI |
| 182 | JM23500068 | Inbusbout Ck M4X8 LS0815 P |
| 183 | JM23500069 | Stelschroef Ls0815 |
| 184 | JM23100016 | Sluitring 4Mm LS1018L A |
| 185 | JM23500067 | Laser Afstelplaat Ls0815FI |
| 186 | JM23100016 | Sluitring 4Mm LS1018L A |
| 187 | JM23100146 | Inbusbout M4X10 LS1018L B |
| 188 | JM23500073 | Laser Afstelplaat Ls0815FI |
| 189 | JM23100093 | Pin Ls1017L P |
| 189-1 | JM23100193 | Pin C Ls1017L |
| 190 | JM23100150 | Pakkingring Ls1017L |
| 191 | JM23100096 | Diepte-Instelbout Ls1017L |
| 192 | JM23100060 | Sluitring 8Mm Ls1017L |
| 193 | JM23100094 | Veerring Ls1017L |
| 194 | JM23100092 | Diepte-Instelplaat Ls1017L |
| 195 | JM23500041 | Inbusbout Ck M6X40 Ls0815 |
| 196 | JM23100151 | Veerring 6Mm Ls1017L |
| 197 | JM23100190 | Revet 6Mm Ls1017L |

| Nr. | Part nr. | Name |
|-------|------------|--------------------------------|
| 207 | JM23500103 | Aandrijfas Ls0815FI |
| 208 | JM23100156 | Spie 5X10Mm Ls1017L |
| 209 | JM23100157 | Kogellager 6304 P |
| 210 | JM23100158 | Borgring R-20 Ls1017L |
| 211 | JM23500104 | Tandwiel Ls0815FI |
| 212 | JM23100160 | Borgring E-16 Ls1017L |
| 213 | JM23100161 | Borgschroef M8X12Mm Ls1017L |
| 214 | JM23510011 | Tandwielhuis Cmpl. Ls0815FI |
| 214A | JM23500105 | TANDWIELHUIS LS0815FL P |
| 214B | JM23100162 | Bus Ls1017L |
| 215 | JM23100165 | Kabeltule Ls1017L |
| 216 | 665383-1 | Netsnoer 2X1.00 2.2Mtr A |
| 217 | JM23100166 | Trekontaster Ls1017L |
| 218 | JM23100193 | Pin C Ls1017L |
| 218-1 | JM23500040 | Parker 4,2x12mm LS0815 |
| 219 | JM23500108 | Beschermhuls Ls0815FI |
| 220 | JM23500133 | Magneet Ring Ls0815FI |
| 221 | JM23500109 | Transformator Ls0815FI |
| 222 | JM23100177 | Deblokkeerknop Ls1017L |
| 223 | JM23100175 | Schakelplaat Ls1017L |
| 224 | JM23100171 | Contactpunt Ls1017L |
| 225 | JM23100173 | Schakelaarsteun Ls1017L |
| 226 | JM23100169 | Ontstorings Condensator Ls1017 |
| 227 | JM23100179 | Schakelaar Ls1017L |
| 228 | JM23100176 | Schakelaarveer Ls1017L |
| 229 | JM23100174 | Schakelhandel Ls1017L |
| 230 | JM23500110 | Stofring Ls0815FI |
| 231 | 211129-9 | Kogellager 6201Ddw P |
| 232 | JM23500001 | Anker Ls0815FI |
| 233 | JM23500111 | Kogellager 608 Ls0815FI |
| 234 | JM23500112 | Demping Ring Ls0815FI |
| 235 | JM23500113 | Met.Schr. M4.2X65 Ls0815 |
| 236 | JM23500004 | Veld Ls0815FI |
| 237 | JM23510012 | Motorhuis Cmpl. Ls0815FI |
| 237A | JM23500114 | MOTORHUIS LS0815FL P |
| 237B | JM23500115 | Koolborstelhouder Ls0815FI |
| 237C | JM23100185 | Inbusbout M5X8 Ls1017L* |
| 237D | JM23180057 | Label Veiligheid Ls1017L |
| 237E | JM23180056 | Label Veiligheid Ls0815FI |
| 238 | JM23500116 | Koolborsteldop Ls0815FI |
| 239 | JM23500117 | Koolborstel Set Ls0815FI |
| 240 | JM23100190 | Revet 6Mm Ls1017L |
| 241 | JM23500118 | Parker M6X60Mm Ls0815 |
| 242 | JM23100186 | Soft Start Circuit Ls1017L |
| 243 | JM23500119 | Motorhuisdeksel Ls0815FI |
| 244 | JM23100167 | Parker M4X16MM LS0815FL |

| Nr. | Part nr. | Name |
|------------|-----------------|-----------------------------|
| 245 | JM23500121 | Handgreepdeksel Re Ls0815FI |
| 246 | JM23100007 | Sluitring 5Mm LS1018L |
| 247 | JM23500123 | Parker M5X40Mm Ls0815 |
| 248 | JM23100167 | Parker M4X16MM LS0815FL |
| 249 | JM23500124 | Schakelaarsteun Ls0815FI |
| 250 | JM23500125 | Schakelaar Ls0815FI |
| 251 | JM23500126 | Schakelkap Ls0815FI |
| 252 | JM23500120 | Met.Schr. M4.2X28 Ls0815 |
| 253 | JM23500107 | Handgreepdeksel Li Ls0815FI |
| 254 | JM23580018 | Naamplaat Ls0815FI* |
| 255 | JM00000038 | Tafelverbreder houder |