

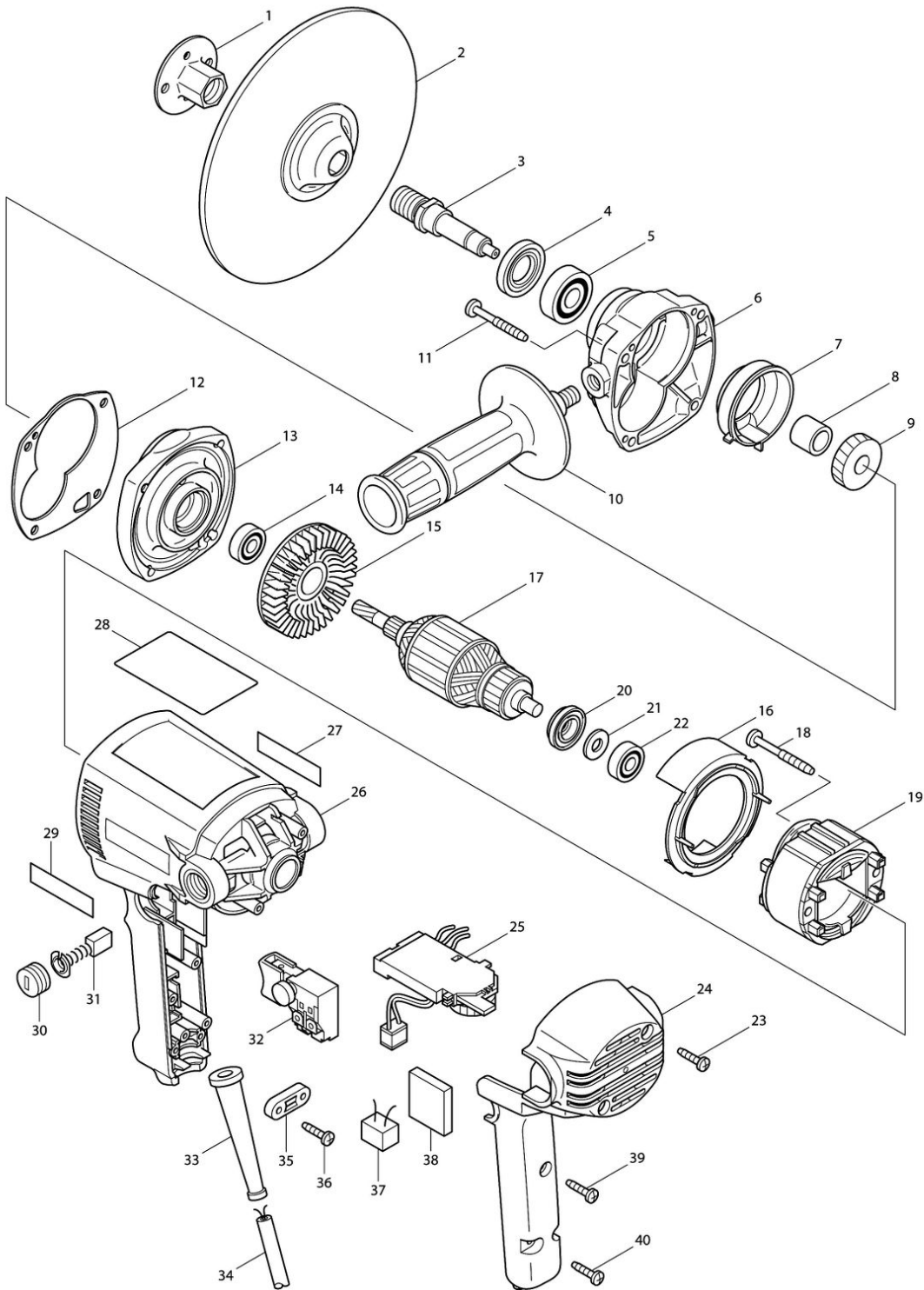
Partdrawing for GV7000C - Rotatieschuurmachine



6/7/2021

MAKITA SERVICE INFORMATION

Model No.GV7000C DISC SANDER 180MM



| Nr. | Part nr. | Name |
|---------|----------|---------------------------------------|
| 001B | 224515-5 | Sluitmoer haakse slijper steunschijf |
| 002 | 743012-7 | Rubber steunschijf 170mm |
| 003B | 324079-0 | As Pv7000C |
| 004 | 152690-6 | Lagerborging Pv7000C* |
| 004C10 | 213209-7 | Keerring 16 |
| 005 | 211129-9 | Kogellager 6201Ddw P |
| 006 | 317458-9 | Tandwielhuis GV7000C |
| 007 | 417460-3 | Smeernippel GV7000C |
| 008 | 257708-9 | Bus 12mm GV7000C |
| 009 | 226537-1 | Tandwiel 39 GV7000C |
| 010 | 152491-2 | Zijhandgreep rotatieschuurmachine M10 |
| 011 | 266211-9 | Tapschroef 5X40Mm |
| 012A | 417837-2 | Pakking Pv7000C * |
| 012B | 417837-2 | Pakking Pv7000C * |
| 013 | 152809-7 | Tandwielhuiskap GV7000C |
| 013C10 | 212016-5 | Naaldlager 609 * |
| 014 | 210005-4 | Kogellager 608Ddw A |
| 015 | 240020-4 | Waaier 65 Pv7000C |
| 016A | 419721-7 | Tussenplaat Pv7000C A |
| 016B | 419721-7 | Tussenplaat Pv7000C A |
| 017A | 516443-1 | Anker assy 240v GV7000C |
| 018 | 266056-5 | PARKER 5X45MM * |
| 019A | 599015-7 | Veld assy 240V GV7000C |
| 019AC10 | 654020-2 | Statorveertje Cb5 |
| 019AC20 | 654501-6 | Klembus 1,25Mm Tbv Stat.Veer P |
| 020 | 681660-3 | Isolatieing Pv7000C |
| 021 | 253139-0 | Sluitring 8X0,5Mm Lc1230 |
| 022 | 210005-4 | Kogellager 608Ddw A |
| 023 | 265995-6 | Tapschroef 4X18 P |
| 024 | 417450-6 | Handgreepdeksel Pv7000C |
| 025A | 631429-5 | Controller GV7000C |
| 026 | 183299-3 | Motorhuisset GV7000C |
| 027 | 819063-3 | Label Makita |
| 028 | 852822-2 | Naamplaat GV7000C |
| 029 | 819063-3 | Label Makita |
| 030A | 643750-0 | KOOLBORSTELHOUDERDOP A |
| 030B | 643515-0 | Koolborstelkap 2107F |
| 031 | 191963-2 | Koolborstel Set Cb-303 P |
| 032A | 651297-0 | Schakelaar Pv7000C 6512970 |
| 033A | 682559-5 | Kabeltule 8-110 A |
| 034C | 695123-3 | Netsnoer 2X1.50 4.0Mtr A |
| 035A | 687053-2 | Klemstrip A |
| 036 | 265995-6 | Tapschroef 4X18 P |
| 037 | 645253-0 | Condensator Voor 9541/9542 A |
| 038 | 685722-9 | Spons Ring 4302C |
| 039 | 265995-6 | Tapschroef 4X18 P |

Partdrawing for GV7000C - Rotatieschuurmachine



| Nr. | Part nr. | Name |
|------------|-----------------|--------------------------|
| 040 | 265995-6 | Tapschroef 4X18 P |
| 041 | 417793-6 | Handbeschermpaat Pv7000C |