

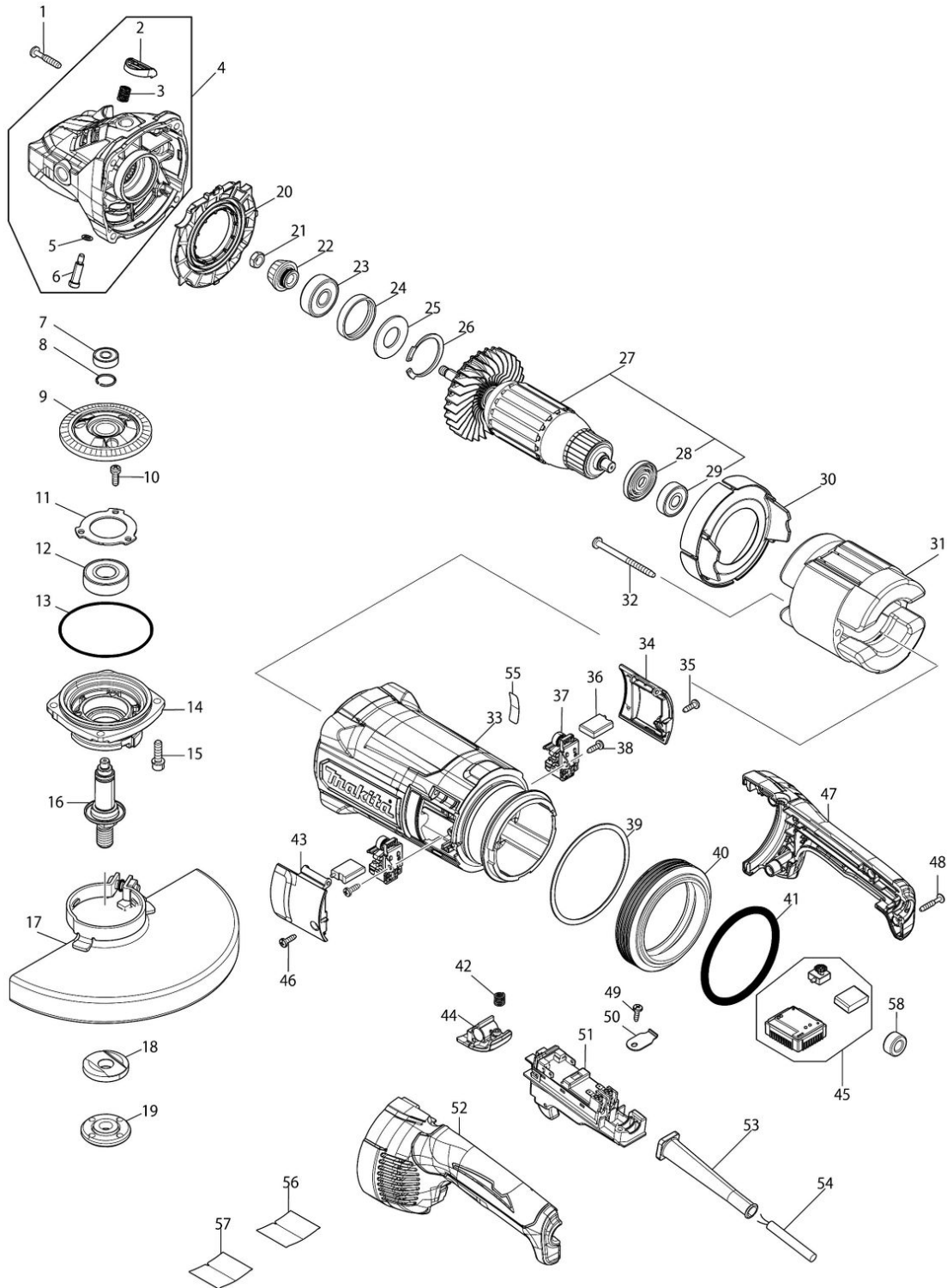
Partdrawing for GA9080X1 - Haakse slijper



6/7/2021

MAKITA SERVICE INFORMATION

Model No.GA9080 230MM ANGLE GRINDER



| Nr. | Part nr. | Name |
|--------|----------|---------------------------------------|
| 001 | 251489-7 | Schroef 5X30Mm Ga7061R |
| 002 | 456247-8 | Pin Kap Ga7061R |
| 003 | 234391-9 | Drukveer 8 Ga7061R |
| 004 | 140Y89-7 | Tandwielhuis GA70/9070 |
| 004C10 | 263002-9 | Rubber Pen 4 6413 A |
| 004C20 | 262118-7 | Viltring 18 Ga7020 |
| 005 | 213026-5 | O-Ring 7 4191D |
| 005-1 | 213A14-8 | O-ring 7 GA9080 |
| 006 | 256571-7 | Kraagpen 7Mm Ga7061R |
| 007 | 211032-4 | KOGELLAGER 608ZZ P |
| 008 | 233946-7 | Borgring 15 Ga7020R |
| 009 | 227890-8 | Tandwiel 53B GA9080/81/082 |
| 010 | 265120-9 | Kruiskopschroef M5X16 Ga7020 |
| 011 | 285741-1 | Borgring 50 GA9060 |
| 012 | 211278-2 | Kogellager 6203 |
| 013 | 213760-7 | O-Ring 78 Ga70-9020/40 |
| 014 | 312B23-1 | Lagerhuis GA7080/81/82 |
| 015 | 265541-5 | Inbusbout M6 Ga7020 |
| 016 | 141D62-4 | As cpl GA7080/81/82 |
| 017 | 122891-0 | Beschermkap 230mm afbramen en schuren |
| 017C10 | 213017-6 | O-Ring 6 Ga9030R A |
| 017C20 | 265158-4 | Kruiskopschroef M8X25 Ga7020 |
| 018 | 122444-5 | Binnenflens haakse slijper "super" |
| 019 | 224485-8 | Sluitmoer haakse slijper |
| 020 | 456238-9 | Waaierplaat Ga7061R |
| 021 | 252194-9 | Moer M8 Ga7020 |
| 022 | 227490-4 | Tandwiel 12 Ga9040S |
| 023 | 211132-0 | Kogellager 6301LLb A |
| 024 | 262085-6 | Rubber Ring 38 9049Sf |
| 025 | 267299-2 | Sluitring 20 Ga7020 |
| 026 | 962211-4 | Borgring R-42 |
| 027 | 511A29-2 | Anker 240V GA7080/81/82 |
| 027C10 | 240161-6 | Waaier 86Mm Ga7061R |
| 028 | 681630-2 | Isolatie ring |
| 029 | 211087-9 | Kogellager 6200Dw P |
| 030 | 456239-7 | Tussenplaat Ga7061R |
| 031 | 627086-5 | Veld 240V GA7080/81/82 |
| 032 | 266038-7 | Tapschroef 5X70Mm |
| 033 | 413595-8 | Motorhuis GA7080/9080 |
| 034 | 456246-0 | Koolborstelkap R Ga9063R A |
| 035 | 266385-6 | Tapschroef 4X14 Ga7020 A |
| 035-1 | 265B74-2 | Tapschr 4x14mm GA9070Y |
| 036 | 191T31-1 | Koolborstelset GA70/9070 |
| 037 | 643715-2 | Koolborstelhouder Ga9063R A |
| 038 | 266385-6 | Tapschroef 4X14 Ga7020 A |
| 038-1 | 265B74-2 | Tapschr 4x14mm GA9070Y |

| Nr. | Part nr. | Name |
|------------|-----------------|-------------------------------|
| 039 | 261169-7 | Sluistring KST 89 GA7080/9080 |
| 040 | 422706-4 | AVT rubber GA7080/9080 |
| 041 | 213924-3 | O-ring 79 GA9080 |
| 042 | 233375-4 | Drukveer 7 Ga7030 |
| 043 | 456245-2 | Koolborstelkap L Ga9063R |
| 044 | 413598-2 | Blokkeerknop GA7080/9080 |
| 045 | 620E20-4 | Controller GA7080/81/82 A |
| 046 | 266385-6 | Tapschroef 4X14 Ga7020 A |
| 046-1 | 265B74-2 | Tapschr 4x14mm GA9070Y |
| 047 | 183T31-5 | Handgreepset GA7080/9080 |
| 048 | 265999-8 | Tapschroef 4X25 P |
| 048-1 | 265B73-4 | Tapschroef 4X25 A |
| 049 | 266385-6 | Tapschroef 4X14 Ga7020 A |
| 049-1 | 265B74-2 | Tapschr 4x14mm GA9070Y |
| 050 | 687169-3 | Trekontlaster Hp1621 |
| 051 | 632F79-5 | Schakelaar Ga7061R |
| 052 | 183T31-5 | Handgreepset GA7080/9080 |
| 053 | 682573-1 | Kabeltule 10 Ga9010C A |
| 054 | 695123-3 | Netsnoer 2X1.50 4.0Mtr A |
| 055 | 811S02-3 | Label serienr GA9080 |
| 056 | 811R98-8 | Naamplaat GA9080 |
| 058 | 688131-1 | Lijn Filter Hm1810 |