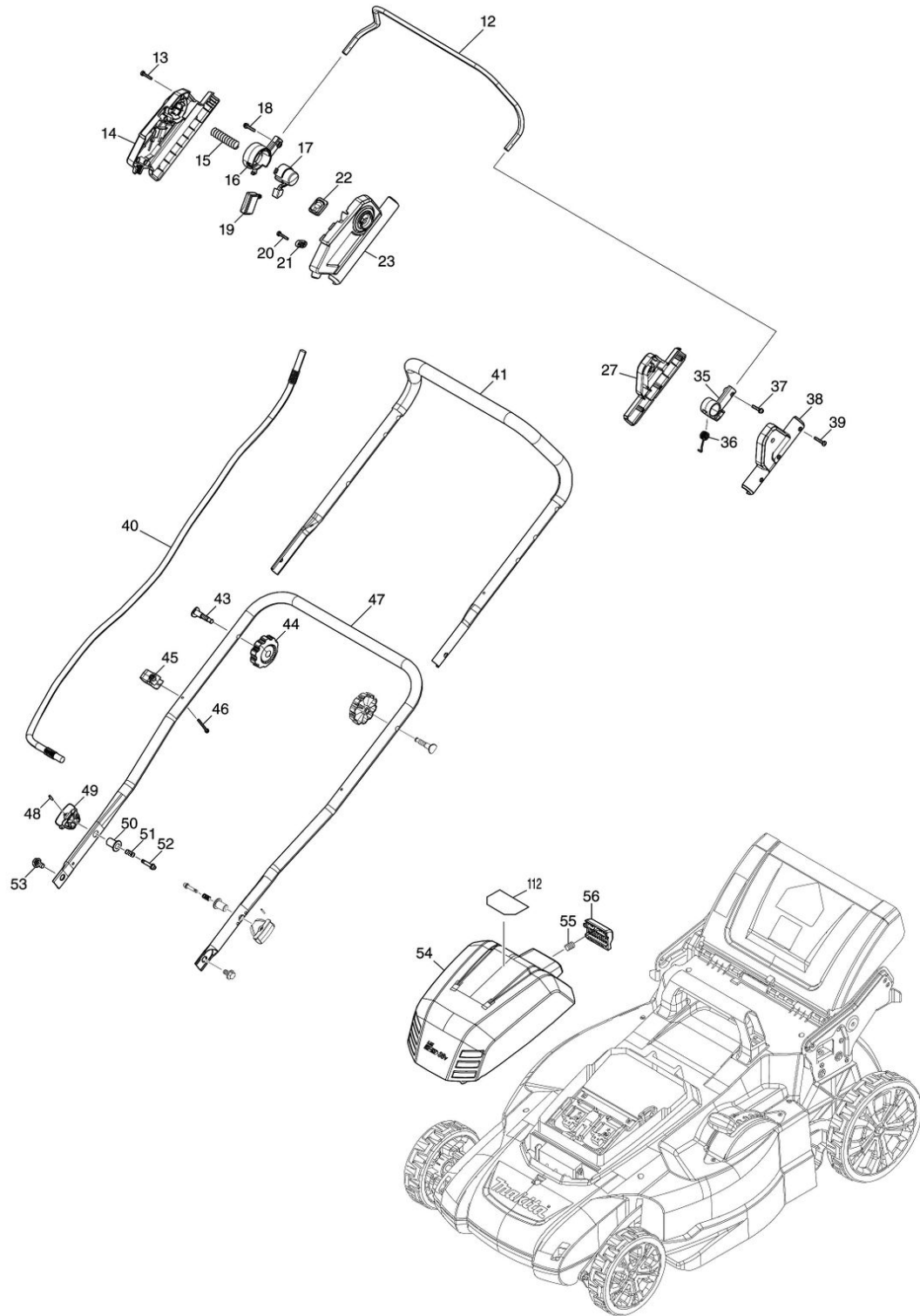


Model No.DLM480 480MM CORDLESS LAWN MOWER



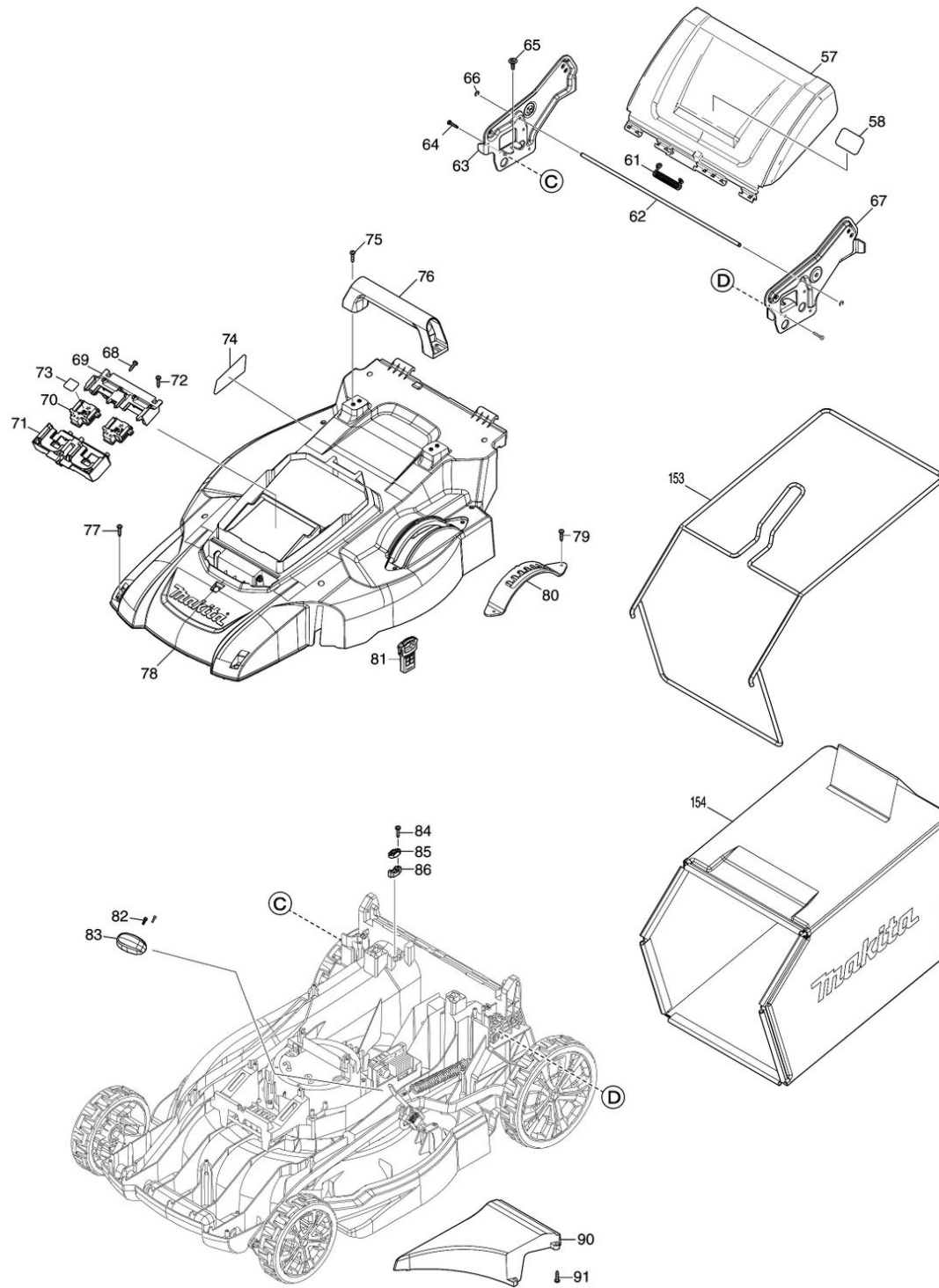
| Nr.    | Part nr. | Name                           |
|--------|----------|--------------------------------|
| 012    | 327424-8 | Schakelhendel DLM532/533       |
| 013    | 266424-2 | Tapschroef 4X20 Tm3000C P      |
| 014    | 183V31-7 | Schakelhuis DLM480/538         |
| 014C10 | 8045G7-5 | Label indicatie DLM480         |
| 015    | 231227-3 | Drukveer 15 DLM460             |
| 016    | 413A99-6 | Schakelh.steun R DML481/539    |
| 017    | 413B00-7 | Vergrendel uit knop DML481/539 |
| 018    | 911138-5 | Schroef 4X20 A                 |
| 019    | 651083-9 | Schakelaar C3Xa-1Pspm Dsp600   |
| 021    | 687123-7 | Trek Ontlaster Mt812 P         |
| 022    | 141H35-1 | Schakel circuit cpl DML481/539 |
| 022C10 | 810D46-0 | Label A/U AS1925               |
| 027    | 183U21-4 | Schakelhuis LM001/2J           |
| 035    | 459863-5 | Schakelhendelhouder L DLM533   |
| 035C10 | 931102-0 | Zeskantmoer M4 A               |
| 036    | 232575-3 | Torsieveer 12 DLM532/533       |
| 040    | 699198-4 | Voedingskabel eenheid DLM480   |
| 041    | 327871-3 | Hendel boven LM001/2J          |
| 043    | 265C08-1 | Bout M8x50 LM001/2J            |
| 044    | 265C06-5 | Vleugelmoer M8 LM001/2J        |
| 045    | 413944-9 | Draadklem LM001/2J             |
| 046    | 911163-6 | Schroef 4X35                   |
| 047    | 122A73-0 | Hendel assy LM001J             |
| 048    | 258004-8 | Spanstift 2,5-16               |
| 049    | 413943-1 | Knop LM001J                    |
| 050    | 327877-1 | Borghouder LM001J              |
| 051    | 234121-8 | Drukveer 8 Fs4300              |
| 052    | 327876-3 | Borgpen LM001J                 |
| 053    | 265C07-3 | Moerbout M8 LM001/2J           |
| 054    | 141F56-1 | Batterijkap cpl DLM480/539     |
| 054C10 | 890380-0 | Label Waarsc Am3623            |
| 055    | 231037-8 | Drukveer 7                     |
| 056    | 413B03-1 | Borghendel DML481/539          |
| 057    | 141J54-9 | Achterklep compleet DML481/539 |
| 058    | 8047H5-8 | Label waarschuwing DLM480      |
| 061    | 232721-8 | Drukveer 8mm LM001/2J          |
| 062    | 327874-7 | Stang 6mm LM001J               |
| 063    | 347867-8 | Hendelsteun R LM001/2J         |
| 064    | 266553-1 | Tapschroef 5X30 Ga9012C        |
| 065    | 265C05-7 | Parker 5x20mm LM001/2J         |
| 066    | 961018-5 | Stopring E-5                   |
| 066-1  | 259084-7 | Stopring E-5                   |
| 067    | 347866-0 | Hendelsteun L LM001/2J         |
| 069    | 183N35-1 | Batterijhuis DLM382/432        |
| 069C10 | 263005-3 | Rubber Pen 6 AC320H P          |
| 070    | 644809-6 | Aansluitunit Djr186 A          |

| Nr.    | Part nr. | Name                         |
|--------|----------|------------------------------|
| 073    | 8114E2-8 | Label serienr. DLM480        |
| 074    | 8114D9-7 | Naamplaat DLM480             |
| 076    | 413938-4 | Handgreep LM001/2J           |
| 078    | 141J46-8 | Kap compleet DLM480          |
| 078C10 | 422789-4 | Afdichtingring DLM480        |
| 078C20 | 8031N0-1 | Label indicatie DLM480       |
| 080    | 162993-0 | Hoogteplaat LM001/2J         |
| 081    | 643535-4 | Veiligheidsleutel DLM460     |
| 082    | 265C97-6 | Met.Schroef M3X12Mm DLM480 A |
| 083    | 413939-2 | Hoogteversteller LM001/2J    |
| 086    | 687051-6 | Klemstrip *                  |
| 090    | 413924-5 | Achterkap LM001J             |
| 092    | 620G78-5 | Controller DLM480/538        |
| 095    | 413B05-7 | Motorkap DML481/539          |
| 096    | 629A90-6 | Dc-motor DML481/539          |
| 097    | 141H61-0 | Motorbeugel cpl DML481/539   |
| 098    | 922422-3 | Inbusbout M8X16              |
| 099    | 459853-8 | Motortussenplaat DLM532/533  |
| 100    | 266385-6 | Tapschroef 4X14 Ga7020 A     |
| 101    | 265C22-7 | Inbusbout M8x30 LM001/2J     |
| 102    | 240229-8 | Waaier 170 LM001/2J          |
| 103    | 313393-9 | Meshouder 48cm LM001J        |
| 105    | 191V97-3 | Cirkelmes 48cm               |
| 106    | 265A69-9 | Maimesbout M8x35mm DLM532 A  |
| 107    | 413A62-9 | Maaidek DLM480               |
| 109    | 347870-9 | Borgplaat LM001/2J           |
| 110    | 232717-9 | Drukveer 17 LM001/2J         |
| 111    | 252301-4 | Borgmoer M6 LM001/2J         |
| 112    | 8046H7-8 | Label indicatie DLM480       |
| 113    | 253731-2 | Sluistring 8                 |
| 114    | 347873-3 | Verbindingstang R LM001/2J   |
| 115    | 347872-5 | Verbindingstang F LM001J     |
| 117    | 961012-7 | Stopring E-6 P               |
| 117-1  | 259085-5 | Stopring E-6                 |
| 118    | 267281-1 | Sluistring 8 Ga9010C         |
| 119    | 313389-0 | Stanghouder LM001/2J         |
| 120    | 327872-1 | Hoogteversteller LM001/2J    |
| 122    | 327873-9 | Stang 7mm LM001/2J           |
| 124    | 347869-4 | Plaat LM001/2J               |
| 125    | 265324-3 | Flensbout M8X12              |
| 126    | 141E34-5 | Voorwiel 180mm LM001/2J      |
| 127    | 210163-6 | Kogellager 6001Ddw A         |
| 128    | 162991-4 | Vooras LM001J                |
| 134    | 141E35-3 | Achterwiel 230mm LM001/2J    |
| 141    | 251951-2 | Schroef 5X10                 |
| 143    | 313390-5 | Ashouder achter LM001/2J     |



| <b>Nr.</b> | <b>Part nr.</b> | <b>Name</b>                |
|------------|-----------------|----------------------------|
| 144        | 162992-2        | As achter LM001J           |
| 146        | 347865-2        | Draadklem 19 LM001/2J      |
| 153        | 162A29-1        | Grasvangzakbeugel LM001J P |
| 154        | 162A28-3        | Grasvangzak LM001J         |

Model No.DLM480 480MM CORDLESS LAWN MOWER



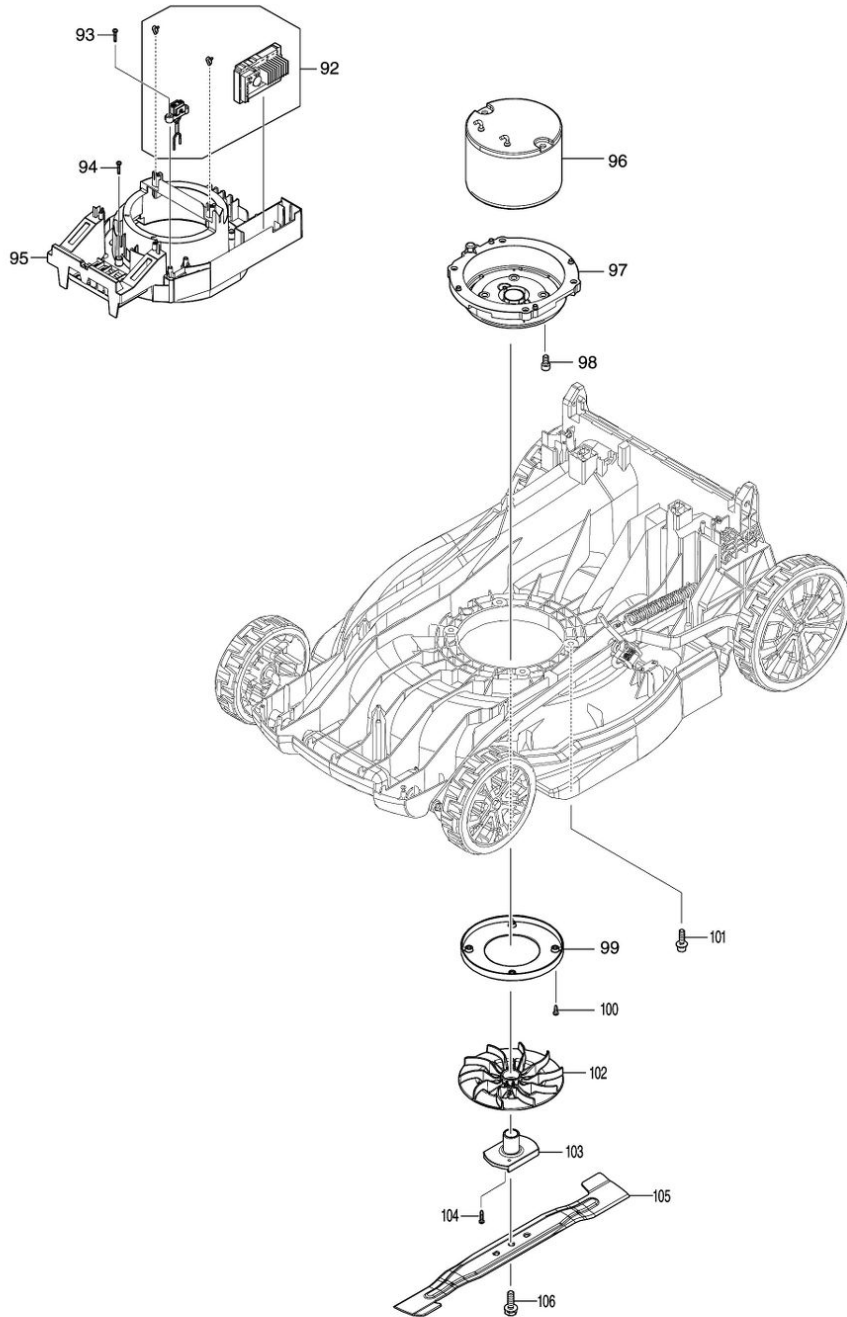
| Nr.    | Part nr. | Name                           |
|--------|----------|--------------------------------|
| 012    | 327424-8 | Schakelhendel DLM532/533       |
| 013    | 266424-2 | Tapschroef 4X20 Tm3000C P      |
| 014    | 183V31-7 | Schakelhuis DLM480/538         |
| 014C10 | 8045G7-5 | Label indicatie DLM480         |
| 015    | 231227-3 | Drukveer 15 DLM460             |
| 016    | 413A99-6 | Schakelh.steun R DML481/539    |
| 017    | 413B00-7 | Vergrendel uit knop DML481/539 |
| 018    | 911138-5 | Schroef 4X20 A                 |
| 019    | 651083-9 | Schakelaar C3Xa-1Pspm Dsp600   |
| 021    | 687123-7 | Trek Ontlaster Mt812 P         |
| 022    | 141H35-1 | Schakel circuit cpl DML481/539 |
| 022C10 | 810D46-0 | Label A/U AS1925               |
| 027    | 183U21-4 | Schakelhuis LM001/2J           |
| 035    | 459863-5 | Schakelhendelhouder L DLM533   |
| 035C10 | 931102-0 | Zeskantmoer M4 A               |
| 036    | 232575-3 | Torsieveer 12 DLM532/533       |
| 040    | 699198-4 | Voedingskabel eenheid DLM480   |
| 041    | 327871-3 | Hendel boven LM001/2J          |
| 043    | 265C08-1 | Bout M8x50 LM001/2J            |
| 044    | 265C06-5 | Vleugelmoer M8 LM001/2J        |
| 045    | 413944-9 | Draadklem LM001/2J             |
| 046    | 911163-6 | Schroef 4X35                   |
| 047    | 122A73-0 | Hendel assy LM001J             |
| 048    | 258004-8 | Spanstift 2,5-16               |
| 049    | 413943-1 | Knop LM001J                    |
| 050    | 327877-1 | Borghouder LM001J              |
| 051    | 234121-8 | Drukveer 8 Fs4300              |
| 052    | 327876-3 | Borgpen LM001J                 |
| 053    | 265C07-3 | Moerbout M8 LM001/2J           |
| 054    | 141F56-1 | Batterijkap cpl DLM480/539     |
| 054C10 | 890380-0 | Label Waarsc Am3623            |
| 055    | 231037-8 | Drukveer 7                     |
| 056    | 413B03-1 | Borghendel DML481/539          |
| 057    | 141J54-9 | Achterklep compleet DML481/539 |
| 058    | 8047H5-8 | Label waarschuwing DLM480      |
| 061    | 232721-8 | Drukveer 8mm LM001/2J          |
| 062    | 327874-7 | Stang 6mm LM001J               |
| 063    | 347867-8 | Hendelsteun R LM001/2J         |
| 064    | 266553-1 | Tapschroef 5X30 Ga9012C        |
| 065    | 265C05-7 | Parker 5x20mm LM001/2J         |
| 066    | 961018-5 | Stopring E-5                   |
| 066-1  | 259084-7 | Stopring E-5                   |
| 067    | 347866-0 | Hendelsteun L LM001/2J         |
| 069    | 183N35-1 | Batterijhuis DLM382/432        |
| 069C10 | 263005-3 | Rubber Pen 6 AC320H P          |
| 070    | 644809-6 | Aansluitunit Djr186 A          |

| Nr.    | Part nr. | Name                         |
|--------|----------|------------------------------|
| 073    | 8114E2-8 | Label serienr. DLM480        |
| 074    | 8114D9-7 | Naamplaat DLM480             |
| 076    | 413938-4 | Handgreep LM001/2J           |
| 078    | 141J46-8 | Kap compleet DLM480          |
| 078C10 | 422789-4 | Afdichtingring DLM480        |
| 078C20 | 8031N0-1 | Label indicatie DLM480       |
| 080    | 162993-0 | Hoogteplaat LM001/2J         |
| 081    | 643535-4 | Veiligheidsleutel DLM460     |
| 082    | 265C97-6 | Met.Schroef M3X12Mm DLM480 A |
| 083    | 413939-2 | Hoogteversteller LM001/2J    |
| 086    | 687051-6 | Klemstrip *                  |
| 090    | 413924-5 | Achterkap LM001J             |
| 092    | 620G78-5 | Controller DLM480/538        |
| 095    | 413B05-7 | Motorkap DML481/539          |
| 096    | 629A90-6 | Dc-motor DML481/539          |
| 097    | 141H61-0 | Motorbeugel cpl DML481/539   |
| 098    | 922422-3 | Inbusbout M8X16              |
| 099    | 459853-8 | Motortussenplaat DLM532/533  |
| 100    | 266385-6 | Tapschroef 4X14 Ga7020 A     |
| 101    | 265C22-7 | Inbusbout M8x30 LM001/2J     |
| 102    | 240229-8 | Waaier 170 LM001/2J          |
| 103    | 313393-9 | Meshouder 48cm LM001J        |
| 105    | 191V97-3 | Cirkelmes 48cm               |
| 106    | 265A69-9 | Maimesbout M8x35mm DLM532 A  |
| 107    | 413A62-9 | Maaidek DLM480               |
| 109    | 347870-9 | Borgplaat LM001/2J           |
| 110    | 232717-9 | Drukveer 17 LM001/2J         |
| 111    | 252301-4 | Borgmoer M6 LM001/2J         |
| 112    | 8046H7-8 | Label indicatie DLM480       |
| 113    | 253731-2 | Sluistring 8                 |
| 114    | 347873-3 | Verbindingstang R LM001/2J   |
| 115    | 347872-5 | Verbindingstang F LM001J     |
| 117    | 961012-7 | Stopring E-6 P               |
| 117-1  | 259085-5 | Stopring E-6                 |
| 118    | 267281-1 | Sluistring 8 Ga9010C         |
| 119    | 313389-0 | Stanghouder LM001/2J         |
| 120    | 327872-1 | Hoogteversteller LM001/2J    |
| 122    | 327873-9 | Stang 7mm LM001/2J           |
| 124    | 347869-4 | Plaat LM001/2J               |
| 125    | 265324-3 | Flensbout M8X12              |
| 126    | 141E34-5 | Voorwiel 180mm LM001/2J      |
| 127    | 210163-6 | Kogellager 6001Ddw A         |
| 128    | 162991-4 | Vooras LM001J                |
| 134    | 141E35-3 | Achterwiel 230mm LM001/2J    |
| 141    | 251951-2 | Schroef 5X10                 |
| 143    | 313390-5 | Ashouder achter LM001/2J     |



| <b>Nr.</b> | <b>Part nr.</b> | <b>Name</b>                |
|------------|-----------------|----------------------------|
| 144        | 162992-2        | As achter LM001J           |
| 146        | 347865-2        | Draadklem 19 LM001/2J      |
| 153        | 162A29-1        | Grasvangzakbeugel LM001J P |
| 154        | 162A28-3        | Grasvangzak LM001J         |

Model No.DLM480 480MM CORDLESS LAWN MOWER



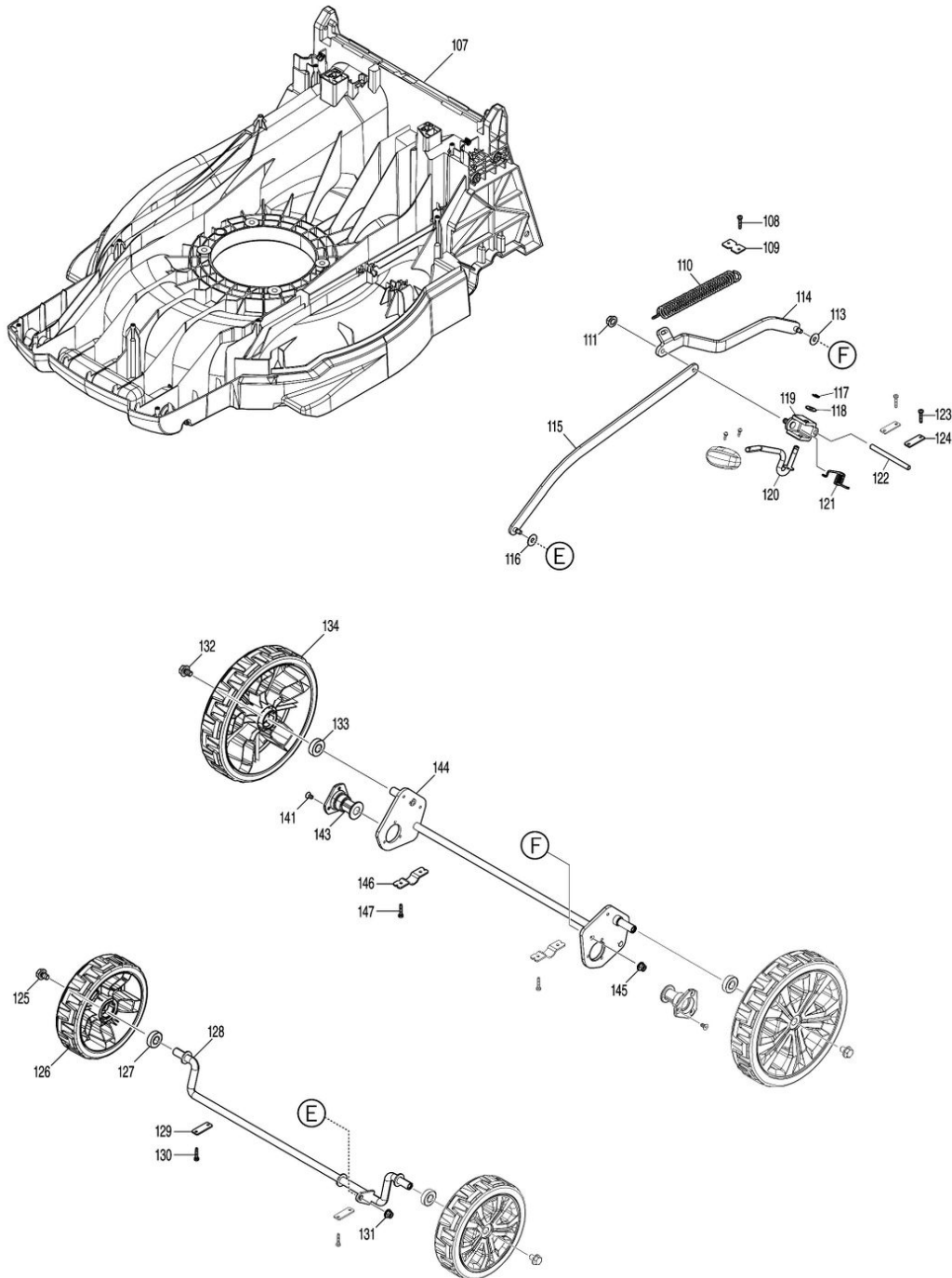
| Nr.    | Part nr. | Name                           |
|--------|----------|--------------------------------|
| 012    | 327424-8 | Schakelhendel DLM532/533       |
| 013    | 266424-2 | Tapschroef 4X20 Tm3000C P      |
| 014    | 183V31-7 | Schakelhuis DLM480/538         |
| 014C10 | 8045G7-5 | Label indicatie DLM480         |
| 015    | 231227-3 | Drukveer 15 DLM460             |
| 016    | 413A99-6 | Schakelh.steun R DML481/539    |
| 017    | 413B00-7 | Vergrendel uit knop DML481/539 |
| 018    | 911138-5 | Schroef 4X20 A                 |
| 019    | 651083-9 | Schakelaar C3Xa-1Pspm Dsp600   |
| 021    | 687123-7 | Trek Ontlaster Mt812 P         |
| 022    | 141H35-1 | Schakel circuit cpl DML481/539 |
| 022C10 | 810D46-0 | Label A/U AS1925               |
| 027    | 183U21-4 | Schakelhuis LM001/2J           |
| 035    | 459863-5 | Schakelhendelhouder L DLM533   |
| 035C10 | 931102-0 | Zeskantmoer M4 A               |
| 036    | 232575-3 | Torsieveer 12 DLM532/533       |
| 040    | 699198-4 | Voedingskabel eenheid DLM480   |
| 041    | 327871-3 | Hendel boven LM001/2J          |
| 043    | 265C08-1 | Bout M8x50 LM001/2J            |
| 044    | 265C06-5 | Vleugelmoer M8 LM001/2J        |
| 045    | 413944-9 | Draadklem LM001/2J             |
| 046    | 911163-6 | Schroef 4X35                   |
| 047    | 122A73-0 | Hendel assy LM001J             |
| 048    | 258004-8 | Spanstift 2,5-16               |
| 049    | 413943-1 | Knop LM001J                    |
| 050    | 327877-1 | Borghouder LM001J              |
| 051    | 234121-8 | Drukveer 8 Fs4300              |
| 052    | 327876-3 | Borgpen LM001J                 |
| 053    | 265C07-3 | Moerbout M8 LM001/2J           |
| 054    | 141F56-1 | Batterijkap cpl DLM480/539     |
| 054C10 | 890380-0 | Label Waarsc Am3623            |
| 055    | 231037-8 | Drukveer 7                     |
| 056    | 413B03-1 | Borghendel DML481/539          |
| 057    | 141J54-9 | Achterklep compleet DML481/539 |
| 058    | 8047H5-8 | Label waarschuwing DLM480      |
| 061    | 232721-8 | Drukveer 8mm LM001/2J          |
| 062    | 327874-7 | Stang 6mm LM001J               |
| 063    | 347867-8 | Hendelsteun R LM001/2J         |
| 064    | 266553-1 | Tapschroef 5X30 Ga9012C        |
| 065    | 265C05-7 | Parker 5x20mm LM001/2J         |
| 066    | 961018-5 | Stopring E-5                   |
| 066-1  | 259084-7 | Stopring E-5                   |
| 067    | 347866-0 | Hendelsteun L LM001/2J         |
| 069    | 183N35-1 | Batterijhuis DLM382/432        |
| 069C10 | 263005-3 | Rubber Pen 6 AC320H P          |
| 070    | 644809-6 | Aansluitunit Djr186 A          |

| Nr.    | Part nr. | Name                         |
|--------|----------|------------------------------|
| 073    | 8114E2-8 | Label serienr. DLM480        |
| 074    | 8114D9-7 | Naamplaat DLM480             |
| 076    | 413938-4 | Handgreep LM001/2J           |
| 078    | 141J46-8 | Kap compleet DLM480          |
| 078C10 | 422789-4 | Afdichtingring DLM480        |
| 078C20 | 8031N0-1 | Label indicatie DLM480       |
| 080    | 162993-0 | Hoogteplaat LM001/2J         |
| 081    | 643535-4 | Veiligheidsleutel DLM460     |
| 082    | 265C97-6 | Met.Schroef M3X12Mm DLM480 A |
| 083    | 413939-2 | Hoogteversteller LM001/2J    |
| 086    | 687051-6 | Klemstrip *                  |
| 090    | 413924-5 | Achterkap LM001J             |
| 092    | 620G78-5 | Controller DLM480/538        |
| 095    | 413B05-7 | Motorkap DML481/539          |
| 096    | 629A90-6 | Dc-motor DML481/539          |
| 097    | 141H61-0 | Motorbeugel cpl DML481/539   |
| 098    | 922422-3 | Inbusbout M8X16              |
| 099    | 459853-8 | Motortussenplaat DLM532/533  |
| 100    | 266385-6 | Tapschroef 4X14 Ga7020 A     |
| 101    | 265C22-7 | Inbusbout M8x30 LM001/2J     |
| 102    | 240229-8 | Waaier 170 LM001/2J          |
| 103    | 313393-9 | Meshouder 48cm LM001J        |
| 105    | 191V97-3 | Cirkelmes 48cm               |
| 106    | 265A69-9 | Maimesbout M8x35mm DLM532 A  |
| 107    | 413A62-9 | Maaidek DLM480               |
| 109    | 347870-9 | Borgplaat LM001/2J           |
| 110    | 232717-9 | Drukveer 17 LM001/2J         |
| 111    | 252301-4 | Borgmoer M6 LM001/2J         |
| 112    | 8046H7-8 | Label indicatie DLM480       |
| 113    | 253731-2 | Sluistring 8                 |
| 114    | 347873-3 | Verbindingstang R LM001/2J   |
| 115    | 347872-5 | Verbindingstang F LM001J     |
| 117    | 961012-7 | Stopring E-6 P               |
| 117-1  | 259085-5 | Stopring E-6                 |
| 118    | 267281-1 | Sluistring 8 Ga9010C         |
| 119    | 313389-0 | Stanghouder LM001/2J         |
| 120    | 327872-1 | Hoogteversteller LM001/2J    |
| 122    | 327873-9 | Stang 7mm LM001/2J           |
| 124    | 347869-4 | Plaat LM001/2J               |
| 125    | 265324-3 | Flensbout M8X12              |
| 126    | 141E34-5 | Voorwiel 180mm LM001/2J      |
| 127    | 210163-6 | Kogellager 6001Ddw A         |
| 128    | 162991-4 | Vooras LM001J                |
| 134    | 141E35-3 | Achterwiel 230mm LM001/2J    |
| 141    | 251951-2 | Schroef 5X10                 |
| 143    | 313390-5 | Ashouder achter LM001/2J     |



| <b>Nr.</b> | <b>Part nr.</b> | <b>Name</b>                |
|------------|-----------------|----------------------------|
| 144        | 162992-2        | As achter LM001J           |
| 146        | 347865-2        | Draadklem 19 LM001/2J      |
| 153        | 162A29-1        | Grasvangzakbeugel LM001J P |
| 154        | 162A28-3        | Grasvangzak LM001J         |

Model No.DLM480 480MM CORDLESS LAWN MOWER



| Nr.    | Part nr. | Name                           |
|--------|----------|--------------------------------|
| 012    | 327424-8 | Schakelhendel DLM532/533       |
| 013    | 266424-2 | Tapschroef 4X20 Tm3000C P      |
| 014    | 183V31-7 | Schakelhuis DLM480/538         |
| 014C10 | 8045G7-5 | Label indicatie DLM480         |
| 015    | 231227-3 | Drukveer 15 DLM460             |
| 016    | 413A99-6 | Schakelh.steun R DML481/539    |
| 017    | 413B00-7 | Vergrendel uit knop DML481/539 |
| 018    | 911138-5 | Schroef 4X20 A                 |
| 019    | 651083-9 | Schakelaar C3Xa-1Pspm Dsp600   |
| 021    | 687123-7 | Trek Ontlaster Mt812 P         |
| 022    | 141H35-1 | Schakel circuit cpl DML481/539 |
| 022C10 | 810D46-0 | Label A/U AS1925               |
| 027    | 183U21-4 | Schakelhuis LM001/2J           |
| 035    | 459863-5 | Schakelhendelhouder L DLM533   |
| 035C10 | 931102-0 | Zeskantmoer M4 A               |
| 036    | 232575-3 | Torsieveer 12 DLM532/533       |
| 040    | 699198-4 | Voedingskabel eenheid DLM480   |
| 041    | 327871-3 | Hendel boven LM001/2J          |
| 043    | 265C08-1 | Bout M8x50 LM001/2J            |
| 044    | 265C06-5 | Vleugelmoer M8 LM001/2J        |
| 045    | 413944-9 | Draadklem LM001/2J             |
| 046    | 911163-6 | Schroef 4X35                   |
| 047    | 122A73-0 | Hendel assy LM001J             |
| 048    | 258004-8 | Spanstift 2,5-16               |
| 049    | 413943-1 | Knop LM001J                    |
| 050    | 327877-1 | Borghouder LM001J              |
| 051    | 234121-8 | Drukveer 8 Fs4300              |
| 052    | 327876-3 | Borgpen LM001J                 |
| 053    | 265C07-3 | Moerbout M8 LM001/2J           |
| 054    | 141F56-1 | Batterijkap cpl DLM480/539     |
| 054C10 | 890380-0 | Label Waarsc Am3623            |
| 055    | 231037-8 | Drukveer 7                     |
| 056    | 413B03-1 | Borghendel DML481/539          |
| 057    | 141J54-9 | Achterklep compleet DML481/539 |
| 058    | 8047H5-8 | Label waarschuwing DLM480      |
| 061    | 232721-8 | Drukveer 8mm LM001/2J          |
| 062    | 327874-7 | Stang 6mm LM001J               |
| 063    | 347867-8 | Hendelsteun R LM001/2J         |
| 064    | 266553-1 | Tapschroef 5X30 Ga9012C        |
| 065    | 265C05-7 | Parker 5x20mm LM001/2J         |
| 066    | 961018-5 | Stopring E-5                   |
| 066-1  | 259084-7 | Stopring E-5                   |
| 067    | 347866-0 | Hendelsteun L LM001/2J         |
| 069    | 183N35-1 | Batterijhuis DLM382/432        |
| 069C10 | 263005-3 | Rubber Pen 6 AC320H P          |
| 070    | 644809-6 | Aansluitunit Djr186 A          |

| Nr.    | Part nr. | Name                         |
|--------|----------|------------------------------|
| 073    | 8114E2-8 | Label serienr. DLM480        |
| 074    | 8114D9-7 | Naamplaat DLM480             |
| 076    | 413938-4 | Handgreep LM001/2J           |
| 078    | 141J46-8 | Kap compleet DLM480          |
| 078C10 | 422789-4 | Afdichtingring DLM480        |
| 078C20 | 8031N0-1 | Label indicatie DLM480       |
| 080    | 162993-0 | Hoogteplaat LM001/2J         |
| 081    | 643535-4 | Veiligheidsleutel DLM460     |
| 082    | 265C97-6 | Met.Schroef M3X12Mm DLM480 A |
| 083    | 413939-2 | Hoogteversteller LM001/2J    |
| 086    | 687051-6 | Klemstrip *                  |
| 090    | 413924-5 | Achterkap LM001J             |
| 092    | 620G78-5 | Controller DLM480/538        |
| 095    | 413B05-7 | Motorkap DML481/539          |
| 096    | 629A90-6 | Dc-motor DML481/539          |
| 097    | 141H61-0 | Motorbeugel cpl DML481/539   |
| 098    | 922422-3 | Inbusbout M8X16              |
| 099    | 459853-8 | Motortussenplaat DLM532/533  |
| 100    | 266385-6 | Tapschroef 4X14 Ga7020 A     |
| 101    | 265C22-7 | Inbusbout M8x30 LM001/2J     |
| 102    | 240229-8 | Waaier 170 LM001/2J          |
| 103    | 313393-9 | Meshouder 48cm LM001J        |
| 105    | 191V97-3 | Cirkelmes 48cm               |
| 106    | 265A69-9 | Maimesbout M8x35mm DLM532 A  |
| 107    | 413A62-9 | Maaidek DLM480               |
| 109    | 347870-9 | Borgplaat LM001/2J           |
| 110    | 232717-9 | Drukveer 17 LM001/2J         |
| 111    | 252301-4 | Borgmoer M6 LM001/2J         |
| 112    | 8046H7-8 | Label indicatie DLM480       |
| 113    | 253731-2 | Sluistring 8                 |
| 114    | 347873-3 | Verbindingstang R LM001/2J   |
| 115    | 347872-5 | Verbindingstang F LM001J     |
| 117    | 961012-7 | Stopring E-6 P               |
| 117-1  | 259085-5 | Stopring E-6                 |
| 118    | 267281-1 | Sluistring 8 Ga9010C         |
| 119    | 313389-0 | Stanghouder LM001/2J         |
| 120    | 327872-1 | Hoogteversteller LM001/2J    |
| 122    | 327873-9 | Stang 7mm LM001/2J           |
| 124    | 347869-4 | Plaat LM001/2J               |
| 125    | 265324-3 | Flensbout M8X12              |
| 126    | 141E34-5 | Voorwiel 180mm LM001/2J      |
| 127    | 210163-6 | Kogellager 6001Ddw A         |
| 128    | 162991-4 | Vooras LM001J                |
| 134    | 141E35-3 | Achterwiel 230mm LM001/2J    |
| 141    | 251951-2 | Schroef 5X10                 |
| 143    | 313390-5 | Ashouder achter LM001/2J     |



| <b>Nr.</b> | <b>Part nr.</b> | <b>Name</b>                |
|------------|-----------------|----------------------------|
| 144        | 162992-2        | As achter LM001J           |
| 146        | 347865-2        | Draadklem 19 LM001/2J      |
| 153        | 162A29-1        | Grasvangzakbeugel LM001J P |
| 154        | 162A28-3        | Grasvangzak LM001J         |