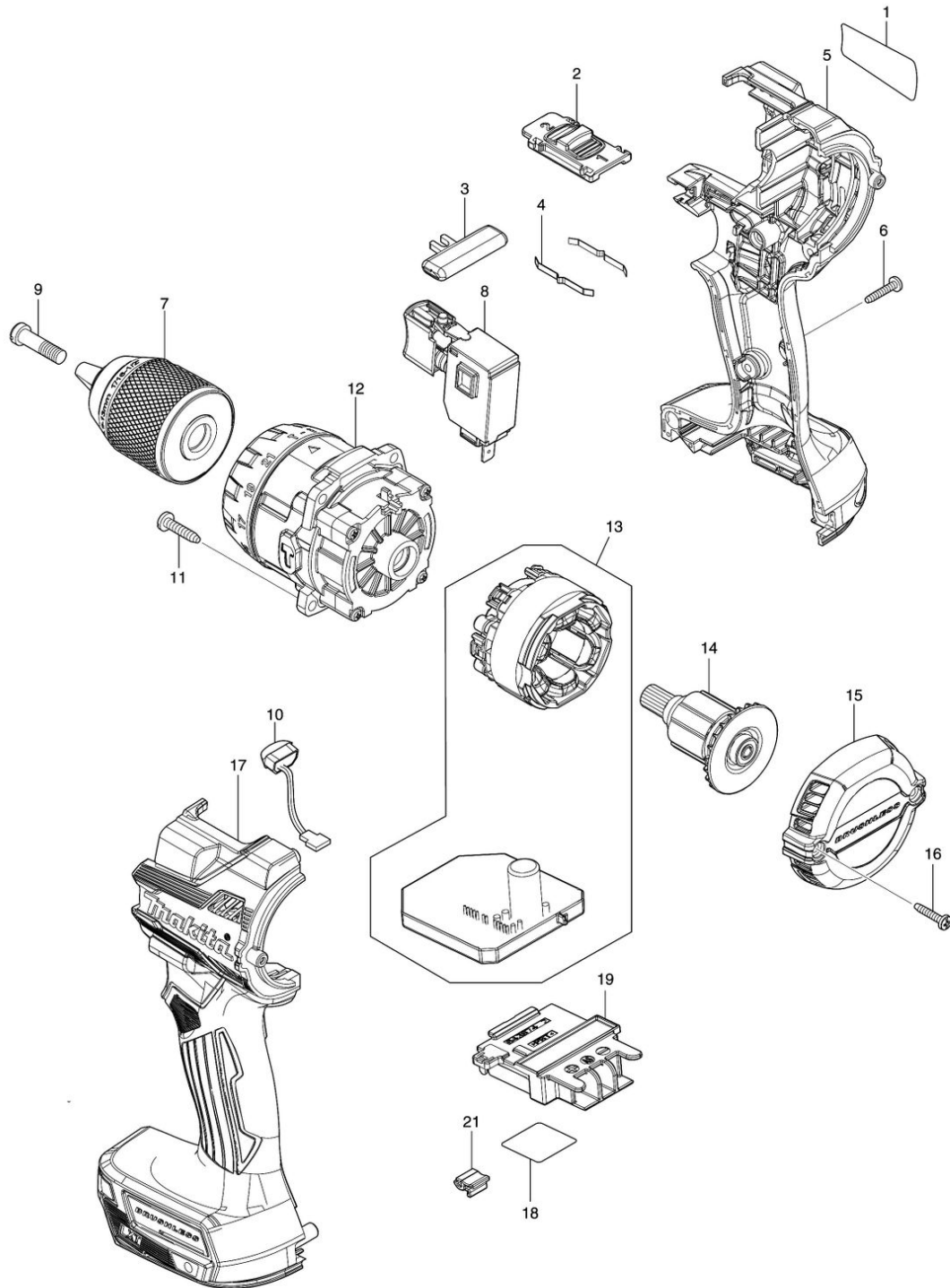


Partdrawing for DHP489Z - Klopboor-/schroefmachine



Model No.DHP489 CORDLESS HAMMER DRIVER DRILL



| Nr. | Part nr. | Name |
|--------|----------|-----------------------------|
| 001 | 8585E1-5 | Naamplaat DHP489 |
| 002 | 127494-5 | Schakelknop DF001G |
| 002C10 | 233438-6 | Drukveer 4 Bdf440 |
| 003 | 419041-9 | L/R Schakelknop Btd130F |
| 004 | 232220-0 | Bladveer 6349D |
| 005 | 183X19-9 | Motorhuis DHP/DDF489 |
| 005C10 | 263005-3 | Rubber Pen 6 AC320H P |
| 005C20 | 252126-6 | Borgmoer M4X7Mm Mt070 |
| 006 | 266130-9 | Tapschroef 3X16 A |
| 007 | 763261-0 | Boorkop snsp 13mm DHP489 |
| 008 | 650710-5 | Schakelaar C3Jw-4B DDF481 P |
| 009 | 251468-5 | Boorkopschroef M6X22Mm Li |
| 010 | 620549-0 | Licht Circuit Dhp483 |
| 011 | 266326-2 | Tap Schroef 4X18mm P |
| 012 | 122D65-7 | Tandwielset DHP489 |
| 013 | 629B98-6 | Veld cpl DHP489 |
| 014 | 619797-6 | Anker DDF/DHP489 |
| 015 | 413N80-5 | Afdekkap DDF/DHP489 |
| 016 | 266130-9 | Tapschroef 3X16 A |
| 017 | 183X19-9 | Motorhuis DHP/DDF489 |
| 017C10 | 263005-3 | Rubber Pen 6 AC320H P |
| 017C20 | 252126-6 | Borgmoer M4X7Mm Mt070 |
| 018 | 8585E9-9 | Label serienr. DHP489 |
| 019 | 643874-2 | Aansluitunit Dhp483 |
| 021 | 424517-3 | Bescherming Bdf459 |