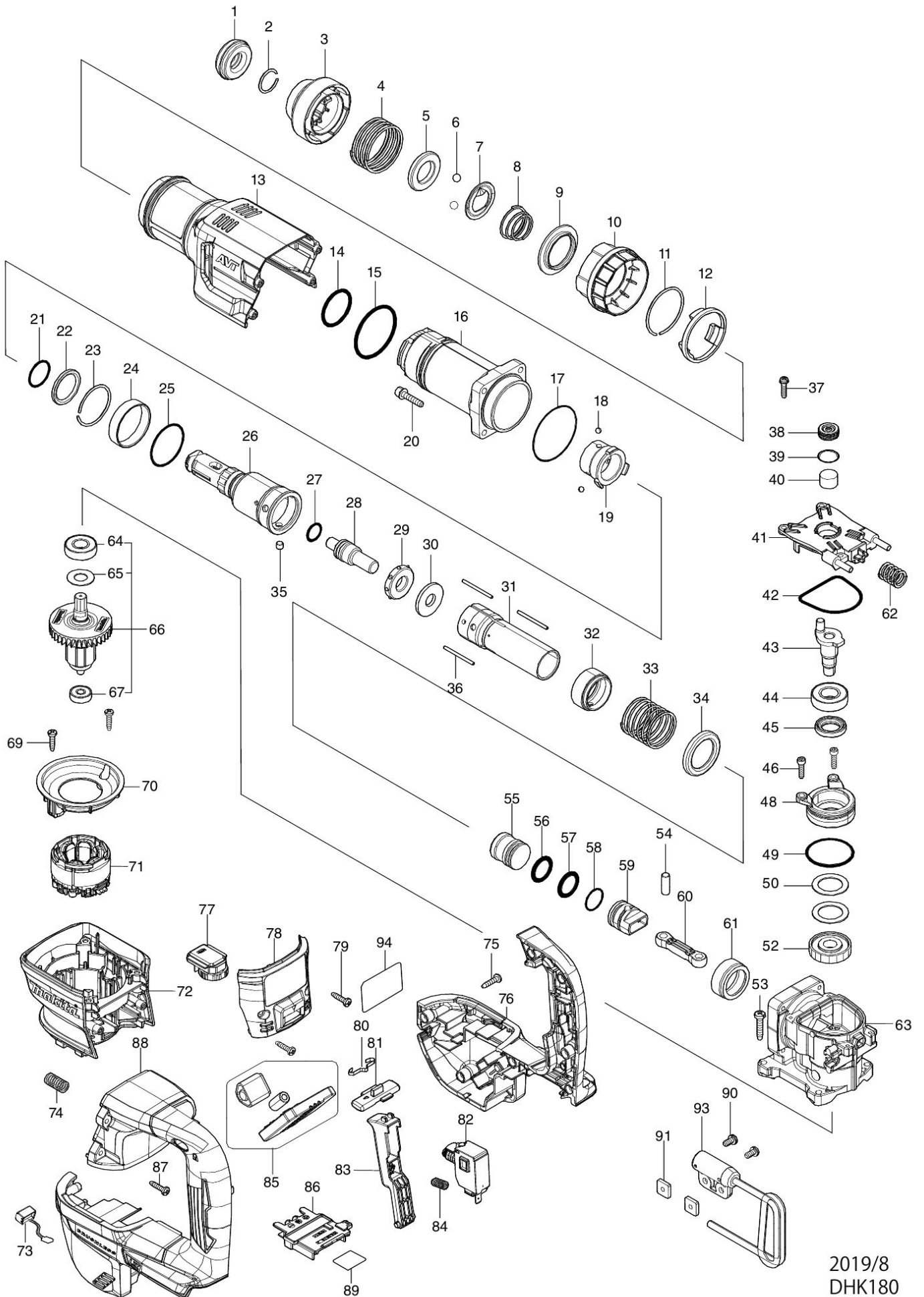


# Partdrawing for DHK180ZJ - Schrafer 18V



2019/8  
DHK180

Nr.	Part nr.	Name
001	286283-8	Beitelhouderkap Hk1820
002	233966-1	Borgring 19 Hk1820
003	450275-5	Beitelblokkeerkap Hk1820
004	234039-3	Drukveer 42 Hk1820
005	257288-5	Ring 21 Hk1820
006	216022-2	Stalen Kogel 7.0 Hr2400
007	345873-7	Geleidering Hk1820
008	233916-6	Drukveer 21-29 Hr2440/50
009	345874-5	Kogelgeleider Hk1820
010	450274-7	Verwisselring Hk1820
011	231985-1	Veerring 43 Hr5001C
012	459752-4	Ring DHK180
013	459748-5	Motorhuisafdekkap DHK180
014	213465-9	O-Ring 31 Hk1820
015	213617-2	O-Ring 47 Hm1304
016	319988-6	Cilinderhuis DHK180 A
017	213606-7	O-Ring 48
018	216002-8	Stalen Kogel 4.8
019	331796-5	Ring 25 Hk1820
020	922243-3	Inbusbout M5X25mm
021	213008-7	O-Ring 22.4
022	262142-0	Urethaan Ring 26 Hk1820
023	233956-4	Borgring 37 Hk1820
024	257296-6	Ring 39 Hk1820 A
025	213142-3	O-Ring 35
026	324837-4	Beitelhouder Hk1820
027	213128-7	O-Ring 12 Hr2440/50
028	324844-7	Slagbout Hk1820
029	424065-2	Rubber Ring 13 Hk1820
030	267363-9	Sluitring 12 Hk1820
031	326814-2	Cilinder DHK180
032	326813-4	Ring 29mm DHK180
033	234041-6	Drukveer 32 Hk1820
034	345872-9	Schotelring 29 Hk1820
035	268226-2	Pen 6 Hk1820
036	256862-6	Stang 3 Hk1820 A
037	911133-5	Schroef 4X18
038	419988-7	Filterkap Hk1820
039	213218-6	O-Ring 16 HK1820 P
040	443129-3	Filter Hk1820
041	459746-9	Cilinderkap DHK180
042	424067-8	Pakkingring Hk1820
043	324845-5	Krukas Hk1820
044	211232-6	Kogellager 6002Llu
045	213219-4	Keerring 15
046	266437-3	Inbusbout M4X16 A

Nr.	Part nr.	Name
048	318202-7	Lagerhuis Hk1820
049	213513-4	O-Ring 39 Hk1820
050	267126-3	Sluitring 22
052	226675-9	Tandwiel 36 Hk1820
053	266041-8	Tapschroef 5X25 A
054	256087-2	Pen 7 Hk1820
055	324847-1	Slaghamer Hk1820
056	213283-5	O-Ring 18 Hk1820
057	213283-5	O-Ring 18 Hk1820
058	213262-3	O-Ring 18
059	450298-3	Zuiger Hk1820
060	450278-9	Drijfstang Hk1820
061	331797-3	Bus 29 Hk1820
062	232560-6	Drukveer 12mm DHK180
063	158523-3	Krukashuis Hk1820
063C10	213415-4	O-Ring 28
064	211131-2	Kogellager 6001Dw
065	253748-5	Sluitring 12*
066	519589-2	Anker 18v DHK180
067	210022-4	KOGELLAGER 626DDW
069	265995-6	Tapschroef 4X18 P
070	459749-3	Tussenplaat DHK180
071	629451-4	Veld 18v DHK180 P
071-1	629B71-6	Veld 18v DHK180 A
072	459747-7	Motorhuis DHK180
073	620936-3	Ledcircuit DHR680
074	232411-3	Drukveer 8
075	265995-6	Tapschroef 4X18 P
076	183N36-9	Behuizing DHK180
076C10	263005-3	Rubber Pen 6 AC320H P
077	620796-3	Circuit HM001G P
078	140M96-8	Motorhuisafdekkap DHK180
079	265995-6	Tapschroef 4X18 P
080	232152-1	Bladveer 6832
081	459751-6	Ontgrendelknop DHK180
082	651399-2	Schakelaar C3JW-6B-PA
083	459750-8	Schakelknop DHK180
084	232561-4	Drukveer 5mm DHK180
085	620C18-9	Controller DHK180
086	643874-2	Aansluitunit Dhp483
087	265995-6	Tapschroef 4X18 P
088	183N36-9	Behuizing DHK180
088C10	263005-3	Rubber Pen 6 AC320H P
089	856L09-0	Serienr label DHK180
090	911211-1	Kruiskopschroef 5X12
091	264002-2	Moer M5 Bjr181

# Partdrawing for DHK180ZJ - Schrapper 18V



<b>Nr.</b>	<b>Part nr.</b>	<b>Name</b>
093	127344-4	Draaghaak schraper
094	856L02-4	Naamplaat DHK180
095	620L06-0	Controller B DHK180
096	638A31-1	Draadboom DDA460
097	652119-7	Met.schr M2x6mm