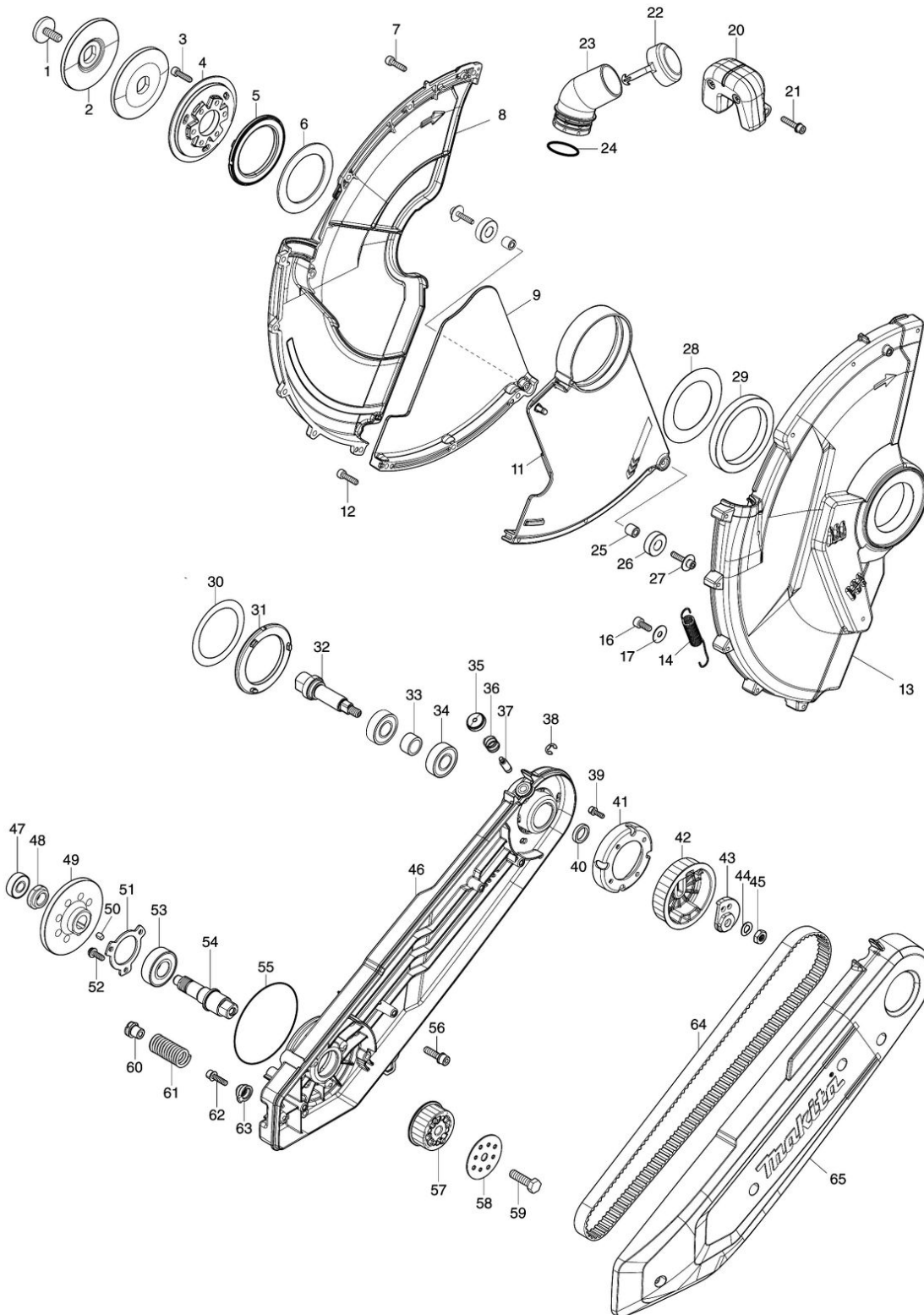


Model No.CE002G 355MM CORDLESS POWER CUTTER



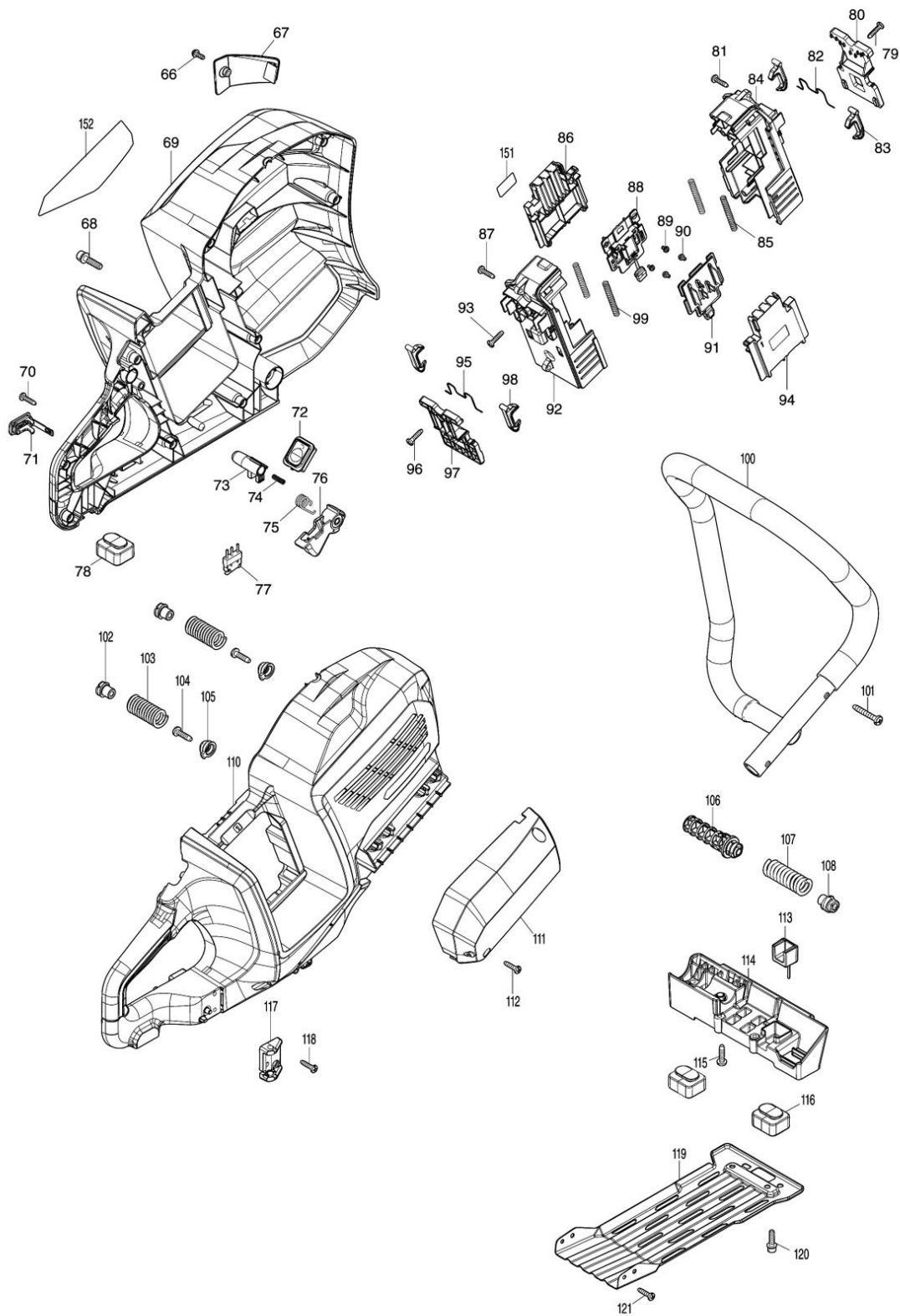
| Nr. | Part nr. | Name |
|--------|----------|-------------------------------|
| 001 | 266976-3 | Inbusbout M8x25mm |
| 002 | 224632-1 | Flens 80mm CE002G |
| 003 | 922232-8 | Inbusbout M5X20 A |
| 004 | 312D66-5 | Meenemer CE002G |
| 005 | 422822-2 | Rubber ring 56 CE001G |
| 006 | 253574-2 | Sluistring 56mm CE002G |
| 007 | 922232-8 | Inbusbout M5X20 A |
| 008 | 137006-6 | Slijpkap binnen CE002G |
| 008C10 | 263002-9 | Rubber Pen 4 6413 A |
| 008C20 | 8064C1-9 | Label waarsch CE002G |
| 009 | 312D70-4 | Slijponderkap L CE002G |
| 011 | 141N02-2 | Slijponderkap R CE002G |
| 012 | 922232-8 | Inbusbout M5X20 A |
| 013 | 137005-8 | Slijpkap buiten CE002G |
| 013C10 | 263002-9 | Rubber Pen 4 6413 A |
| 014 | 232798-3 | Trekveer 11 CE002G |
| 016 | 922212-4 | Inbusbout M5X12 |
| 017 | 253424-1 | Sluistring 6mm CE002G |
| 020 | 136853-2 | Slijpkapgreep CE002G |
| 020C10 | 266326-2 | Tap Schroef 4X18mm P |
| 021 | 922243-3 | Inbusbout M5X25mm |
| 022 | 421362-7 | Afdekkap 5017Rkb |
| 023 | 416741-2 | Stofafzuigadapter sleuvenzaag |
| 024 | 213888-1 | O-ring 30mm CE002G |
| 025 | 257896-2 | Bus 5,4mm CE002G |
| 026 | 327B11-5 | Slijpkaprollen CE002G |
| 027 | 265A89-3 | Inbusbout M5x255mm DUN500W |
| 028 | 413P09-3 | Lagerkap CE002G |
| 029 | 257A13-0 | Ring 65mm CE002G |
| 030 | 424792-1 | Geleidingsringpc-6114 A |
| 031 | 422822-2 | Rubber ring 56 CE001G |
| 032 | 327B10-7 | As CE002G |
| 033 | 257895-4 | Bus 15mm CE002G |
| 034 | 211238-4 | Kogellager 6202LLU Hr4500C |
| 035 | 451485-7 | Drukknop Ga9050 |
| 036 | 233089-5 | Drukveer 12 Dsp600 |
| 037 | 256947-8 | Schouderpin DCE90 |
| 038 | 961012-7 | Stopring E-6 P |
| 039 | 922123-3 | Zeskantbout Dcs230T |
| 040 | 257868-7 | Ring 15mm CE001G |
| 041 | 347915-3 | Poeliebodemplaat CE001G |
| 042 | 222201-2 | Poelie 17x70,5 CE001G |
| 043 | 313415-5 | Excentriek CE001G |
| 044 | 267822-3 | Veerring 8mm EA3201S A |
| 045 | 264053-5 | Moer M8x1 CE001G |
| 046 | 312D67-3 | Slijparm CE002G |

| Nr. | Part nr. | Name |
|--------|----------|------------------------------|
| 047 | 211062-5 | Kogellager 6000Rd EBH341L P |
| 048 | 252429-8 | Moer M15X23 Ga7030 |
| 049 | 227922-1 | Tandwielset 53 CE001G |
| 050 | 254201-4 | Inlegspie 4 |
| 051 | 285049-3 | Borgring 33-59 CE001G |
| 052 | 265074-0 | Met.Schr. M5X16Mm Bcg140 |
| 053 | 211278-2 | Kogellager 6203 |
| 054 | 327B09-2 | Tandwielas CE002G |
| 055 | 213806-9 | O-Ring 90 |
| 056 | 922343-9 | Bout M6X25 Ak3622 |
| 057 | 222203-8 | Poelie 17x45mm CE002G |
| 058 | 347A86-2 | Poelieplaat 50mm CE002G |
| 059 | 265D39-6 | Bout M8x30mm CE001G A |
| 060 | 312C34-2 | Veerhouder B CE001G |
| 061 | 232729-2 | Drukveer 13mm CE001G |
| 062 | 922233-6 | ZESKANTBOUT EM4351UH P |
| 063 | 312C33-4 | Veerhouder A CE001G |
| 064 | 225107-3 | Tandriem 15x880mm CE002G |
| 065 | 141N00-6 | Slijparkscherm CE002G |
| 065C10 | 265B09-3 | Inbusbout M5X30mm DCE090 |
| 066 | 911118-1 | Schroef 4X12 P |
| 067 | 413C66-3 | Lens CE001G |
| 068 | 922343-9 | Bout M6X25 Ak3622 |
| 069 | 183Y26-8 | Handgreepset CE002G |
| 069C10 | 8040V4-6 | Label XGT UR012G |
| 070 | 266326-2 | Tap Schroef 4X18mm P |
| 071 | 140F99-0 | Afdekkap DGA701 |
| 071C10 | 213A05-9 | O-ring 16 SP001G |
| 072 | 141G39-7 | Schakelcircuit cpl CE001G |
| 073 | 413C73-6 | A/U schakelknop CE001G |
| 074 | 232444-8 | Drukveer 4mm DTR180 |
| 075 | 232732-3 | Torsieveer 10 CE001G |
| 076 | 413C72-8 | Schakelhendel CE001G |
| 077 | 632T61-8 | Schakelaar CE001G |
| 078 | 422823-0 | Achterschoep CE001G |
| 079 | 266326-2 | Tap Schroef 4X18mm P |
| 080 | 413C77-8 | Blokkeerkap CE001G |
| 081 | 266326-2 | Tap Schroef 4X18mm P |
| 082 | 232731-5 | Hendelveer CE001G |
| 083 | 413C76-0 | Sluiting batteryadapt CE001G |
| 084 | 183U87-4 | Zekeringhuis CE001G |
| 084C10 | 263005-3 | Rubber Pen 6 AC320H P |
| 085 | 232730-7 | Drukveer 5mm CE001G |
| 086 | 413C74-4 | Batterijadapter L CE001G |
| 087 | 266326-2 | Tap Schroef 4X18mm P |
| 088 | 632T08-2 | Circuitunit VC001GL |

| Nr. | Part nr. | Name |
|--------|----------|------------------------------|
| 089 | 652031-1 | Schroef M3X6 |
| 090 | 652031-1 | Schroef M3X6 |
| 091 | 632T08-2 | Circuitunit VC001GL |
| 092 | 183U87-4 | Zekeringhuis CE001G |
| 092C10 | 263005-3 | Rubber Pen 6 AC320H P |
| 093 | 266326-2 | Tap Schroef 4X18mm P |
| 094 | 413C75-2 | Batterijadapter R CE001G |
| 095 | 232731-5 | Hendelveer CE001G |
| 096 | 266326-2 | Tap Schroef 4X18mm P |
| 097 | 413C77-8 | Blokkeerkap CE001G |
| 098 | 413C76-0 | Sluiting batteryadapt CE001G |
| 099 | 232730-7 | Drukveer 5mm CE001G |
| 100 | 327928-0 | Handgrip 26 CE001G |
| 101 | 266373-3 | Schroef 5X35 Ga7020 A |
| 102 | 312C34-2 | Veerhouder B CE001G |
| 103 | 232729-2 | Drukveer 13mm CE001G |
| 104 | 266021-4 | Tapschroef 5X20 A |
| 105 | 312C33-4 | Veerhouder A CE001G |
| 106 | 413C71-0 | Veerhouder D CE001G |
| 107 | 232728-4 | Drukveer 12mm CE001G |
| 108 | 312C35-0 | Veerhouder C CE001G |
| 110 | 183Y26-8 | Handgreepset CE002G |
| 110C10 | 8040V4-6 | Label XGT UR012G |
| 111 | 136926-1 | Slanghoes CE001G A |
| 111C10 | 263005-3 | Rubber Pen 6 AC320H P |
| 112 | 266326-2 | Tap Schroef 4X18mm P |
| 113 | 424788-2 | Trillings Demper Pc-6114 A |
| 114 | 312C32-6 | Houder CE001G |
| 115 | 266021-4 | Tapschroef 5X20 A |
| 116 | 422823-0 | Achtervoet CE001G |
| 117 | 413N25-3 | Houder CE002G |
| 118 | 266326-2 | Tap Schroef 4X18mm P |
| 119 | 347916-1 | Bodemplaat CE001G |
| 120 | 922233-6 | ZESKANTBOUT EM4351UH P |
| 121 | 266326-2 | Tap Schroef 4X18mm P |
| 122 | 413C70-2 | Motorhuis CE001G |
| 123 | 266490-9 | Parker Ck 2X6Mm DDF483 P |
| 124 | 687B69-9 | Stopper DHR400 |
| 125 | 620E26-2 | Controller B HR006G |
| 126 | 652031-1 | Schroef M3X6 |
| 127 | 632T19-7 | Draadboom UC016G/017G |
| 127-1 | 632T58-7 | Aansluitunit CE001G |
| 128 | 629A92-2 | Veld CE001G |
| 129 | 459144-7 | Tussenplaat DCE90 |
| 130 | 266326-2 | Tap Schroef 4X18mm P |
| 131 | 210059-1 | Kogellager hoog T LM004 P |

| Nr. | Part nr. | Name |
|------------|-----------------|-------------------------|
| 132 | 519717-9 | Anker assy CE001G |
| 133 | 962211-4 | Borgring R-42 |
| 134 | 253545-9 | Sluistring 28mm CE001G |
| 135 | 267212-0 | Sluistring 12 Td126 |
| 136 | 211132-0 | Kogellager 6301Lib A |
| 137 | 262085-6 | Rubber Ring 38 9049Sf |
| 138 | 141G44-4 | Tandwielhuis cpl CE001G |
| 138C10 | 263002-9 | Rubber Pen 4 6413 A |
| 139 | 266021-4 | Tapschroef 5X20 A |
| 140 | 922343-9 | Bout M6X25 Ak3622 |
| 141 | 227921-3 | Tandwielset 15 CE001G |
| 142 | 252178-7 | Moer M8 Hr5210C |
| 143 | 422821-4 | Spons CE001G |
| 144 | 265620-9 | Met.schr. 4x18mm DUC355 |
| 145 | 620H50-3 | Circuit led CE001G |
| 146 | 183U88-2 | Motorhuisdeksel CE001G |
| 147 | 620K97-5 | Controller CE002G |
| 148 | 266326-2 | Tap Schroef 4X18mm P |
| 149 | 183U88-2 | Motorhuisdeksel CE001G |
| 150 | 922343-9 | Bout M6X25 Ak3622 |
| 151 | 8585M0-3 | Label ser.nr. CE002G |
| 152 | 8585L3-0 | Naamplaat CE002G |

Model No.CE002G 355MM CORDLESS POWER CUTTER



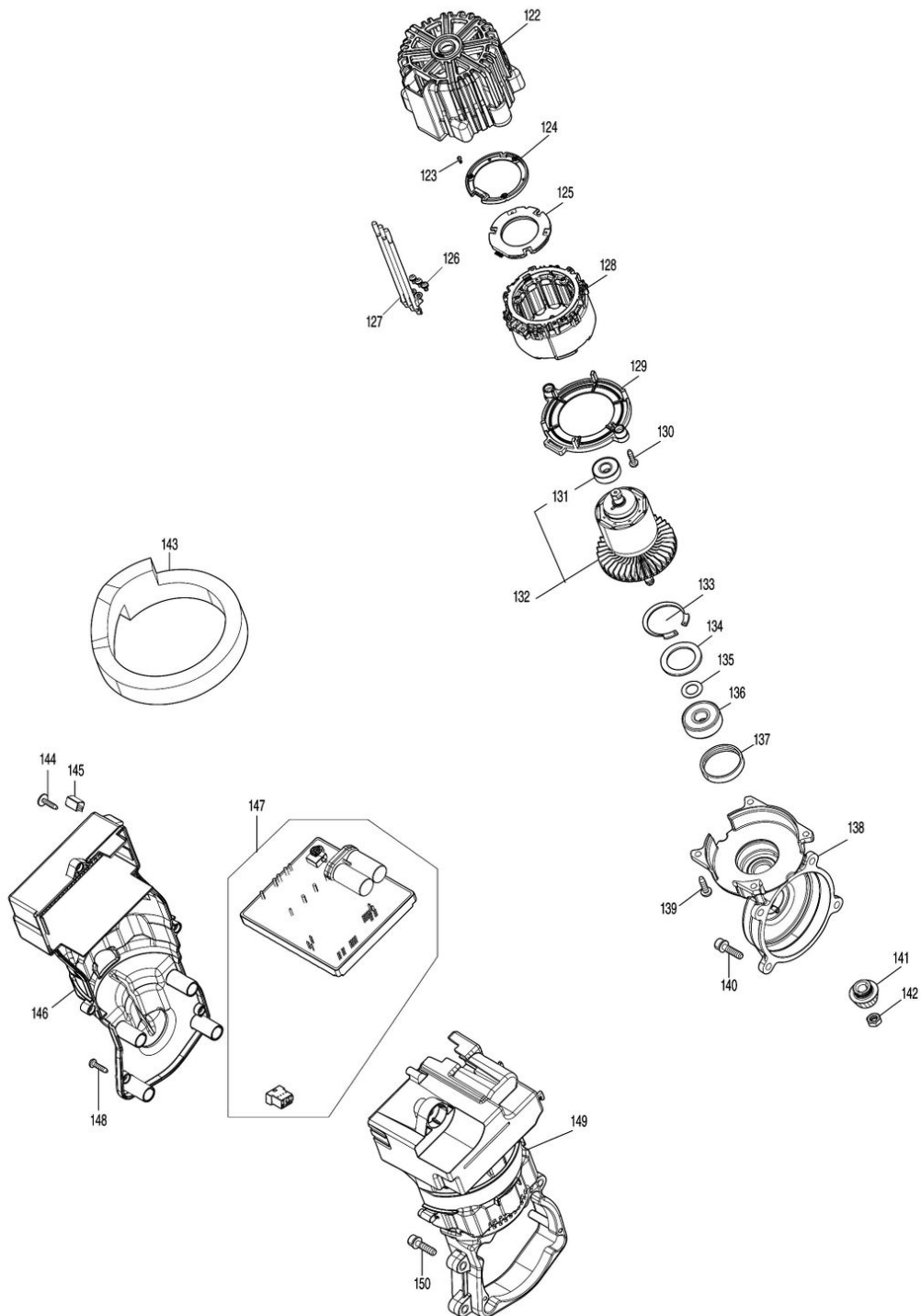
| Nr. | Part nr. | Name |
|--------|----------|-------------------------------|
| 001 | 266976-3 | Inbusbout M8x25mm |
| 002 | 224632-1 | Flens 80mm CE002G |
| 003 | 922232-8 | Inbusbout M5X20 A |
| 004 | 312D66-5 | Meenemer CE002G |
| 005 | 422822-2 | Rubber ring 56 CE001G |
| 006 | 253574-2 | Sluistring 56mm CE002G |
| 007 | 922232-8 | Inbusbout M5X20 A |
| 008 | 137006-6 | Slijpkap binnen CE002G |
| 008C10 | 263002-9 | Rubber Pen 4 6413 A |
| 008C20 | 8064C1-9 | Label waarsch CE002G |
| 009 | 312D70-4 | Slijponderkap L CE002G |
| 011 | 141N02-2 | Slijponderkap R CE002G |
| 012 | 922232-8 | Inbusbout M5X20 A |
| 013 | 137005-8 | Slijpkap buiten CE002G |
| 013C10 | 263002-9 | Rubber Pen 4 6413 A |
| 014 | 232798-3 | Trekveer 11 CE002G |
| 016 | 922212-4 | Inbusbout M5X12 |
| 017 | 253424-1 | Sluistring 6mm CE002G |
| 020 | 136853-2 | Slijpkapgreep CE002G |
| 020C10 | 266326-2 | Tap Schroef 4X18mm P |
| 021 | 922243-3 | Inbusbout M5X25mm |
| 022 | 421362-7 | Afdekkap 5017Rkb |
| 023 | 416741-2 | Stofafzuigadapter sleuvenzaag |
| 024 | 213888-1 | O-ring 30mm CE002G |
| 025 | 257896-2 | Bus 5,4mm CE002G |
| 026 | 327B11-5 | Slijpkaprollen CE002G |
| 027 | 265A89-3 | Inbusbout M5x255mm DUN500W |
| 028 | 413P09-3 | Lagerkap CE002G |
| 029 | 257A13-0 | Ring 65mm CE002G |
| 030 | 424792-1 | Geleidingsringpc-6114 A |
| 031 | 422822-2 | Rubber ring 56 CE001G |
| 032 | 327B10-7 | As CE002G |
| 033 | 257895-4 | Bus 15mm CE002G |
| 034 | 211238-4 | Kogellager 6202LLU Hr4500C |
| 035 | 451485-7 | Drukknop Ga9050 |
| 036 | 233089-5 | Drukveer 12 Dsp600 |
| 037 | 256947-8 | Schouderpin DCE90 |
| 038 | 961012-7 | Stopring E-6 P |
| 039 | 922123-3 | Zeskantbout Dcs230T |
| 040 | 257868-7 | Ring 15mm CE001G |
| 041 | 347915-3 | Poeliebodemplaat CE001G |
| 042 | 222201-2 | Poelie 17x70,5 CE001G |
| 043 | 313415-5 | Excentriek CE001G |
| 044 | 267822-3 | Veerring 8mm EA3201S A |
| 045 | 264053-5 | Moer M8x1 CE001G |
| 046 | 312D67-3 | Slijparm CE002G |

| Nr. | Part nr. | Name |
|--------|----------|------------------------------|
| 047 | 211062-5 | Kogellager 6000Rd EBH341L P |
| 048 | 252429-8 | Moer M15X23 Ga7030 |
| 049 | 227922-1 | Tandwielset 53 CE001G |
| 050 | 254201-4 | Inlegspie 4 |
| 051 | 285049-3 | Borgring 33-59 CE001G |
| 052 | 265074-0 | Met.Schr. M5X16Mm Bcg140 |
| 053 | 211278-2 | Kogellager 6203 |
| 054 | 327B09-2 | Tandwielas CE002G |
| 055 | 213806-9 | O-Ring 90 |
| 056 | 922343-9 | Bout M6X25 Ak3622 |
| 057 | 222203-8 | Poelie 17x45mm CE002G |
| 058 | 347A86-2 | Poelieplaat 50mm CE002G |
| 059 | 265D39-6 | Bout M8x30mm CE001G A |
| 060 | 312C34-2 | Veerhouder B CE001G |
| 061 | 232729-2 | Drukveer 13mm CE001G |
| 062 | 922233-6 | ZESKANTBOUT EM4351UH P |
| 063 | 312C33-4 | Veerhouder A CE001G |
| 064 | 225107-3 | Tandriem 15x880mm CE002G |
| 065 | 141N00-6 | Slijparmkap CE002G |
| 065C10 | 265B09-3 | Inbusbout M5X30mm DCE090 |
| 066 | 911118-1 | Schroef 4X12 P |
| 067 | 413C66-3 | Lens CE001G |
| 068 | 922343-9 | Bout M6X25 Ak3622 |
| 069 | 183Y26-8 | Handgreepset CE002G |
| 069C10 | 8040V4-6 | Label XGT UR012G |
| 070 | 266326-2 | Tap Schroef 4X18mm P |
| 071 | 140F99-0 | Afdekkap DGA701 |
| 071C10 | 213A05-9 | O-ring 16 SP001G |
| 072 | 141G39-7 | Schakelcircuit cpl CE001G |
| 073 | 413C73-6 | A/U schakelknop CE001G |
| 074 | 232444-8 | Drukveer 4mm DTR180 |
| 075 | 232732-3 | Torsieveer 10 CE001G |
| 076 | 413C72-8 | Schakelhendel CE001G |
| 077 | 632T61-8 | Schakelaar CE001G |
| 078 | 422823-0 | Achtervoet CE001G |
| 079 | 266326-2 | Tap Schroef 4X18mm P |
| 080 | 413C77-8 | Blokkeerkap CE001G |
| 081 | 266326-2 | Tap Schroef 4X18mm P |
| 082 | 232731-5 | Hendelveer CE001G |
| 083 | 413C76-0 | Sluiting batteryadapt CE001G |
| 084 | 183U87-4 | Zekeringhuis CE001G |
| 084C10 | 263005-3 | Rubber Pen 6 AC320H P |
| 085 | 232730-7 | Drukveer 5mm CE001G |
| 086 | 413C74-4 | Batterijadapter L CE001G |
| 087 | 266326-2 | Tap Schroef 4X18mm P |
| 088 | 632T08-2 | Circuitunit VC001GL |

| Nr. | Part nr. | Name |
|--------|----------|------------------------------|
| 089 | 652031-1 | Schroef M3X6 |
| 090 | 652031-1 | Schroef M3X6 |
| 091 | 632T08-2 | Circuitunit VC001GL |
| 092 | 183U87-4 | Zekeringhuis CE001G |
| 092C10 | 263005-3 | Rubber Pen 6 AC320H P |
| 093 | 266326-2 | Tap Schroef 4X18mm P |
| 094 | 413C75-2 | Batterijadapter R CE001G |
| 095 | 232731-5 | Hendelveer CE001G |
| 096 | 266326-2 | Tap Schroef 4X18mm P |
| 097 | 413C77-8 | Blokkeerkap CE001G |
| 098 | 413C76-0 | Sluiting batteryadapt CE001G |
| 099 | 232730-7 | Drukveer 5mm CE001G |
| 100 | 327928-0 | Handgrip 26 CE001G |
| 101 | 266373-3 | Schroef 5X35 Ga7020 A |
| 102 | 312C34-2 | Veerhouder B CE001G |
| 103 | 232729-2 | Drukveer 13mm CE001G |
| 104 | 266021-4 | Tapschroef 5X20 A |
| 105 | 312C33-4 | Veerhouder A CE001G |
| 106 | 413C71-0 | Veerhouder D CE001G |
| 107 | 232728-4 | Drukveer 12mm CE001G |
| 108 | 312C35-0 | Veerhouder C CE001G |
| 110 | 183Y26-8 | Handgreepset CE002G |
| 110C10 | 8040V4-6 | Label XGT UR012G |
| 111 | 136926-1 | Slanghoes CE001G A |
| 111C10 | 263005-3 | Rubber Pen 6 AC320H P |
| 112 | 266326-2 | Tap Schroef 4X18mm P |
| 113 | 424788-2 | Trillings Demper Pc-6114 A |
| 114 | 312C32-6 | Houder CE001G |
| 115 | 266021-4 | Tapschroef 5X20 A |
| 116 | 422823-0 | Achtervoet CE001G |
| 117 | 413N25-3 | Houder CE002G |
| 118 | 266326-2 | Tap Schroef 4X18mm P |
| 119 | 347916-1 | Bodemplaat CE001G |
| 120 | 922233-6 | ZESKANTBOUT EM4351UH P |
| 121 | 266326-2 | Tap Schroef 4X18mm P |
| 122 | 413C70-2 | Motorhuis CE001G |
| 123 | 266490-9 | Parker Ck 2X6Mm DDF483 P |
| 124 | 687B69-9 | Stopper DHR400 |
| 125 | 620E26-2 | Controller B HR006G |
| 126 | 652031-1 | Schroef M3X6 |
| 127 | 632T19-7 | Draadboom UC016G/017G |
| 127-1 | 632T58-7 | Aansluitunit CE001G |
| 128 | 629A92-2 | Veld CE001G |
| 129 | 459144-7 | Tussenplaat DCE90 |
| 130 | 266326-2 | Tap Schroef 4X18mm P |
| 131 | 210059-1 | Kogellager hoog T LM004 P |

| Nr. | Part nr. | Name |
|------------|-----------------|-------------------------|
| 132 | 519717-9 | Anker assy CE001G |
| 133 | 962211-4 | Borgring R-42 |
| 134 | 253545-9 | Sluitring 28mm CE001G |
| 135 | 267212-0 | Sluitring 12 Td126 |
| 136 | 211132-0 | Kogellager 6301Lib A |
| 137 | 262085-6 | Rubber Ring 38 9049Sf |
| 138 | 141G44-4 | Tandwielhuis cpl CE001G |
| 138C10 | 263002-9 | Rubber Pen 4 6413 A |
| 139 | 266021-4 | Tapschroef 5X20 A |
| 140 | 922343-9 | Bout M6X25 Ak3622 |
| 141 | 227921-3 | Tandwielset 15 CE001G |
| 142 | 252178-7 | Moer M8 Hr5210C |
| 143 | 422821-4 | Spons CE001G |
| 144 | 265620-9 | Met.schr. 4x18mm DUC355 |
| 145 | 620H50-3 | Circuit led CE001G |
| 146 | 183U88-2 | Motorhuisdeksel CE001G |
| 147 | 620K97-5 | Controller CE002G |
| 148 | 266326-2 | Tap Schroef 4X18mm P |
| 149 | 183U88-2 | Motorhuisdeksel CE001G |
| 150 | 922343-9 | Bout M6X25 Ak3622 |
| 151 | 8585M0-3 | Label ser.nr. CE002G |
| 152 | 8585L3-0 | Naamplaat CE002G |

Model No.CE002G 355MM CORDLESS POWER CUTTER



| Nr. | Part nr. | Name |
|--------|----------|-------------------------------|
| 001 | 266976-3 | Inbusbout M8x25mm |
| 002 | 224632-1 | Flens 80mm CE002G |
| 003 | 922232-8 | Inbusbout M5X20 A |
| 004 | 312D66-5 | Meenemer CE002G |
| 005 | 422822-2 | Rubber ring 56 CE001G |
| 006 | 253574-2 | Sluistring 56mm CE002G |
| 007 | 922232-8 | Inbusbout M5X20 A |
| 008 | 137006-6 | Slijpkap binnen CE002G |
| 008C10 | 263002-9 | Rubber Pen 4 6413 A |
| 008C20 | 8064C1-9 | Label waarsch CE002G |
| 009 | 312D70-4 | Slijponderkap L CE002G |
| 011 | 141N02-2 | Slijponderkap R CE002G |
| 012 | 922232-8 | Inbusbout M5X20 A |
| 013 | 137005-8 | Slijpkap buiten CE002G |
| 013C10 | 263002-9 | Rubber Pen 4 6413 A |
| 014 | 232798-3 | Trekveer 11 CE002G |
| 016 | 922212-4 | Inbusbout M5X12 |
| 017 | 253424-1 | Sluistring 6mm CE002G |
| 020 | 136853-2 | Slijpkapgreep CE002G |
| 020C10 | 266326-2 | Tap Schroef 4X18mm P |
| 021 | 922243-3 | Inbusbout M5X25mm |
| 022 | 421362-7 | Afdekkap 5017Rkb |
| 023 | 416741-2 | Stofafzuigadapter sleuvenzaag |
| 024 | 213888-1 | O-ring 30mm CE002G |
| 025 | 257896-2 | Bus 5,4mm CE002G |
| 026 | 327B11-5 | Slijpkaprollen CE002G |
| 027 | 265A89-3 | Inbusbout M5x255mm DUN500W |
| 028 | 413P09-3 | Lagerkap CE002G |
| 029 | 257A13-0 | Ring 65mm CE002G |
| 030 | 424792-1 | Geleidingsringpc-6114 A |
| 031 | 422822-2 | Rubber ring 56 CE001G |
| 032 | 327B10-7 | As CE002G |
| 033 | 257895-4 | Bus 15mm CE002G |
| 034 | 211238-4 | Kogellager 6202LLU Hr4500C |
| 035 | 451485-7 | Drukknop Ga9050 |
| 036 | 233089-5 | Drukveer 12 Dsp600 |
| 037 | 256947-8 | Schouderpin DCE90 |
| 038 | 961012-7 | Stopring E-6 P |
| 039 | 922123-3 | Zeskantbout Dcs230T |
| 040 | 257868-7 | Ring 15mm CE001G |
| 041 | 347915-3 | Poeliebodemplaat CE001G |
| 042 | 222201-2 | Poelie 17x70,5 CE001G |
| 043 | 313415-5 | Excentriek CE001G |
| 044 | 267822-3 | Veerring 8mm EA3201S A |
| 045 | 264053-5 | Moer M8x1 CE001G |
| 046 | 312D67-3 | Slijparm CE002G |

| Nr. | Part nr. | Name |
|--------|----------|------------------------------|
| 047 | 211062-5 | Kogellager 6000Rd EBH341L P |
| 048 | 252429-8 | Moer M15X23 Ga7030 |
| 049 | 227922-1 | Tandwielset 53 CE001G |
| 050 | 254201-4 | Inlegspie 4 |
| 051 | 285049-3 | Borgring 33-59 CE001G |
| 052 | 265074-0 | Met.Schr. M5X16Mm Bcg140 |
| 053 | 211278-2 | Kogellager 6203 |
| 054 | 327B09-2 | Tandwielas CE002G |
| 055 | 213806-9 | O-Ring 90 |
| 056 | 922343-9 | Bout M6X25 Ak3622 |
| 057 | 222203-8 | Poelie 17x45mm CE002G |
| 058 | 347A86-2 | Poelieplaat 50mm CE002G |
| 059 | 265D39-6 | Bout M8x30mm CE001G A |
| 060 | 312C34-2 | Veerhouder B CE001G |
| 061 | 232729-2 | Drukveer 13mm CE001G |
| 062 | 922233-6 | ZESKANTBOUT EM4351UH P |
| 063 | 312C33-4 | Veerhouder A CE001G |
| 064 | 225107-3 | Tandriem 15x880mm CE002G |
| 065 | 141N00-6 | Slijparmkap CE002G |
| 065C10 | 265B09-3 | Inbusbout M5X30mm DCE090 |
| 066 | 911118-1 | Schroef 4X12 P |
| 067 | 413C66-3 | Lens CE001G |
| 068 | 922343-9 | Bout M6X25 Ak3622 |
| 069 | 183Y26-8 | Handgreepset CE002G |
| 069C10 | 8040V4-6 | Label XGT UR012G |
| 070 | 266326-2 | Tap Schroef 4X18mm P |
| 071 | 140F99-0 | Afdekkap DGA701 |
| 071C10 | 213A05-9 | O-ring 16 SP001G |
| 072 | 141G39-7 | Schakelcircuit cpl CE001G |
| 073 | 413C73-6 | A/U schakelknop CE001G |
| 074 | 232444-8 | Drukveer 4mm DTR180 |
| 075 | 232732-3 | Torsieveer 10 CE001G |
| 076 | 413C72-8 | Schakelhendel CE001G |
| 077 | 632T61-8 | Schakelaar CE001G |
| 078 | 422823-0 | Achtervoet CE001G |
| 079 | 266326-2 | Tap Schroef 4X18mm P |
| 080 | 413C77-8 | Blokkeerkap CE001G |
| 081 | 266326-2 | Tap Schroef 4X18mm P |
| 082 | 232731-5 | Hendelveer CE001G |
| 083 | 413C76-0 | Sluiting batteryadapt CE001G |
| 084 | 183U87-4 | Zekeringhuis CE001G |
| 084C10 | 263005-3 | Rubber Pen 6 AC320H P |
| 085 | 232730-7 | Drukveer 5mm CE001G |
| 086 | 413C74-4 | Batterijadapter L CE001G |
| 087 | 266326-2 | Tap Schroef 4X18mm P |
| 088 | 632T08-2 | Circuitunit VC001GL |

| Nr. | Part nr. | Name |
|--------|----------|------------------------------|
| 089 | 652031-1 | Schroef M3X6 |
| 090 | 652031-1 | Schroef M3X6 |
| 091 | 632T08-2 | Circuitunit VC001GL |
| 092 | 183U87-4 | Zekeringhuis CE001G |
| 092C10 | 263005-3 | Rubber Pen 6 AC320H P |
| 093 | 266326-2 | Tap Schroef 4X18mm P |
| 094 | 413C75-2 | Batterijadapter R CE001G |
| 095 | 232731-5 | Hendelveer CE001G |
| 096 | 266326-2 | Tap Schroef 4X18mm P |
| 097 | 413C77-8 | Blokkeerkap CE001G |
| 098 | 413C76-0 | Sluiting batteryadapt CE001G |
| 099 | 232730-7 | Drukveer 5mm CE001G |
| 100 | 327928-0 | Handgrip 26 CE001G |
| 101 | 266373-3 | Schroef 5X35 Ga7020 A |
| 102 | 312C34-2 | Veerhouder B CE001G |
| 103 | 232729-2 | Drukveer 13mm CE001G |
| 104 | 266021-4 | Tapschroef 5X20 A |
| 105 | 312C33-4 | Veerhouder A CE001G |
| 106 | 413C71-0 | Veerhouder D CE001G |
| 107 | 232728-4 | Drukveer 12mm CE001G |
| 108 | 312C35-0 | Veerhouder C CE001G |
| 110 | 183Y26-8 | Handgreepset CE002G |
| 110C10 | 8040V4-6 | Label XGT UR012G |
| 111 | 136926-1 | Slanghoes CE001G A |
| 111C10 | 263005-3 | Rubber Pen 6 AC320H P |
| 112 | 266326-2 | Tap Schroef 4X18mm P |
| 113 | 424788-2 | Trillings Demper Pc-6114 A |
| 114 | 312C32-6 | Houder CE001G |
| 115 | 266021-4 | Tapschroef 5X20 A |
| 116 | 422823-0 | Achtervoet CE001G |
| 117 | 413N25-3 | Houder CE002G |
| 118 | 266326-2 | Tap Schroef 4X18mm P |
| 119 | 347916-1 | Bodemplaat CE001G |
| 120 | 922233-6 | ZESKANTBOUT EM4351UH P |
| 121 | 266326-2 | Tap Schroef 4X18mm P |
| 122 | 413C70-2 | Motorhuis CE001G |
| 123 | 266490-9 | Parker Ck 2X6Mm DDF483 P |
| 124 | 687B69-9 | Stopper DHR400 |
| 125 | 620E26-2 | Controller B HR006G |
| 126 | 652031-1 | Schroef M3X6 |
| 127 | 632T19-7 | Draadboom UC016G/017G |
| 127-1 | 632T58-7 | Aansluitunit CE001G |
| 128 | 629A92-2 | Veld CE001G |
| 129 | 459144-7 | Tussenplaat DCE90 |
| 130 | 266326-2 | Tap Schroef 4X18mm P |
| 131 | 210059-1 | Kogellager hoog T LM004 P |

| Nr. | Part nr. | Name |
|------------|-----------------|-------------------------|
| 132 | 519717-9 | Anker assy CE001G |
| 133 | 962211-4 | Borgring R-42 |
| 134 | 253545-9 | Sluistring 28mm CE001G |
| 135 | 267212-0 | Sluistring 12 Td126 |
| 136 | 211132-0 | Kogellager 6301Lib A |
| 137 | 262085-6 | Rubber Ring 38 9049Sf |
| 138 | 141G44-4 | Tandwielhuis cpl CE001G |
| 138C10 | 263002-9 | Rubber Pen 4 6413 A |
| 139 | 266021-4 | Tapschroef 5X20 A |
| 140 | 922343-9 | Bout M6X25 Ak3622 |
| 141 | 227921-3 | Tandwielset 15 CE001G |
| 142 | 252178-7 | Moer M8 Hr5210C |
| 143 | 422821-4 | Spons CE001G |
| 144 | 265620-9 | Met.schr. 4x18mm DUC355 |
| 145 | 620H50-3 | Circuit led CE001G |
| 146 | 183U88-2 | Motorhuisdeksel CE001G |
| 147 | 620K97-5 | Controller CE002G |
| 148 | 266326-2 | Tap Schroef 4X18mm P |
| 149 | 183U88-2 | Motorhuisdeksel CE001G |
| 150 | 922343-9 | Bout M6X25 Ak3622 |
| 151 | 8585M0-3 | Label ser.nr. CE002G |
| 152 | 8585L3-0 | Naamplaat CE002G |