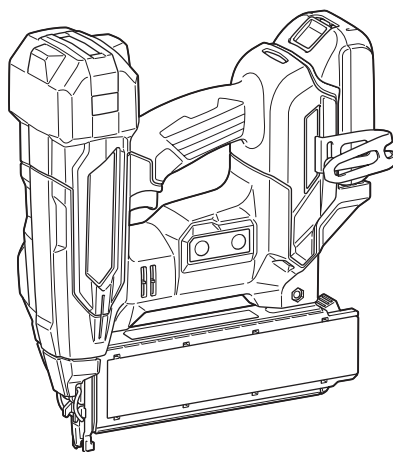




EN	Cordless Brad Nailer	INSTRUCTION MANUAL	7
FR	Cloueur Brad Sans Fil	MANUEL D'INSTRUCTIONS	16
DE	Akku-Nagler	BETRIEBSANLEITUNG	26
IT	Groppinatrice a batteria	ISTRUZIONI PER L'USO	36
NL	Accufijnnagelpistool	GEBRUIKSAANWIJZING	47
ES	Clavadora Inalámbrica	MANUAL DE INSTRUCCIONES	57
PT	Pinador a Bateria	MANUAL DE INSTRUÇÕES	67
EL	Φορητό καρφωτικό για καρφιά με αφανή κεφαλή	ΕΓΧΕΙΡΙΔΙΟ ΟΔΗΓΙΩΝ	77
TR	Akülü Başızsız Çivi Çakma Tabancası	KULLANMA KILAVUZU	87

DBN501



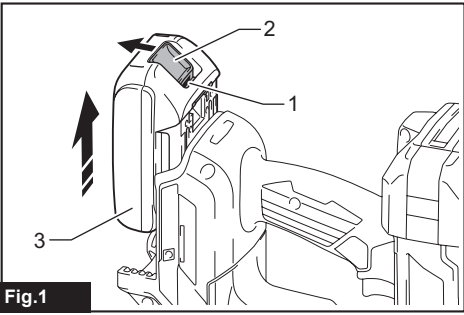


Fig.1

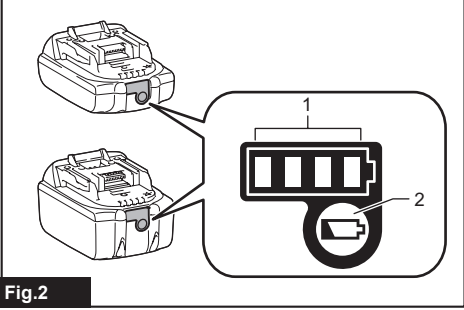


Fig.2

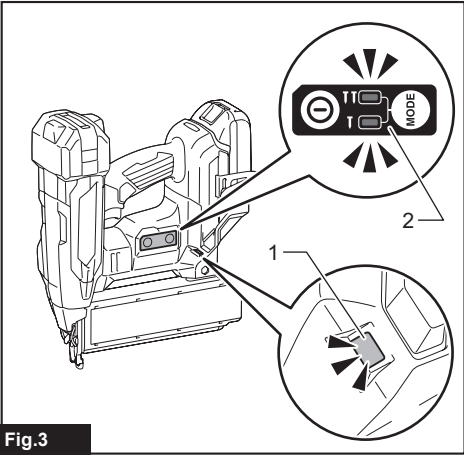


Fig.3

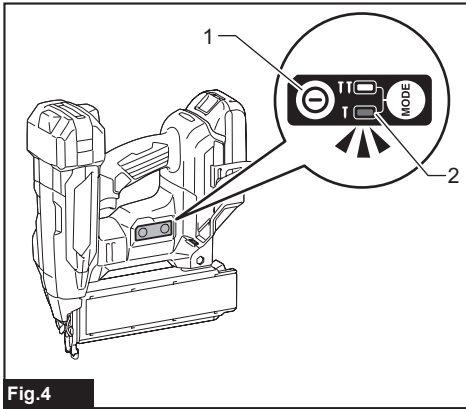


Fig.4

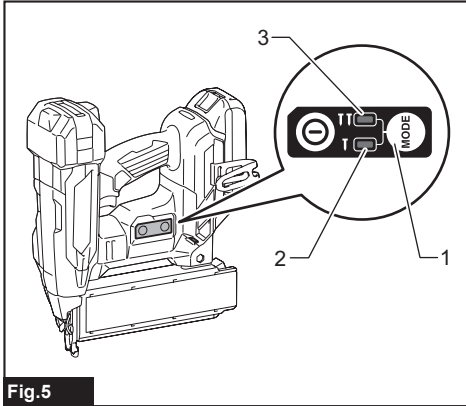


Fig.5

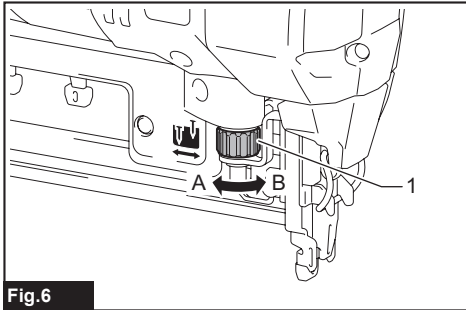
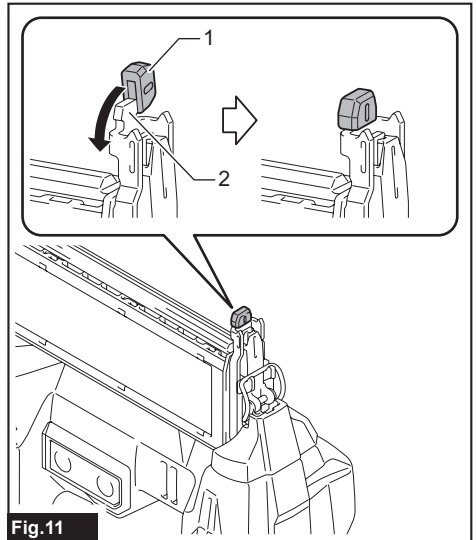
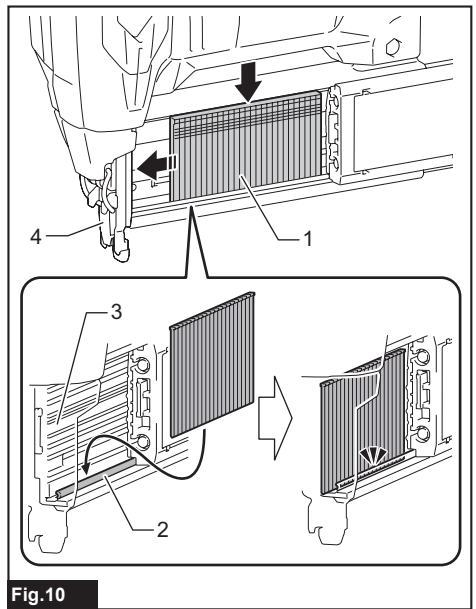
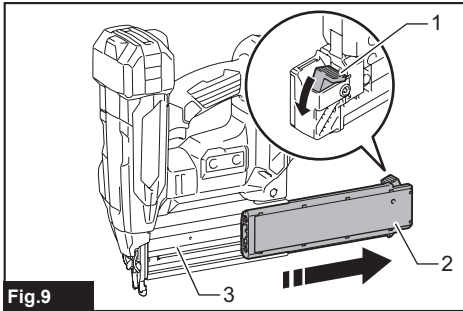
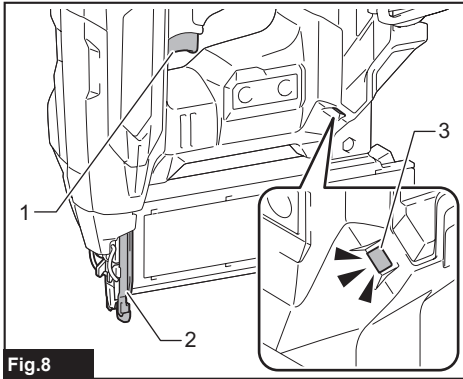
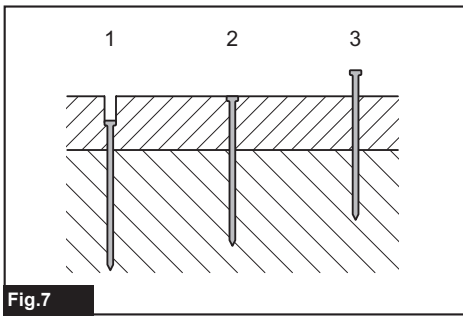
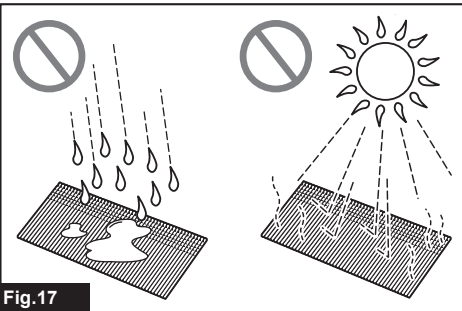
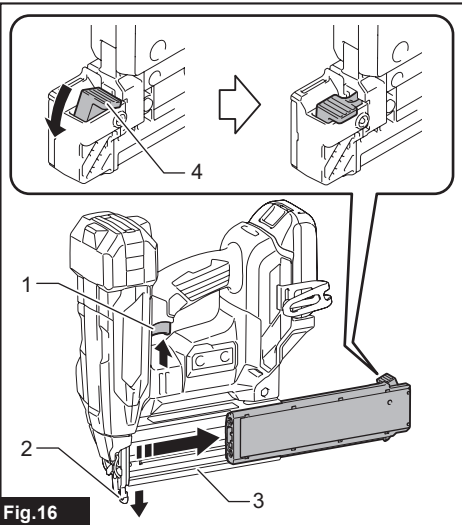
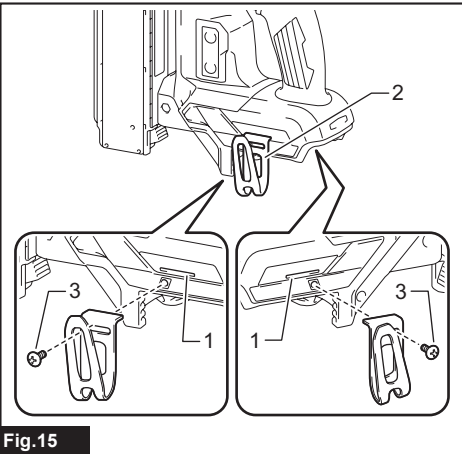
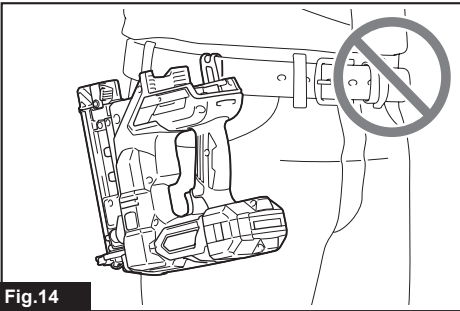
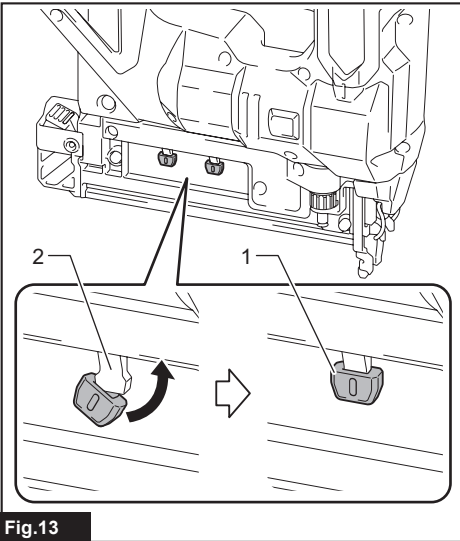
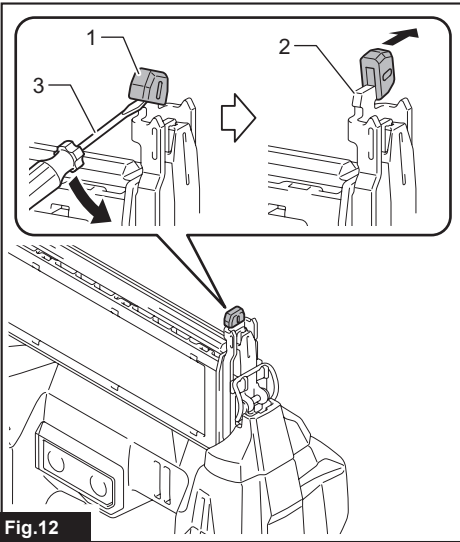


Fig.6





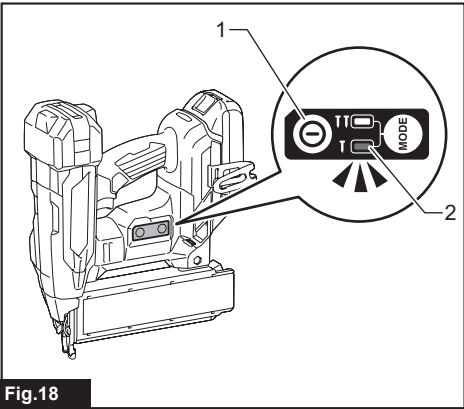


Fig.18

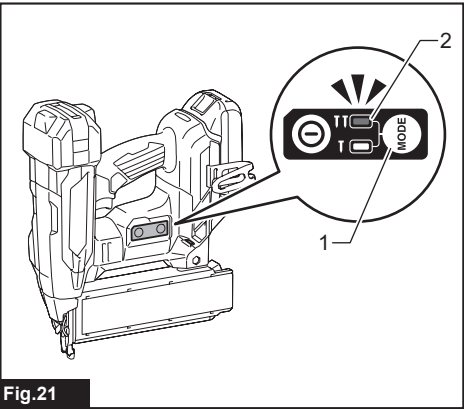


Fig.21

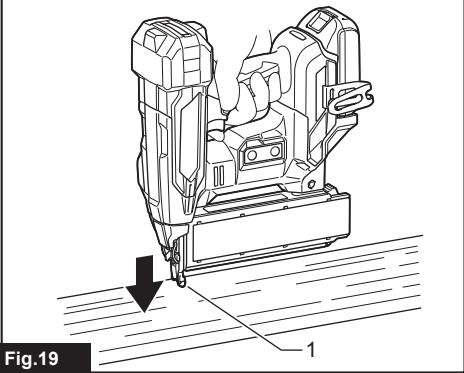


Fig.19

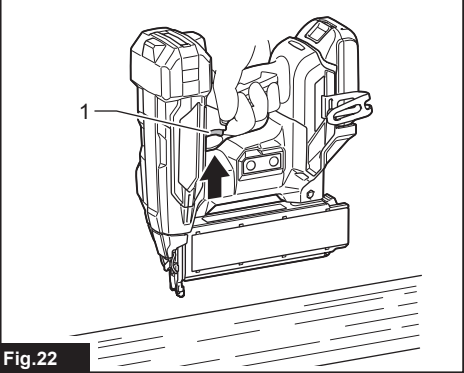


Fig.22

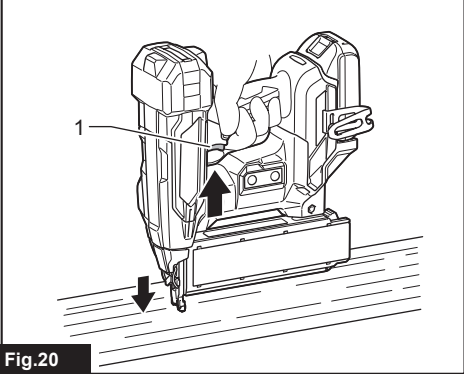


Fig.20

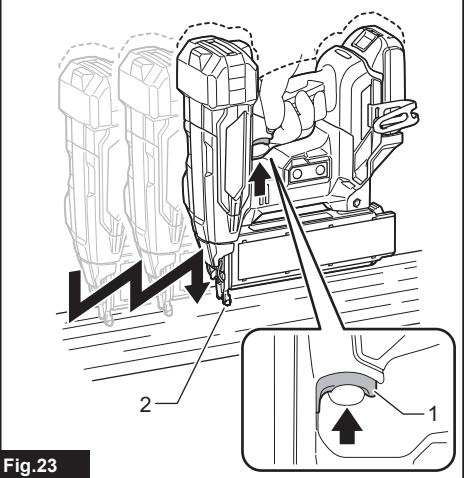


Fig.23

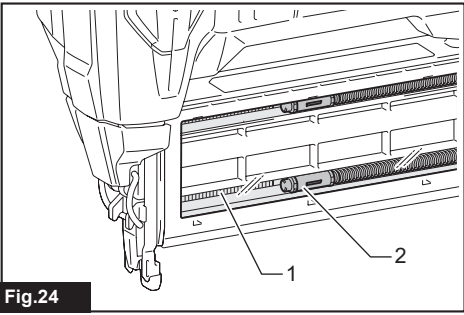


Fig.24

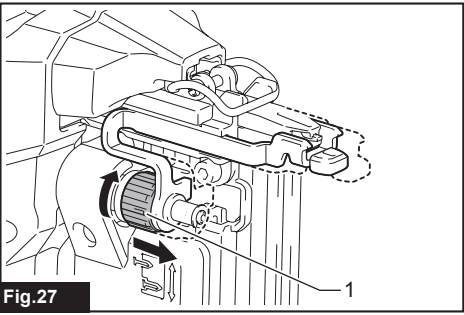


Fig.27

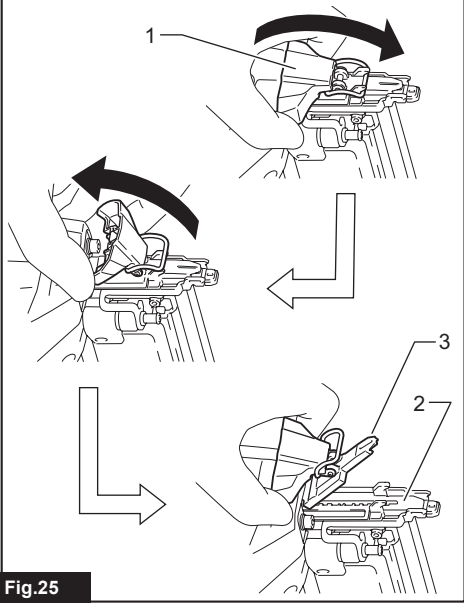


Fig.25

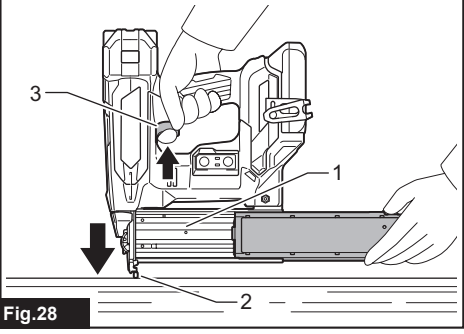


Fig.28

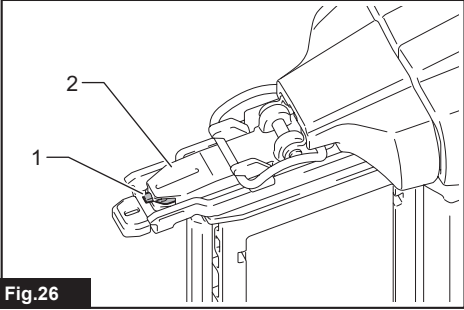


Fig.26

SPECIFICATIONS

Model:	DBN501
Nail size	18 Ga x 15 / 20 / 25 / 30 / 32 / 35 / 38 / 40 / 45 / 50 mm
Magazine capacity	110 pcs.
Dimensions (L x W x H) ^{1 2}	246 mm x 96 mm x 301 mm
Rated voltage	D.C. 18 V
Net weight	2.7 - 3.0 kg

¹ without hook

² with BL1820B

NOTE: Nails are referred to as "fasteners" in this instruction manual unless otherwise specified.

- Due to our continuing program of research and development, the specifications herein are subject to change without notice.
- Specifications may differ from country to country.
- The net weight value includes the lightest and heaviest combination of the attachment(s) and battery car-ridge(s) which are specified in the instruction manual.

Applicable battery cartridge and charger

Battery cartridge	BL1815N / BL1820B / BL1830B / BL1840B / BL1850B / BL1860B
Charger	DC18RC / DC18RD / DC18RE / DC18SD / DC18SE / DC18SF / DC18SH / DC18WC

- Some of the battery cartridges and chargers listed above may not be available depending on your region of residence.

⚠ WARNING: Only use the battery cartridges and chargers listed above. Use of any other battery cartridges and chargers may cause injury and/or fire.

Symbols

The followings show the symbols which may be used for the equipment. Be sure that you understand their meaning before use.

	Read instruction manual.
	Wear eye protection.
	Wear ear protection.
	Do not use on scaffoldings, ladders.
	Keep fingers away from trigger when not driving fasteners to avoid accidental firing.



Ni-MH
Li-ion

Only for EU countries

Due to the presence of hazardous components in the equipment, waste electrical and electronic equipment, accumulators and batteries may have a negative impact on the environment and human health. Do not dispose of electrical and electronic appliances or batteries with household waste!

In accordance with the European Directive on waste electrical and electronic equipment and on accumulators and batteries, as well as their adaptation to national law, waste electrical equipment, batteries and accumulators should be stored separately and delivered to a separate collection point for municipal waste, operating in accordance with the regulations on environmental protection.

This is indicated by the symbol of the crossed-out wheeled bin placed on the equipment.

Intended use

This tool is intended for fastening on interior work and furniture work.

Noise

The typical A-weighted noise level determined according to EN60745-2-16:

Sound pressure level (L_{pA}) : 82 dB (A)

Sound power level (L_{WA}) : 93 dB (A)

Uncertainty (K) : 3 dB (A)

NOTE: The declared noise emission value(s) has been measured in accordance with a standard test method and may be used for comparing one tool with another.

NOTE: The declared noise emission value(s) can also be used in a preliminary assessment of exposure.

⚠ WARNING: Wear ear protection.

⚠ WARNING: The noise emission during actual use of the power tool can differ from the declared total value(s) depending on the ways in which the tool is used.

⚠ WARNING: Be sure to identify safety measures to protect the operator that are based on an estimation of exposure in the actual conditions of use (taking account of all parts of the operating cycle such as the times when the tool is switched off and when it is running idle in addition to the trigger time).

Vibration

The vibration total value determined according to EN60745-2-16:

Vibration emission (a_n) : 2.5 m/s² or less

Uncertainty (K) : 1.5 m/s²

NOTE: The declared vibration total value(s) has been measured in accordance with a standard test method and may be used for comparing one tool with another.

NOTE: The declared vibration total value(s) can also be used in a preliminary assessment of exposure.

⚠ WARNING: The vibration emission during actual use of the power tool can differ from the declared total value(s) depending on the ways in which the tool is used.

⚠ WARNING: Be sure to identify safety measures to protect the operator that are based on an estimation of exposure in the actual conditions of use (taking account of all parts of the operating cycle such as the times when the tool is switched off and when it is running idle in addition to the trigger time).

Declarations of Conformity

For European countries only

The Declarations of conformity are included in Annex A to this instruction manual.

SAFETY WARNINGS

General power tool safety warnings

⚠ WARNING Read all safety warnings, instructions, illustrations and specifications provided with

this power tool. Failure to follow all instructions listed below may result in electric shock, fire and/or serious injury.

Save all warnings and instructions for future reference.

The term "power tool" in the warnings refers to your mains-operated (corded) power tool or battery-operated (cordless) power tool.

Cordless nailer safety warnings

- Always assume that the tool contains fasteners.** Careless handling of the nailer can result in unexpected firing of fasteners and personal injury.
- Do not point the tool towards yourself or anyone nearby.** Unexpected triggering will discharge the fastener causing an injury.
- Do not actuate the tool unless the tool is placed firmly against the workpiece.** If the tool is not in contact with the workpiece, the fastener may be deflected away from your target.
- Disconnect the tool from the power source when the fastener jams in the tool.** While removing a jammed fastener, the nailer may be accidentally activated if it is plugged in.
- Use caution while removing a jammed fastener.** The mechanism may be under compression and the fastener may be forcefully discharged while attempting to free a jammed condition.
- Do not use this nailer for fastening electrical cables.** It is not designed for electric cable installation and may damage the insulation of electric cables thereby causing electric shock or fire hazards.
- Always wear safety glasses to protect your eyes from dust or fastener injury.**
- Keep hands and feet away from the ejection port area.**
- Always remove the battery cartridge before loading the fasteners, adjustment, inspection, maintenance or after operation is over.**
- Make sure no one is nearby before operation. Never attempt to drive fasteners from both the inside and outside of wall at the same time.** Fasteners may rip through and/or fly off, presenting a grave danger.
- Watch your footing and maintain your balance with the tool. Make sure there is no one below when working in high locations.**
- Never use fastener driving tools marked with the symbol "Do not use on scaffoldings, ladders" for specific application for example:**
 - when changing one driving location to another involves the use of scaffoldings, stairs, ladders, or ladder alike constructions, e.g. roof laths;
 - closing boxes or crates;
 - fitting transportation safety systems e.g. on vehicles and wagons.
- Check walls, ceilings, floors, roofing and the like carefully to avoid possible electrical shock, gas leakage, explosions, etc. caused by stapling into live wires, conduits or gas pipes.**

14. **Use only fasteners specified in this manual.**
The use of any other fasteners may cause malfunction of the tool.
15. **Do not tamper with the tool or attempt to use it for other than driving fasteners.**
16. **Do not operate the tool without fasteners.** It shortens the service life of the tool.
17. **Stop driving operations immediately if you notice something wrong or out of the ordinary with the tool.**
18. **Never fasten into any materials which may allow the fastener to puncture and fly through as a projectile.**
19. **Never actuate the switch trigger and contact element at the same time until you are prepared to fasten workpieces. Allow the workpiece to depress the contact element. Never defeat its purpose by securing the contact element back or by depressing it by hand.**
20. **Never tamper with the contact element. Check the contact element frequently for proper operations.**
21. **Always remove fasteners from the tool when not in use.**
22. **Avoid placing magnets or similar magnetic device too close to the tool.** It may affect the magnetic sensor in the tool.

SAVE THESE INSTRUCTIONS.

⚠WARNING: DO NOT let comfort or familiarity with product (gained from repeated use) replace strict adherence to safety rules for the subject product. MISUSE or failure to follow the safety rules stated in this instruction manual may cause serious personal injury.

Important safety instructions for battery cartridge

1. **Before using battery cartridge, read all instructions and cautionary markings on (1) battery charger, (2) battery, and (3) product using battery.**
2. **Do not disassemble or tamper with the battery cartridge.** It may result in a fire, excessive heat, or explosion.
3. **If operating time has become excessively shorter, stop operating immediately.** It may result in a risk of overheating, possible burns and even an explosion.
4. **If electrolyte gets into your eyes, rinse them out with clear water and seek medical attention right away.** It may result in loss of your eyesight.
5. **Do not short the battery cartridge:**
 - (1) **Do not touch the terminals with any conductive material.**
 - (2) **Avoid storing battery cartridge in a container with other metal objects such as nails, coins, etc.**
 - (3) **Do not expose battery cartridge to water or rain.**

A battery short can cause a large current flow, overheating, possible burns and even a

breakdown.

6. **Do not store and use the tool and battery cartridge in locations where the temperature may reach or exceed 50 °C (122 °F).**
7. **Do not incinerate the battery cartridge even if it is severely damaged or is completely worn out. The battery cartridge can explode in a fire.**
8. **Do not nail, cut, crush, throw, drop the battery cartridge, or hit against a hard object to the battery cartridge.** Such conduct may result in a fire, excessive heat, or explosion.
9. **Do not use a damaged battery.**
10. **The contained lithium-ion batteries are subject to the Dangerous Goods Legislation requirements.**
For commercial transports e.g. by third parties, forwarding agents, special requirement on packaging and labeling must be observed. For preparation of the item being shipped, consulting an expert for hazardous material is required. Please also observe possibly more detailed national regulations.
Tape or mask off open contacts and pack up the battery in such a manner that it cannot move around in the packaging.
11. **When disposing the battery cartridge, remove it from the tool and dispose of it in a safe place. Follow your local regulations relating to disposal of battery.**
12. **Use the batteries only with the products specified by Makita.** Installing the batteries to non-compliant products may result in a fire, excessive heat, explosion, or leak of electrolyte.
13. **If the tool is not used for a long period of time, the battery must be removed from the tool.**
14. **During and after use, the battery cartridge may take on heat which can cause burns or low temperature burns. Pay attention to the handling of hot battery cartridges.**
15. **Do not touch the terminal of the tool immediately after use as it may get hot enough to cause burns.**
16. **Do not allow chips, dust, or soil stuck into the terminals, holes, and grooves of the battery cartridge.** It may cause heating, catching fire, burst and malfunction of the tool or battery cartridge, resulting in burns or personal injury.
17. **Unless the tool supports the use near high-voltage electrical power lines, do not use the battery cartridge near high-voltage electrical power lines.** It may result in a malfunction or breakdown of the tool or battery cartridge.
18. **Keep the battery away from children.**

SAVE THESE INSTRUCTIONS.

⚠CAUTION: Only use genuine Makita batteries. Use of non-genuine Makita batteries, or batteries that have been altered, may result in the battery bursting causing fires, personal injury and damage. It will also void the Makita warranty for the Makita tool and charger.

NOTICE: Makita is not responsible for any accidents resulting from the use of non-genuine Makita batteries or batteries that have been modified. Genuine Makita batteries have been rigorously evaluated for compatibility with Makita tools and chargers, in line with applicable legislation and safety standards.

Tips for maintaining maximum battery life

1. Charge the battery cartridge before completely discharged. Always stop tool operation and charge the battery cartridge when you notice less tool power.
2. Never recharge a fully charged battery cartridge. Overcharging shortens the battery service life.
3. Charge the battery cartridge with room temperature at 10 °C - 40 °C (50 °F - 104 °F). Let a hot battery cartridge cool down before charging it.
4. When not using the battery cartridge, remove it from the tool or the charger.
5. Charge the battery cartridge if you do not use it for a long period (more than six months).

FUNCTIONAL DESCRIPTION

CAUTION: Always be sure that the tool is switched off and the battery cartridge is removed before adjusting or checking function on the tool.

Installing or removing battery cartridge

CAUTION: Always switch off the tool before installing or removing of the battery cartridge.

CAUTION: Hold the tool and the battery cartridge firmly when installing or removing battery cartridge. Failure to hold the tool and the battery cartridge firmly may cause them to slip off your hands and result in damage to the tool and battery cartridge and a personal injury.

To install the battery cartridge, align the tongue on the battery cartridge with the groove in the housing and slip it into place. Insert it all the way until it locks in place with a little click. If you can see the red indicator as shown in the figure, it is not locked completely.

To remove the battery cartridge, slide it from the tool while sliding the button on the front of the cartridge.

► Fig.1: 1. Red indicator 2. Button 3. Battery cartridge

CAUTION: Always install the battery cartridge fully until the red indicator cannot be seen. If not, it may accidentally fall out of the tool, causing injury to you or someone around you.

CAUTION: Do not install the battery cartridge forcibly. If the cartridge does not slide in easily, it is not being inserted correctly.

Indicating the remaining battery capacity

Only for battery cartridges with the indicator

Press the check button on the battery cartridge to indicate the remaining battery capacity. The indicator lamps light up for a few seconds.

► Fig.2: 1. Indicator lamps 2. Check button

Indicator lamps			Remaining capacity
Lighted	Off	Blinking	
■	■	■	75% to 100%
■	■	□	50% to 75%
■	□	□	25% to 50%
■	□	□	0% to 25%
▣	□	□	Charge the battery.
■	■	□	The battery may have malfunctioned.
□	□	■	

NOTE: Depending on the conditions of use and the ambient temperature, the indication may differ slightly from the actual capacity.

NOTE: The first (far left) indicator lamp will blink when the battery protection system works.







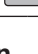
Tool / battery protection system

The tool is equipped with a tool/battery protection system. This system automatically cuts off power to the motor to extend tool and battery life. The tool will automatically stop during operation if the tool or battery is placed under one of the following conditions.

► Fig.3: 1. Lamp 2. Power/mode indicator

NOTE: The switch design varies depending on your region of residence.

Protection status indication

Lamp		Power/mode indicator		Status
				
On	Blinking	On	Blinking	
				Overload
				Overheat

Overload protection

When the tool/battery is operated in a manner that causes it to draw an abnormally high current, the tool automatically stops. In this situation, turn the tool off and stop the application that caused the tool to become overloaded. Then turn the tool on to restart.

Overheat protection

When the tool/battery is overheated, the tool stops automatically. In this situation, let the tool cool down before turning the tool on again.

Overdischarge protection

When the battery capacity becomes low, the tool stops automatically. If the product does not operate even when the switches are operated, remove the battery(ies) from the tool and charge the battery(ies).

Protections against other causes

Protection system is also designed for other causes that could damage the tool and allows the tool to stop automatically. Take all the following steps to clear the causes, when the tool has been brought to a temporary halt or stop in operation.

1. Make sure that all switch(es) is/are in the off position, and then turn the tool on again to restart.
2. Charge the battery(ies) or replace it/them with recharged battery(ies).
3. Let the tool and battery(ies) cool down.

If no improvement can be found by restoring protection system, then contact your local Makita Service Center.

Power switch action

CAUTION: Before installing the battery cartridge into the tool, always check to see that the switch trigger actuates properly and returns to the "OFF" position when released.

To turn on the tool, press and hold the main power button until the power indicator lights up.
To turn off the tool, press and hold the main power button until the power indicator goes off.

NOTE: The switch design varies depending on your region of residence.

► Fig.4: 1. Main power button 2. Power indicator

NOTE: The tool cannot be turned on while either the switch trigger or the contact element is actuated. Be sure to release the switch trigger and the contact element before turning on the tool.

NOTE: The tool cannot be turned off while driving fasteners.

NOTE: The main power switch will automatically shut down if the tool is left unattended for an extended duration.




Selecting actuation mode


Country specific

NOTE: Only a single driving mode is available in some regions or countries. The switch design varies depending on your region of residence.

The tool employs a selective-actuation triggering. Press and shortly hold the actuation mode switch button to select the desired actuation mode.

► Fig.5: 1. Actuation mode switch button
2. Sequential actuation mode 3. Contact actuation mode

Mode switch	Actuation mode	Feature
	Full sequential actuation	Drive one fastener in one sequential operation. Suitable for driving a fastener carefully and accurately and helpful when you require precise fastener placement.
 	Contact actuation	Either a single driving or continuous driving is available. Preferred when you require high productive fastener placement.

 : Unavailable in some regions and countries.

NOTE: Actuation mode cannot be switched to another while either the switch trigger or the contact element is actuated.

Adjusting the driving depth

WARNING: Always make sure that your fingers are not placed on the switch trigger or the contact element and the battery cartridge is removed before adjusting the depth of driving.

Turn the depth adjuster to adjust the driving depth. The driving depth gets deeper as you turn the depth adjuster to A direction, shallower to B direction in the figure. The range of the driving depth adjustment is 8.0 mm.

► Fig.6: 1. Depth adjuster

NOTICE: Do not turn the depth adjuster too much, or the depth adjuster may get stuck.

Adjust the driving depth as necessary.

► Fig.7: 1. Too deep 2. Flush 3. Too shallow

Lighting up the lamp

CAUTION: Do not look in the light or see the source of light directly.

Pull the switch trigger or actuate the contact element to light up the lamp. The lamp keeps on lighting while pulling the switch trigger or actuating the contact element. The lamp goes out several seconds after releasing the switch trigger and the contact element.

► **Fig.8:** 1. Switch trigger 2. Contact element 3. Lamp

NOTICE: Use a dry cloth to wipe the dirt off the lens of the lamp. Be careful not to scratch the lens of lamp, or it may lower the illumination.

NOTICE: When the tool is overheated, the lamp flashes. In this case, release the switch trigger and contact element, and then cool down the tool/battery before operating again.

NOTE: The tool may not fire after the battery becomes low on power even while the lamp remains lit. In this case, charge the battery cartridge.

ASSEMBLY

CAUTION: Always be sure that the tool is switched off and the battery cartridge is removed before carrying out any work on the tool.

Loading/unloading the fasteners

CAUTION: Always make sure that the battery cartridge is removed before loading the fasteners. Unintentional firing may cause personal injuries and property damage.

CAUTION: Do not abruptly slide the slide door of the nailer loaded with fasteners.

Accidentally dropping fasteners especially when working in high places may cause personal injuries.

CAUTION: Load the fasteners in the correct direction. Loading in wrong direction may cause premature wear and tear of the driver and damage of the other parts.

NOTICE: Do not use deformed fasteners and fastener strips. Use fasteners specified in this manual. Using fasteners other than those specified may cause fastener jamming and malfunction.

1. Remove the battery cartridge.
2. Press the lever and open the slide door of the magazine.

► **Fig.9:** 1. Lever 2. Slide door 3. Magazine

3. Set a fastener strip so that the fastener tips are between the magazine plate and the magazine, and slide the fastener strip toward the driver guide.

► **Fig.10:** 1. Fastener strip 2. Magazine plate 3. Magazine 4. Driver guide

4. Return the slide door to the original position until the lever locks it.

To remove the fasteners, press the lever and slide the slide door. Take out fasteners from the magazine.

Nose adapter

CAUTION: Always make sure that your fingers are not placed on the switch trigger or the contact element, remove all the fasteners left in the magazine, and remove the battery cartridge before attaching or detaching the nose adapter.

When driving fasteners on the material with easily-marred surfaces, attach the nose adapter onto the contact element.

Attaching nose adapter

Put the nose adapter on the contact element. Make sure that the nose adapter fits perfectly as illustrated.

► **Fig.11:** 1. Nose adapter 2. Contact element

Detaching nose adapter

The nose adapter can be removed by hand.

NOTE: When you cannot remove the nose adapter by hand, insert the slotted screwdriver between the nose adapter and contact element and remove the nose adapter.

► **Fig.12:** 1. Nose adapter 2. Contact element 3. Slotted screwdriver

NOTE: You can store the nose adapter on the holder as shown in the figure to keep it from being lost.

► **Fig.13:** 1. Nose adapter 2. Holder

Hook

WARNING: Be careful not to overload the hook as too much force. Otherwise irregular overburden may cause damages to the tool resulting in personal injury.

CAUTION: Do not hang the hook from the waist belt. Dropping the tool, which is caused by the hook accidentally coming out of place, may cause unintentional firing and result in personal injuries.

► **Fig.14**

CAUTION: When installing the hook, always secure it with the screw firmly. If not, the hook may come off from the tool and result in the personal injury.

CAUTION: Use the hanging/mounting parts for their intended purposes only. Using for unintended purpose may cause accident or personal injury.

CAUTION: Make sure to hang the tool securely before releasing your hold. Insufficient or unbalanced hooking may cause falling off and you may be injured.

The hook is convenient for temporarily hanging the

tool. Hang the tool on a tool rack, rail or the wall with the hook.

The hook can be installed on either side of the tool. To install the hook, insert it into a groove in the tool housing on either side and then secure it with the screw as shown in the figure. To remove, loosen the screw and then remove the hook.

► **Fig.15:** 1. Groove 2. Hook 3. Screw

OPERATION

Testing safety system

⚠ WARNING: Make sure all safety systems are in working order before operation. Failure to do so may cause personal injuries.

► **Fig.16:** 1. Switch trigger 2. Contact element 3. Magazine 4. Lever

Test safety system as follows for possible fault or malfunction before operation.

1. Remove the battery cartridge from the tool. Then unload all the fasteners left in the magazine.
2. Install the battery cartridge in place and turn the tool on.
3. Pull the switch trigger without placing the contact element against the material.
4. Open the magazine and keep it opened. Then place the contact element against the material without pulling the switch trigger.

If the tool works in case step 3 or 4 described above, safety system is not functioning properly. Stop using the tool immediately and ask your local Makita Service Center.

Handling of the fasteners

Nails

Handle nails and their box carefully. If the nails have been handled roughly, they may be out of shape or their connector breaks, causing poor nail feed.

NOTICE: Avoid storing nails in a very humid or hot place or place exposed to direct sunlight.

► **Fig.17**

Driving fasteners

⚠ WARNING: Keep your face away from the tool when operating the tool. Failure to do so may cause injury.

⚠ WARNING: Do not use this tool for fastening electrical cables. This tool is not designed for electric cable installation and may damage the insulation of electric cables thereby causing electric shock or fire hazards.

⚠ WARNING: Continue to place the contact element firmly on the material until the fastener is driven completely. Unintentional firing may cause personal injuries.

⚠ CAUTION: Hold the tool firmly during operation.

⚠ CAUTION: Do not drive fasteners on hard materials such as metal or the like. If the fastener cannot penetrate the material, the tool may be kicked back toward you and injury result.

NOTICE: The tool will not start fastening after five seconds no switch operation while either the switch trigger or the contact element is being solely actuated. Release the switch trigger or pull the contact element free from the workpiece, and then reposition the tool in place to restart fastening.

NOTE: If you drive fasteners continuously for a long time, the exhaust air will get hot due to the heat from the motor.

The tool employs two driving actions; full sequential actuation and contact actuation.

NOTE: Only a single driving mode (full sequential actuation) is available in some regions or countries. The switch design varies depending on your region of residence.

Full sequential actuation

In this mode, you can drive one fastener by one sequential operation.

A workpiece contact and then a trigger need to be activated in a specific sequence to actuate the tool. Release and re-activate the switch controls in the same sequence to continue driving fasteners.

1. Press and hold the main power button to turn on the tool.
2. Make sure that the sequential actuation mode lamp lights up.

► **Fig.18:** 1. Main power button 2. Sequential actuation mode lamp

3. Place the contact element flat on the material.

► **Fig.19:** 1. Contact element

4. Pull the switch trigger fully to drive a fastener.

► **Fig.20:** 1. Switch trigger

5. Release your finger from the switch trigger. Then lift the contact element up from the material.

To drive the next fastener, repeat the steps 3 to 5 in the same sequence.

Contact actuation

Country specific

In this mode, you can choose either continuous or single driving by following any sequences of the trigger operation.

A workpiece contact and a trigger can be activated in any sequences to actuate the tool. Release and re-activate the workpiece contact to continuously drive fasteners.

For a single driving

1. Press and hold the main power button to turn on the tool.
2. Press and shortly hold the actuation mode switch button to select the contact actuation mode.

The contact actuation mode lamp lights up.

► **Fig.21:** 1. Actuation mode switch button 2. Contact actuation mode lamp

3. Place the contact element flat on the material.
4. Pull the switch trigger fully to drive a fastener.
5. Release your finger from the switch trigger. Then lift the contact element up from the material.

To drive the next fastener, repeat the steps 3 to 5 in the same sequence.

For a continuous driving

1. Press and hold the main power button to turn on the tool.
2. Press and shortly hold the actuation mode switch button to select the contact actuation mode.

The contact actuation mode lamp lights up.

3. Pull the switch trigger.
- **Fig.22:** 1. Switch trigger

4. Place the contact element flat on the material to drive a fastener.
 5. Move the tool to the next areas with the switch trigger pulled, and place the contact element flat on the material to drive following fasteners.
- **Fig.23:** 1. Switch trigger 2. Contact element

Anti dry fire mechanism

When the remaining fasteners in the magazine decrease to 5 - 7 pieces, the switch can no longer be actuated and the tool stops firing. Insert a new strip of fasteners in the magazine before restarting operation.

Checking remaining fasteners

You can check the amount of remaining fasteners through the sight window.

The indicator moves toward firing opening as the amount of remaining fasteners becomes smaller.

► **Fig.24:** 1. Sight window 2. Indicator

Removing jammed fasteners

⚠ WARNING: Always make sure that the battery cartridge and fasteners are removed before removing jammed fasteners.

⚠ WARNING: Do not push on the fastener driver forcibly. Do not strike the fastener driver and fasteners with any hand tools to clear jams. Mind that the tool is charged with compressed air and the pressure is maintained inside. Failure to follow the safety precautions in the manual can result in serious injury.

⚠ WARNING: Never point the tool at yourself or other persons nearby when clearing jams. Failure to do so may cause a risk of injury by misfiring since the tool is charged with compressed air in a factory sealed chamber.

⚠ CAUTION: Do not remove the jammed fasteners with bare hands. The fastener may jump out of the magazine and cause an injury.

⚠ CAUTION: To address frequent jamming or hard-to-clear jamming situations, consult your local Makita Service Center.

⚠ CAUTION: Be sure to lock the latch after removing jammed fasteners.

When a fastener jamming occurs, look over closely the fastener feeding and driving unit. Jams tend to be caused by fasteners wedged between the fastener driver and the under driver guide.

To clear a jam, release the latch and open the driver guide. Remove the jammed fasteners and lock the latch.

► **Fig.25:** 1. Latch 2. Under driver guide 3. Driver guide

MAINTENANCE

⚠ WARNING: Do not disassemble this tool. This tool is sealed with compressed air and disassembly may result in serious injury.



⚠ CAUTION: Always be sure that the tool is switched off and the battery cartridge is removed before attempting to perform inspection or maintenance.

NOTICE: Never use gasoline, benzene, thinner, alcohol or the like. Discoloration, deformation or cracks may result.

To maintain product SAFETY and RELIABILITY, repairs, any other maintenance or adjustment should be performed by Makita Authorized or Factory Service Centers, always using Makita replacement parts.

Initializing driver position

The driver may not be positioned correctly behind the fastener to be driven next after a fastener jamming or under low battery condition. Always perform initialization steps before you restart operation.

1. Remove the battery cartridge from the tool.
2. Take out all the fasteners left in the magazine.
3. Observe the driver position.

If you see the driver tip out of the driver guide, the contact element cannot correctly be actuated during initialization.

► **Fig.26:** 1. Driver 2. Driver guide

Turn the depth adjuster to set the shallowest so that the contact element functions properly.

► **Fig.27:** 1. Depth adjuster

4. Install the battery cartridge in place and turn the tool on.
5. Open the magazine and keep it opened. Then place the contact element against the material that can be damaged.
6. Pull the switch trigger fully, with the contact element actuated, to reset the driver position.

► **Fig.28:** 1. Magazine 2. Contact element 3. Switch trigger

The driver position will be initialized correctly.

7. Remove the battery cartridge from the tool. Reload the fasteners in the magazine. Place the battery cartridge back into the tool.

OPTIONAL ACCESSORIES

⚠ CAUTION: These accessories or attachments are recommended for use with your Makita tool specified in this manual. The use of any other accessories or attachments might present a risk of injury to persons. Only use accessory or attachment for its stated purpose.

If you need any assistance for more details regarding these accessories, ask your local Makita Service Center.

- Nails
- Makita genuine battery and charger

NOTE: Some items in the list may be included in the tool package as standard accessories. They may differ from country to country.

SPÉCIFICATIONS

Modèle :	DBN501
Taille des clous	18 Ga x 15 / 20 / 25 / 30 / 32 / 35 / 38 / 40 / 45 / 50 mm
Capacité du magasin	110 pièces
Dimensions (L x l x H) ^{1 2}	246 mm x 96 mm x 301 mm
Tension nominale	18 V CC
Poids net	2,7 à 3,0 kg

¹ sans crochet

² avec BL1820B

NOTE : Les clous sont appelés « éléments de fixation » dans ce manuel d'instructions, sauf indication contraire.

- Étant donné l'évolution constante de notre programme de recherche et de développement, les spécifications contenues dans ce manuel sont sujettes à modification sans préavis.
- Les spécifications peuvent varier suivant les pays.
- Le poids net inclut le poids combiné le plus léger et le plus lourd du ou des accessoires et de la ou des batteries spécifiés dans le mode d'emploi.

Batterie et chargeur applicables





Batterie	BL1815N / BL1820B / BL1830B / BL1840B / BL1850B / BL1860B
Chargeur	DC18RC / DC18RD / DC18RE / DC18SD / DC18SE / DC18SF / DC18SH / DC18WC

- Certains chargeurs et batteries répertoriés ci-dessus peuvent ne pas être disponibles selon la région où vous résidez.

⚠ AVERTISSEMENT : N'utilisez que les batteries et les chargeurs répertoriés ci-dessus. L'utilisation d'autres batteries et chargeurs peut provoquer des blessures et/ou un incendie.

Symboles

Vous trouverez ci-dessous les symboles susceptibles d'être utilisés pour l'appareil. Veuillez à comprendre leur signification avant toute utilisation.

	Lire le mode d'emploi.
	Portez une protection oculaire.
	Portez un dispositif de protection auditive.
	Ne pas utiliser sur un échafaudage ou une échelle.
	Éloignez les doigts de la gâchette lorsque vous n'enfoncez pas de fixations pour éviter une éjection accidentelle.



Pour les pays de l'Union européenne uniquement

En raison de la présence de composants dangereux dans l'équipement, les déchets d'équipements électriques et électroniques, les accumulateurs et les batteries peuvent avoir un impact négatif sur l'environnement et la santé humaine.

Ne jetez pas les appareils électriques et électroniques ou les batteries avec les ordures ménagères !

Conformément à la directive européenne relative aux déchets d'équipements électriques et électroniques et aux déchets d'accumulateurs et de batteries, ainsi qu'à son adaptation à la législation nationale, les déchets d'équipements électriques, les batteries et les accumulateurs doivent être collectés séparément et déposés dans un point de collecte distinct pour déchets urbains, conformément aux réglementations en matière de protection de l'environnement.

Cela est indiqué par le symbole de la poubelle à roulettes barrée sur l'équipement.

Utilisations

Cet outil est conçu pour les travaux d'intérieur et d'ameublement.

Bruit

Niveau de bruit pondéré A typique, déterminé selon EN60745-2-16 :

Niveau de pression sonore (L_{pA}) : 82 dB (A)

Niveau de puissance sonore (L_{WA}) : 93 dB (A)

Incertitude (K) : 3 dB (A)

NOTE : La ou les valeurs d'émission de bruit déclarées ont été mesurées conformément à la méthode de test standard et peuvent être utilisées pour comparer les outils entre eux.

NOTE : La ou les valeurs d'émission de bruit déclarées peuvent aussi être utilisées pour l'évaluation préliminaire de l'exposition.

⚠ AVERTISSEMENT : Portez un serre-tête antibruit.

⚠ AVERTISSEMENT : L'émission de bruit lors de l'usage réel de l'outil électrique peut être différente de la ou des valeurs totales déclarées, suivant la façon dont l'outil est utilisé.

⚠ AVERTISSEMENT : Les mesures de sécurité à prendre pour protéger l'utilisateur doivent être basées sur une estimation de l'exposition dans des conditions réelles d'utilisation (en tenant compte de toutes les composantes du cycle d'utilisation, comme par exemple le moment de sa mise hors tension, lorsqu'il tourne à vide et le moment de son déclenchement).

Vibrations

Valeur totale de vibration déterminée selon

EN60745-2-16 :

Émission de vibrations (a_h) : 2,5 m/s² ou moins

Incertitude (K) : 1,5 m/s²

NOTE : La ou les valeurs de vibration totales déclarées ont été mesurées conformément à la méthode de test standard et peuvent être utilisées pour comparer les outils entre eux.

NOTE : La ou les valeurs totales de vibration déclarées peuvent aussi être utilisées pour l'évaluation préliminaire de l'exposition.

⚠ AVERTISSEMENT : L'émission de vibrations lors de l'usage réel de l'outil électrique peut être différente de la ou des valeurs totales déclarées, suivant la façon dont l'outil est utilisé.

⚠ AVERTISSEMENT : Les mesures de sécurité à prendre pour protéger l'utilisateur doivent être basées sur une estimation de l'exposition dans des conditions réelles d'utilisation (en tenant compte de toutes les composantes du cycle d'utilisation, comme par exemple le moment de sa mise hors tension, lorsqu'il tourne à vide et le moment de son déclenchement).

Déclarations de conformité

Pour les pays européens uniquement

Les déclarations de conformité sont fournies en Annexe A à ce mode d'emploi.

CONSIGNES DE SÉCURITÉ

Consignes de sécurité générales pour outils électriques

⚠ AVERTISSEMENT Veuillez lire toutes les consignes de sécurité, instructions, illustrations et spécifications qui accompagnent cet outil électrique. Le non-respect de toutes les instructions indiquées ci-dessous peut entraîner une électrocution, un incendie et/ou de graves blessures.

Conservez toutes les mises en garde et instructions pour référence ultérieure.

Le terme « outil électrique » dans les avertissements fait référence à l'outil électrique alimenté par le secteur (avec cordon d'alimentation) ou à l'outil électrique fonctionnant sur batterie (sans cordon d'alimentation).

Consignes de sécurité pour cloueur sans fil

1. **Prenez toujours pour acquis que l'outil contient des éléments de fixation.** Une manipulation imprudente du cloueur peut provoquer une projection inattendue des éléments de fixation et des blessures corporelles.
2. **Ne dirigez pas l'outil vers vous-même ou vers quiconque se trouvant à proximité.** Un déclenchement inattendu de la gâchette expulsera un élément de fixation entraînant des blessures.
3. **N'enclenchez l'outil qu'après l'avoir appuyé fermement contre la pièce.** Si l'outil n'est pas en contact avec la pièce, le élément de fixation peut être dévié de sa cible.
4. **Débranchez toujours l'outil de sa source d'alimentation lorsqu'un élément de fixation est coincé dans l'outil.** Lorsque vous retirez un élément de fixation coincé, vous risquez de déclencher accidentellement le cloueur si celui-ci est branché.
5. **Prenez garde lorsque vous retirez un élément de fixation coincé.** Le mécanisme peut être comprimé et le élément de fixation peut être propulsé énergiquement pendant que vous essayez de le décoincer.
6. **N'utilisez pas ce cloueur pour fixer des câbles électriques.** Il n'est pas conçu pour la pose de câbles électriques et peut endommager leur gaine isolante, ce qui comporte un risque d'électrocution et d'incendie.
7. **Portez toujours des lunettes de sécurité pour protéger vos yeux contre toute blessure au contact de la poussière ou d'une vis.**
8. **Gardez les mains et les pieds à l'écart de la zone de sortie d'éjection.**
9. **Retirez toujours la batterie avant de charger des éléments de fixation, de procéder à un réglage, une inspection ou l'entretien, ou**

après utilisation.

10. **Assurez-vous que personne ne se trouve à proximité avant utilisation. N'essayez jamais d'enfoncer des éléments de fixation à la fois des côtés intérieur et extérieur du mur en même temps.** Cela est très dangereux, puisque les éléments de fixation risquent alors de passer à travers et/ou d'être projetés.
11. **Regardez où vous posez les pieds et maintenez un bon équilibre pendant l'utilisation de l'outil. Assurez-vous que personne ne se trouve dessous lorsque vous utilisez l'outil en hauteur.**
12. **N'utilisez jamais des outils destinés à enfoncer des éléments de fixation portant la mention « Ne pas utiliser sur un échafaudage ou une échelle » dans les cas suivants :**
 - Lors que le passage d'un lieu d'utilisation à un autre implique l'utilisation d'échafaudages, d'escaliers ou d'échelles ou de structures similaires, par exemple des lattes de toiture ;
 - Pour fermer des boîtes ou des caisses ;
 - Pour installer des systèmes assurant la sécurité lors du transport, par exemple sur des véhicules ou des wagons.
13. **Vérifiez soigneusement le mur, plafond, plancher, toit ou autre structure pour éviter les risques d'électrocution, de fuite de gaz, d'explosion, etc., en agrafant des fils dénudés, des conduites ou des tuyaux de gaz.**
14. **Utilisez exclusivement les éléments de fixation spécifiés dans le présent manuel.** L'utilisation d'autres éléments de fixation peut causer le dysfonctionnement de l'outil.
15. **Ne modifiez pas l'outil ni n'essayez de l'utiliser pour une autre tâche qu'enfoncer des éléments de fixation.**
16. **N'utilisez pas l'outil sans éléments de fixation.** Cela réduit la durée de vie de l'outil.
17. **Cessez immédiatement l'utilisation si vous constatez un dysfonctionnement ou une anomalie sur l'outil.**
18. **N'enfonchez jamais de éléments de fixation dans des matériaux qu'ils peuvent percer et traverser comme des projectiles.**
19. **N'actionnez jamais simultanément la gâchette et l'élément de contact avant d'être prêt à fixer les pièces. Le contact avec la pièce doit enfoncer l'élément de contact. N'ignorez pas le rôle de l'élément de contact en le bloquant ou en l'enfonçant manuellement.**
20. **Ne modifiez jamais l'élément de contact. Inspectez régulièrement le bon fonctionnement de l'élément de contact.**
21. **Retirez toujours les éléments de fixation de l'outil lorsque vous ne l'utilisez pas.**
22. **Évitez de placer des aimants ou un dispositif magnétique semblable trop près de l'outil.** Cela pourrait affecter le capteur magnétique de l'outil.

CONSERVEZ CES INSTRUCTIONS.

AVERTISSEMENT : NE vous laissez PAS tromper (au fil d'une utilisation répétée) par un sentiment d'aisance et de familiarité avec le produit, en négligeant le respect rigoureux des consignes de sécurité qui accompagnent le produit en question. La MAUVAISE UTILISATION de l'outil ou l'ignorance des consignes de sécurité indiquées dans ce mode d'emploi peut entraîner de graves blessures.

Consignes de sécurité importantes pour la batterie

1. **Avant d'utiliser la batterie, lisez toutes les instructions et précautions relatives (1) au chargeur de batterie, (2) à la batterie, et (3) au produit utilisant la batterie.**
2. **Ne désassemblez pas et ne modifiez pas la batterie.** Cela pourrait entraîner un incendie, une chaleur excessive ou une explosion.
3. **Cessez immédiatement l'utilisation si le temps de fonctionnement devient excessivement court. Il y a risque de surchauffe, de brûlures, voire d'explosion.**
4. **Si l'électrolyte pénètre dans vos yeux, rincez-les à l'eau claire et consultez immédiatement un médecin. Il y a risque de perte de la vue.**
5. **Ne court-circuitez pas la batterie :**
 - (1) **Ne touchez les bornes avec aucun matériau conducteur.**
 - (2) **Évitez de ranger la batterie dans un conteneur avec d'autres objets métalliques, par exemple des clous, des pièces de monnaie, etc.**
 - (3) **N'exposez pas la batterie à l'eau ou à la pluie.****Un court-circuit de la batterie peut provoquer une intensité de courant élevée, une surchauffe, parfois des brûlures et même une panne.**
6. **Ne rangez ni n'utilisez l'outil et la batterie dans un endroit où la température risque d'atteindre ou de dépasser 50 °C.**
7. **Ne jetez pas la batterie au feu même si elle est sérieusement endommagée ou complètement épuisée. La batterie peut exploser au contact du feu.**
8. **Abstenez-vous de clouer, couper, écraser, jeter, laisser tomber la batterie, ou de la heurter contre un objet dur.** Cela pourrait entraîner un incendie, une chaleur excessive ou une explosion.
9. **N'utilisez pas la batterie si elle est endommagée.**
10. **Les batteries au lithium-ion contenues sont soumises aux exigences de la législation sur les marchandises dangereuses.**

Lors du transport commercial par des tierces parties ou des transitaires par exemple, des exigences spécifiques en matière d'étiquetage et d'emballage doivent être respectées.

Pour la préparation de l'article expédié, il est nécessaire de consulter un expert en matériau

dangereux. Veuillez également respecter les réglementations nationales susceptibles d'être plus détaillées.

Recouvrez les contacts exposés avec du ruban adhésif ou du ruban de masquage et emballez la batterie de telle sorte qu'elle ne puisse pas bouger dans l'emballage.

11. **Lors de la mise au rebut de la batterie, retirez-la de l'outil et jetez-la en lieu sûr. Suivez les réglementations locales en matière de mise au rebut des batteries.**
12. **Utilisez les batteries uniquement avec les produits spécifiés par Makita.** L'insertion de batteries dans des produits non conformes peut provoquer un incendie, une chaleur excessive, une explosion ou une fuite de l'électrolyte.
13. **Lorsque vous n'utilisez pas l'outil pendant une période prolongée, la batterie doit être retirée de l'outil.**
14. **Pendant et après l'utilisation, la batterie peut chauffer, ce qui peut entraîner des brûlures, y compris en cas de température relativement basse. Manipulez les batteries chaudes avec précaution.**
15. **Ne touchez pas la borne de l'outil immédiatement après utilisation car elle peut être assez chaude pour provoquer des brûlures.**
16. **Évitez que des copeaux, de la poussière ou du sol adhèrent aux bornes, aux trous et aux rainures de la batterie.** Cela peut provoquer un échauffement, un incendie, une explosion ou un dysfonctionnement de l'outil ou de la batterie, ce qui peut entraîner des brûlures ou des blessures.
17. **À moins que l'outil prenne en charge un tel usage, n'utilisez pas la batterie à proximité de lignes électriques haute tension.** Cela pourrait entraîner un dysfonctionnement ou casser l'outil ou la batterie.
18. **Conservez la batterie hors de portée des enfants.**

CONSERVEZ CES INSTRUCTIONS.

ATTENTION : N'utilisez que des batteries Makita d'origine. L'utilisation de batteries de marque autre que Makita ou de batteries modifiées peut provoquer l'explosion des batteries, ce qui présente un risque d'incendie, de dommages matériels et corporels. Cela annulera également la garantie Makita pour l'outil et le chargeur Makita.

REMARQUE : Makita n'est pas responsable des accidents résultant de l'utilisation de batteries autres que Makita ou de batteries modifiées. Les batteries Makita ont été rigoureusement évaluées pour s'assurer de leur compatibilité avec les outils et chargeurs Makita, conformément à la législation et aux normes de sécurité applicables.

Conseils pour assurer la durée de vie optimale de la batterie

1. **Chargez la batterie avant qu'elle ne soit complètement déchargée. Arrêtez toujours l'outil et rechargez la batterie quand vous remarquez**

que la puissance de l'outil diminue.

2. **Ne rechargez jamais une batterie complètement chargée. La surcharge réduit la durée de service de la batterie.**
3. **Chargez la batterie à une température ambiante comprise entre 10 °C et 40 °C. Avant de charger une batterie chaude, laissez-la refroidir.**
4. **Lorsque vous n'utilisez pas la batterie, retirez-la de l'outil ou du chargeur.**
5. **Rechargez la batterie si elle est restée inutilisée pendant une période prolongée (plus de six mois).**

DESCRIPTION DU FONCTIONNEMENT

ATTENTION : Assurez-vous toujours que l'outil est hors tension et que sa batterie est retirée avant de l'ajuster ou de vérifier son fonctionnement.

Insertion ou retrait de la batterie

ATTENTION : Éteignez toujours l'outil avant de mettre en place ou de retirer la batterie.

ATTENTION : Tenez fermement l'outil et la batterie lors de la mise en place ou du retrait de la batterie. Si vous ne tenez pas fermement l'outil et la batterie, ils peuvent vous glisser des mains, et s'abîmer ou vous blesser.

Pour mettre la batterie en place, alignez la languette de la batterie avec la rainure du compartiment puis insérez la batterie. Insérez-la entièrement jusqu'à entendre un léger déclic indiquant qu'elle est bien en place. Si vous pouvez voir l'indicateur rouge comme illustré sur la figure, c'est qu'elle n'est pas bien verrouillée.

Pour retirer la batterie, faites-la glisser hors de l'outil tout en faisant glisser le bouton à l'avant de la batterie.

► Fig.1: 1. Indicateur rouge 2. Bouton 3. Batterie

ATTENTION : Insérez toujours complètement la batterie jusqu'à ce que l'indicateur rouge ne soit plus visible. Sinon, elle pourrait tomber accidentellement de l'outil, au risque de vous blesser ou de blesser quelqu'un se trouvant près de vous.

ATTENTION : N'insérez pas la batterie de force. Si elle ne glisse pas facilement, c'est que vous ne l'insérez pas correctement.

Indication de la charge restante de la batterie

Uniquement pour les batteries avec voyant lumineux

Appuyez sur le bouton de vérification sur la batterie pour indiquer la charge restante de la batterie. Les témoins s'allument pendant quelques secondes.

► Fig.2: 1. Témoins 2. Bouton de vérification

Témoins			Charge restante
Allumé	Éteint	Clignotant	
■	□	▣	75 % à 100 %
■	■	■	50 % à 75 %
■	■	□	25 % à 50 %
■	□	□	0 % à 25 %
▣	□	□	Chargez la batterie.
■	■	□	Anomalie possible de la batterie.
□	□	■	

NOTE : Selon les conditions d'utilisation et la température ambiante, l'indication peut être légèrement différente de la capacité réelle.

NOTE : Le premier témoin (complètement à gauche) clignotera pendant le fonctionnement du système de protection de la batterie.

Système de protection de l'outil/la batterie

L'outil est équipé d'un système de protection de l'outil/la batterie. Ce système coupe automatiquement l'alimentation vers le moteur pour prolonger la durée de vie de l'outil et de la batterie. Si l'outil ou la batterie se trouve dans l'une des situations suivantes, l'outil cessera automatiquement de fonctionner. Dans certaines situations, les témoins s'allument.

► Fig.3: 1. Lampe 2. Témoin d'alimentation/de mode

NOTE : La conception de l'interrupteur dépend de votre région de résidence.

Indication du statut de protection

Lampe		Témoin d'alimentation/de mode		État
Allumé	Clignotant	Allumé	Clignotant	
■	▣	■	▣	Surcharge
■	▣	■	▣	
■	▣	■	▣	Surchauffe

Protection contre la surcharge

Lorsque l'outil ou la batterie est utilisé(e) d'une manière provoquant un appel de courant anormalement élevé, l'outil s'arrête automatiquement. Dans ce cas, éteignez l'outil et arrêtez la tâche ayant provoqué la surcharge de l'outil. Puis rallumez l'outil pour reprendre la tâche.

Protection contre la surchauffe

En cas de surchauffe de l'outil ou de la batterie, l'outil s'arrête automatiquement. Dans ce cas, laissez l'outil refroidir avant de le rallumer.

Protection contre la décharge totale de la batterie

Lorsque la charge restante de la batterie devient faible, l'outil s'arrête automatiquement. Si le produit ne fonctionne pas même en actionnant les interrupteurs, retirez la ou les batteries de l'outil et chargez-les.

Protections contre d'autres causes

Le système de protection est également conçu pour d'autres causes qui pourraient endommager l'outil et lui permet de s'arrêter automatiquement. Suivez toutes les étapes ci-dessous pour éliminer les causes, lorsque l'outil a été arrêté provisoirement ou a cessé de fonctionner.

1. Assurez-vous que tous les interrupteurs sont sur la position d'arrêt, puis remettez l'outil sous tension pour le redémarrer.
2. Chargez la ou les batteries ou remplacez-les par des batteries rechargées.
3. Laissez l'outil et la ou les batteries refroidir.

En l'absence d'amélioration après avoir rétabli le système de protection, contactez votre centre de service Makita local.

Fonctionnement de l'interrupteur d'alimentation

ATTENTION : Avant d'insérer la batterie dans l'outil, vérifiez toujours que la gâchette fonctionne bien et revient en position d'arrêt lorsque vous la relâchez.

Pour mettre l'outil sous tension, maintenez enfoncé le bouton d'alimentation principale jusqu'à ce que le témoin d'alimentation s'allume.
Pour mettre l'outil hors tension, maintenez enfoncé le bouton d'alimentation principale jusqu'à ce que le témoin d'alimentation s'éteigne.

NOTE : La conception de l'interrupteur dépend de votre région de résidence.

► Fig.4: 1. Bouton d'alimentation principale 2. Témoin d'alimentation

NOTE : L'outil ne peut pas être allumé pendant que la gâchette ou l'élément de contact est actionné. Veillez à relâcher la gâchette et l'élément de contact avant d'allumer l'outil.

NOTE : Vous ne pouvez pas éteindre l'outil pendant que vous enfoncez des éléments de fixation.

NOTE : L'interrupteur d'alimentation principale s'éteindra automatiquement si l'outil n'est pas utilisé pendant une période prolongée.




Sélection du mode de commande


Selon le pays

NOTE : Seul un mode de vissage unique est disponible dans certains pays ou régions. La conception de l'interrupteur dépend de la région où vous résidez.

L'outil utilise un déclenchement à commande sélective. Maintenez brièvement enfoncé le bouton d'interrupteur du mode de commande pour sélectionner le mode de commande souhaité.

► **Fig.5:** 1. Bouton d'interrupteur du mode de commande 2. Mode de commande séquentielle 3. Mode de commande par contact

Commuteur de mode	Mode de commande	Caractéristique
	Commande séquentielle totale	Enfoncez un élément de fixation consécutivement. Convient pour enfoncer un élément de fixation avec soin et précision, et s'avère pratique si vous nécessitez un positionnement précis des éléments de fixation.
 	Commande par contact	Un vissage unique ou continu est disponible. Idéal si vous nécessitez un positionnement très productif des éléments de fixation.

 : Non disponible dans certains pays et régions.

NOTE : Le mode de commande ne peut pas basculer sur un autre mode pendant que la gâchette ou l'élément de contact est actionné.

Réglage de la profondeur de vissage

AVERTISSEMENT : Vérifiez toujours que vos doigts ne se trouvent pas sur la gâchette ou sur l'élément de contact et que la batterie a été retirée avant d'ajuster la profondeur de vissage.

Tournez le dispositif de réglage de la profondeur pour régler la profondeur de vissage. La profondeur de vissage augmente lorsque vous tournez le dispositif de réglage de la profondeur dans le sens A et diminue dans le sens B sur la figure. La plage de réglage de la profondeur de vissage est de 8,0 mm.

► **Fig.6:** 1. Dispositif de réglage de la profondeur

REMARQUE : Ne tournez pas trop le dispositif de réglage de la profondeur sous peine de le coincer.

Réglez la profondeur de vissage au besoin.

► **Fig.7:** 1. Trop profond 2. Affleurant 3. Pas assez profond

Allumage de la lampe

ATTENTION : Évitez de regarder directement le faisceau lumineux ou sa source.

Enclenchez la gâchette ou actionnez l'élément de contact pour allumer la lampe. La lampe reste allumée

tant que la gâchette est enclenchée ou l'élément de contact actionné. La lampe s'éteint plusieurs secondes après avoir relâché la gâchette et l'élément de contact.

► **Fig.8:** 1. Gâchette 2. Élément de contact 3. Lampe

REMARQUE : Retirez la saleté sur la lentille de la lampe avec un chiffon sec. Prenez soin de ne pas érafler la lentille de la lampe sous peine de diminuer son éclairage.

REMARQUE : Si l'outil surchauffe, la lampe clignote. Dans ce cas, relâchez la gâchette et l'élément de contact, puis laissez refroidir l'outil ou la batterie avant de réutiliser l'outil.

NOTE : L'outil peut ne pas se déclencher même si la lampe est allumée en raison de la faible puissance restante de la batterie. Il faut alors charger la batterie.

ASSEMBLAGE

ATTENTION : Assurez-vous toujours que l'outil est hors tension et que sa batterie est retirée avant d'effectuer toute tâche dessus.

Chargement/retrait des éléments de fixation

ATTENTION : Vérifiez toujours que la batterie a été retirée avant de charger des éléments de fixation. Un déclenchement accidentel peut entraîner des dommages corporels ou matériels.

ATTENTION : Ne faites pas glisser brusquement la porte coulissante du cloueur lorsque celui-ci est chargé d'éléments de fixation. La chute accidentelle d'éléments de fixation peut entraîner des blessures, en particulier lorsque vous travaillez en hauteur.

ATTENTION : Chargez les éléments de fixation dans le bon sens. Un chargement dans le mauvais sens risque de provoquer une usure rapide de l'entraînement et d'endommager les autres composants.

REMARQUE : N'utilisez pas d'éléments de fixation et de bandes des éléments de fixation déformés. Utilisez les éléments de fixation spécifiés dans le présent manuel. L'utilisation d'éléments de fixation autres que ceux spécifiés peut provoquer leur blocage et un dysfonctionnement.

1. Retirez la batterie.
2. Appuyez sur le levier et ouvrez la porte coulissante du magasin.
► **Fig.9:** 1. Levier 2. Porte coulissante 3. Magasin

3. Placez une bande d'éléments de fixation de sorte que les pointes des éléments de fixation se retrouvent entre la plaque de magasin et le magasin, et faites glisser la bande d'éléments de fixation vers le guide d'entraînement.

► **Fig.10:** 1. Bande des éléments de fixation

4. Ramenez la porte coulissante à sa position initiale jusqu'à ce que le levier la verrouille en place.

Pour retirer les éléments de fixation, appuyez sur le levier et faites glisser la porte coulissante. Retirez les éléments de fixation du magasin.

Adaptateur de bec

ATTENTION : Assurez-vous toujours que vos doigts ne sont pas placés sur la gâchette ou l'élément de contact, retirez tous les éléments de fixation laissés dans le magasin et retirez la batterie avant de poser ou déposer l'adaptateur de bec.

Lorsque vous enfoncez des éléments de fixation dans des matériaux dont la surface marque facilement, fixez l'adaptateur de bec sur l'élément de contact.

Fixation de l'adaptateur de bec

Placez l'adaptateur de bec sur l'élément de contact. Assurez-vous que l'adaptateur de bec s'insère parfaitement comme illustré.

► Fig.11: 1. Adaptateur de bec 2. Élément de contact

Retrait de l'adaptateur de bec

L'adaptateur de bec peut être déposé manuellement.

NOTE : Si vous ne parvenez pas à déposer l'adaptateur de bec manuellement, insérez le tournevis plat entre l'adaptateur de bec et l'élément de contact, puis déposez l'adaptateur de bec.

► Fig.12: 1. Adaptateur de bec 2. Élément de contact 3. Tournevis plat

NOTE : Vous pouvez ranger l'adaptateur de bec sur le support comme illustré sur la figure pour éviter de l'égarer.

► Fig.13: 1. Adaptateur de bec 2. Support

Crochet

AVERTISSEMENT : Prenez garde de ne pas surcharger le crochet. Une surcharge anormale risquerait autrement d'endommager l'outil et de vous blesser.

ATTENTION : Ne suspendez pas le crochet à votre ceinture. Si vous lâchez l'outil, ce qui se produit si le crochet se déplace accidentellement, cela pourrait provoquer un déclenchement involontaire entraînant des blessures.

► Fig.14

ATTENTION : Lorsque vous installez le crochet, fixez-le toujours en place fermement avec la vis. Sinon, le crochet pourrait se détacher de l'outil et vous blesser.

ATTENTION : Utilisez les pièces de suspension/montage aux fins prévues uniquement. Leur utilisation à d'autres fins pourrait causer un accident ou des blessures.

ATTENTION : Veillez à accrocher solidement l'outil avant de lâcher votre emprise. Un accrochage insuffisant ou déséquilibré représente un risque de chute et de blessure.

Le crochet est pratique pour suspendre provisoirement l'outil. Suspendez l'outil à un porte-outil, un rail ou le mur avec le crochet.

Le crochet s'installe d'un côté comme de l'autre de l'outil.

Pour installer le crochet, insérez-le dans une des rainures situées de chaque côté du carter de l'outil, puis serrez-le avec la vis comme illustré sur la figure. Pour le retirer, desserrez la vis et retirez le crochet.

► Fig.15: 1. Rainure 2. Crochet 3. Vis

UTILISATION

Vérification du système de sécurité

AVERTISSEMENT : Assurez-vous que tous les systèmes de sécurité sont en état de fonctionner avant d'utiliser l'outil. Vous risquez autrement de vous blesser.

► Fig.16: 1. Gâchette 2. Élément de contact 3. Magasin 4. Levier

Vérifiez comme suit l'absence de défaillances ou de dysfonctionnements des systèmes de sécurité avant utilisation.

1. Retirez la batterie de l'outil. Déchargez ensuite tous les éléments de fixation restants dans le magasin.
2. Mettez la batterie en place et allumez l'outil.
3. Enclenchez la gâchette sans appuyer l'élément de contact contre le matériau.
4. Ouvrez le magasin et laissez-le ouvert. Placez ensuite l'élément de contact contre le matériau sans enclencher la gâchette.

Si l'outil fonctionne dans le cas de l'étape 3 ou 4 décrite ci-dessus, le système de sécurité ne fonctionne pas correctement. Cessez immédiatement d'utiliser l'outil et sollicitez votre centre d'entretien local Makita.

Manipulation des éléments de fixation

Clous

Manipulez soigneusement les clous et leur boîte. Si les clous ont été manipulés brutalement, ils peuvent être déformés ou leur lien brisé, ce qui provoquera une

mauvaise alimentation.

REMARQUE : Évitez de ranger les clous dans un endroit très humide, chaud ou exposé aux rayons directs du soleil.

► Fig.17

Vissage des éléments de fixation

⚠ AVERTISSEMENT : Tenez votre visage à l'écart de l'outil pendant son fonctionnement. Vous risqueriez autrement de vous blesser.

⚠ AVERTISSEMENT : N'utilisez pas cet outil pour serrer des câbles électriques. Cet outil n'est pas conçu pour la pose de câbles électriques et peut endommager leur gaine isolante, ce qui comporte un risque d'électrocution et d'incendie.

⚠ AVERTISSEMENT : Maintenez fermement l'élément de contact contre le matériau jusqu'à ce que le clou soit complètement enfoncé. Un déclenchement accidentel peut entraîner des blessures corporelles.

⚠ ATTENTION : Tenez l'outil fermement pendant l'utilisation.

⚠ ATTENTION : N'enfoncez pas les éléments de fixation dans des matériaux durs comme du métal ou similaire. Si l'élément de fixation ne peut pas pénétrer le matériau, l'outil risque d'être repoussé vers vous et de vous blesser.

REMARQUE : L'outil ne commencera pas le serrage après cinq secondes d'inutilisation des interrupteurs alors que la gâchette ou l'élément de contact sont actionnés seuls. Relâchez la gâchette ou libérez l'élément de contact de la pièce, puis remettez l'outil en place pour reprendre le serrage.

NOTE : Si vous enfoncez continuellement des clous pendant longtemps, l'air évacué deviendra chaud en raison de la chaleur du moteur.

L'outil utilise deux actions de vissage : commande séquentielle totale et commande par contact.

NOTE : Seul un mode de vissage unique (commande séquentielle totale) est disponible dans certains pays ou régions. La conception de l'interrupteur dépend de la région où vous résidez.

Commande séquentielle totale

Dans ce mode, vous pouvez enfoncer un élément de fixation consécutivement.

Un contact de la pièce, puis une gâchette doivent être activés dans un ordre spécifique pour actionner l'outil. Relâchez et réactivez les commandes de l'interrupteur dans le même ordre pour continuer à enfoncer les éléments de fixation.

1. Maintenez enfoncé le bouton d'alimentation principale pour mettre l'outil sous tension.
2. Assurez-vous que le témoin du mode de commande séquentielle est allumé.

► Fig.18: 1. Bouton d'alimentation

principale 2. Témoin du mode de commande séquentielle

3. Posez l'élément de contact à plat sur le matériau.

► Fig.19: 1. Élément de contact

4. Enclenchez complètement la gâchette pour enfoncer un élément de fixation.

► Fig.20: 1. Gâchette

5. Relâchez votre doigt de la gâchette. Puis soulevez l'élément de contact du matériau.

Pour enfoncer l'élément de fixation suivant, répétez les étapes 3 à 5 dans le même ordre.

Commande par contact

Selon le pays

Dans ce mode, vous pouvez choisir le vissage continu ou unique en suivant n'importe quel ordre des opérations de la gâchette.

Un contact de la pièce et une gâchette peuvent être activés dans n'importe quel ordre pour actionner l'outil. Relâchez et réactivez le contact de la pièce pour enfoncer continuellement les éléments de fixation.

Pour un vissage unique

1. Maintenez enfoncé le bouton d'alimentation principale pour mettre l'outil sous tension.
2. Maintenez brièvement enfoncé le bouton d'interrupteur du mode de commande pour sélectionner le mode de commande par contact.

Le témoin du mode de commande par contact s'allume.

► Fig.21: 1. Bouton d'interrupteur du mode de commande 2. Témoin du mode de commande par contact

3. Posez l'élément de contact à plat sur le matériau.
4. Enclenchez complètement la gâchette pour enfoncer un élément de fixation.
5. Relâchez votre doigt de la gâchette. Puis soulevez l'élément de contact du matériau.

Pour enfoncer l'élément de fixation suivant, répétez les étapes 3 à 5 dans le même ordre.

Pour un vissage continu

1. Maintenez enfoncé le bouton d'alimentation principale pour mettre l'outil sous tension.
2. Maintenez brièvement enfoncé le bouton d'interrupteur du mode de commande pour sélectionner le mode de commande par contact.

Le témoin du mode de commande par contact s'allume.

3. Enclenchez la gâchette.

► Fig.22: 1. Gâchette

4. Posez à plat l'élément de contact sur le matériau pour enfoncer un élément de fixation.

5. Déplacez l'outil vers les endroits suivants avec la gâchette enclenchée et posez à plat l'élément de contact sur le matériau pour enfoncer les éléments de fixation suivants.

► Fig.23: 1. Gâchette 2. Élément de contact

Mécanisme anti-démarrage à vide

Lorsque le nombre d'éléments de fixation restants dans le magasin diminue entre 5 - 7, la gâchette ne peut plus être actionnée et l'outil cesse de fonctionner. Insérez une nouvelle bande d'éléments de fixation dans le magasin avant de redémarrer.

Vérification de la quantité d'éléments de fixation restants

Vous pouvez vérifier la quantité d'éléments de fixation restants grâce à la fenêtre de contrôle.

L'indicateur se déplace vers l'ouverture d'éjection à mesure que le nombre d'éléments de fixation restants diminue.

► **Fig.24:** 1. Fenêtre de contrôle 2. Témoins

Retrait des éléments de fixation coincés

⚠ AVERTISSEMENT : Assurez-vous toujours que la batterie et les éléments de fixation sont retirés avant de retirer les éléments de fixation coincés.

⚠ AVERTISSEMENT : Ne poussez pas avec force sur l'entraînement des éléments de fixation. Ne frappez pas sur l'entraînement des éléments de fixation et les éléments de fixation avec un outil manuel pour dégager les blocages. Sachez que l'outil est chargé en air comprimé et que la pression est maintenue à l'intérieur. Le non-respect des précautions de sécurité du manuel peut entraîner de graves blessures.

⚠ AVERTISSEMENT : Ne dirigez jamais l'outil vers vous-même ou d'autres personnes à proximité lorsque vous dégagez des blocages. Vous risqueriez autrement de provoquer des blessures en déclenchant le clouage par inadvertance, car l'outil est chargé d'air comprimé dans une chambre scellée en usine.

⚠ ATTENTION : Ne retirez pas les éléments de fixation coincés avec les mains nues. Les éléments de fixation pourraient être éjectés du magasin et vous blesser.

⚠ ATTENTION : En cas de blocages fréquents ou de situations de blocages difficiles à dégager, consultez votre centre d'entretien local Makita.

⚠ ATTENTION : Veillez à verrouiller le loquet après avoir retiré les éléments de fixation coincés.

En cas de blocage des éléments de fixation, regardez de près l'alimentation des éléments de fixation et l'unité d'entraînement. Les blocages sont souvent dus à des éléments de fixation coincés entre l'entraînement des éléments de fixation et le guide d'entraînement inférieur.

Pour dégager un blocage, relâchez le loquet et ouvrez le mécanisme d'entraînement. Retirez les éléments de fixation coincés et verrouillez le loquet.

► **Fig.25:** 1. Loquet 2. Guide d'entraînement inférieur

3. Mécanisme d'entraînement

ENTRETIEN

⚠ AVERTISSEMENT : Ne démontez pas cet outil. Cet outil est scellé avec de l'air comprimé et son démontage pourrait causer de graves blessures.



⚠ ATTENTION : Assurez-vous toujours que l'outil est hors tension et que la batterie est retirée avant d'y effectuer tout travail d'inspection ou d'entretien.

REMARQUE : N'utilisez jamais d'essence, benzine, diluant, alcool ou autre produit similaire. Cela risquerait de provoquer la décoloration, la déformation ou la fissuration de l'outil.

Pour assurer la SÉCURITÉ et la FIABILITÉ du produit, toute réparation, tout travail d'entretien ou de réglage doivent être effectués par un centre d'entretien Makita agréé, avec des pièces de rechange Makita.

Initialisation de la position du dispositif de clouage

L'entraînement pourrait ne pas être placé correctement derrière l'élément de fixation à enfoncer après un blocage des éléments de fixation ou si la batterie est faible. Effectuez toujours les étapes d'initialisation avant de redémarrer.

1. Retirez la batterie de l'outil.
2. Retirez tous les éléments de fixation restants du magasin.
3. Observez la position du dispositif de clouage.

Si la pointe du dispositif de clouage sort du guide d'entraînement, l'élément de contact ne peut pas être actionné correctement lors de l'initialisation.

► **Fig.26:** 1. Dispositif de clouage 2. Guide d'entraînement

Tournez le dispositif de réglage de la profondeur pour régler la profondeur la plus faible afin que l'élément de contact fonctionne correctement.

► **Fig.27:** 1. Dispositif de réglage de la profondeur

4. Mettez la batterie en place et allumez l'outil.
5. Ouvrez le magasin et laissez-le ouvert. Placez ensuite l'élément de contact contre le matériau qui peut être endommagé.
6. Enclenchez complètement la gâchette avec l'élément de contact actionné pour réinitialiser la position du dispositif de clouage.

► **Fig.28:** 1. Magasin 2. Élément de contact 3. Gâchette

La position du dispositif de clouage sera correctement initialisée.

7. Retirez la batterie de l'outil. Rechargez les éléments de fixation dans le magasin. Remettez la batterie dans l'outil.

ACCESSOIRES EN OPTION

⚠ ATTENTION : Ces accessoires ou pièces complémentaires sont recommandés pour l'utilisation avec l'outil Makita spécifié dans ce mode d'emploi. L'utilisation de tout autre accessoire ou pièce complémentaire peut comporter un risque de blessure. N'utilisez les accessoires ou pièces complémentaires qu'aux fins auxquelles ils ont été conçus.

Pour obtenir plus de détails sur ces accessoires, contactez votre centre d'entretien local Makita.

- Clous
- Batterie et chargeur Makita d'origine

NOTE : Il se peut que certains éléments de la liste soient compris dans l'emballage de l'outil en tant qu'accessoires standard. Ils peuvent varier d'un pays à l'autre.

TECHNISCHE DATEN

Modell:	DBN501
Nagelgröße	18 Ga x 15 / 20 / 25 / 30 / 32 / 35 / 38 / 40 / 45 / 50 mm
Magazinkapazität	110 Stück
Abmessungen (L x B x H) ^{*1 *2}	246 mm x 96 mm x 301 mm
Nennspannung	Gleichstrom 18 V
Nettogewicht	2,7 - 3,0 kg

*1 ohne Aufhänger

*2 mit BL1820B

HINWEIS: Nägel werden in dieser Betriebsanleitung als „Befestigungselemente“ bezeichnet, sofern nichts anderes angegeben ist.

- Wir behalten uns vor, Änderungen der technischen Daten im Zuge der Entwicklung und des technischen Fortschritts ohne vorherige Ankündigung vorzunehmen.
- Die technischen Daten können von Land zu Land unterschiedlich sein.
- Der Nettogewichtswert beinhaltet die leichteste und schwerste Kombination des Ausatzes (der Aufsätze) und des (der) Akkus, der (die) in der Betriebsanleitung angegeben ist (sind).

Zutreffende Akkus und Ladegeräte






Akku	BL1815N / BL1820B / BL1830B / BL1840B / BL1850B / BL1860B
Ladegerät	DC18RC / DC18RD / DC18RE / DC18SD / DC18SE / DC18SF / DC18SH / DC18WC

- Einige der oben aufgelisteten Akkus und Ladegeräte sind je nach Ihrem Wohngebiet eventuell nicht erhältlich.

⚠️ WARNUNG: Verwenden Sie nur die oben aufgeführten Akkus und Ladegeräte. Bei Verwendung irgendwelcher anderer Akkus und Ladegeräte besteht Verletzungs- und/oder Brandgefahr.

Symbole

Nachfolgend werden Symbole beschrieben, die für das Gerät verwendet werden können. Machen Sie sich unbedingt vor der Benutzung mit ihrer Bedeutung vertraut.

	Betriebsanleitung lesen.
	Tragen Sie einen Augenschutz.
	Einen Gehörschutz tragen.
	Werkzeug nicht auf Gerüsten oder Leitern verwenden.
	Halten Sie Ihre Finger vom Auslöser fern, wenn Sie keine Befestigungselemente eintreiben, um versehentliches Abschießen zu vermeiden.



Nur für EU-Länder
Aufgrund des Vorhandenseins gefährlicher Komponenten in der Ausrüstung können Elektro- und Elektronik-Altgeräte, Akkumulatoren und Batterien sich negativ auf die Umwelt und die menschliche Gesundheit auswirken.
Entsorgen Sie Elektro- und Elektronikgeräte oder Batterien nicht mit dem Hausmüll!
In Übereinstimmung mit der Europäischen Richtlinie über Elektro- und Elektronik-Altgeräte, Akkumulatoren und Batterien, verbrauchte Akkumulatoren und Batterien sowie ihrer Anpassung an nationales Recht sollten Elektro-Altgeräte, Batterien und Akkumulatoren gemäß den Umweltschutzbestimmungen getrennt gelagert und zu einer getrennten Sammelstelle für Siedlungsabfälle geliefert werden.
Dies wird durch das am Gerät angebrachte Symbol der durchgestrichenen Abfalltonne auf Rädern angezeigt.

Vorgesehene Verwendung

Dieses Werkzeug ist für Befestigung an Inneneinrichtung und Möbeln vorgesehen.

Geräusch

Typischer A-bewerteter Geräuschpegel ermittelt gemäß EN60745-2-16:

Schalldruckpegel (L_{pA}): 82 dB (A)

Schallleistungspegel (L_{WA}): 93 dB (A)

Messunsicherheit (K): 3 dB (A)

HINWEIS: Der (Die) angegebene(n) Schallemissionswert(e) wurde(n) im Einklang mit der Standardprüfmethode gemessen und kann (können) für den Vergleich zwischen Werkzeugen herangezogen werden.

HINWEIS: Der (Die) angegebene(n) Schallemissionswert(e) kann (können) auch für eine vorläufige Bewertung der Geräuschbelastung verwendet werden.

⚠️ WARNUNG: Einen Gehörschutz tragen.

⚠️ WARNUNG: Die Schallemission beim tatsächlichen Benutzen des Elektrowerkzeugs kann je nach der Art und Weise, wie dieses Werkzeug benutzt wird, von dem (den) angegebenen Gesamtwert(en) abweichen.

⚠️ WARNUNG: Identifizieren Sie Sicherheitsmaßnahmen zum Schutz des Benutzers anhand einer Schätzung des Gefährdungsgrads unter den tatsächlichen Benutzungsbedingungen (unter Berücksichtigung aller Phasen des Arbeitszyklus, wie z. B. Ausschalt- und Leerlaufzeiten des Werkzeugs zusätzlich zur Betriebszeit).

Schwingungen

Der Schwingungsgesamtwert wurde gemäß EN60745-2-16 ermittelt:

Schwingungsemission (a_h): 2,5 m/s² oder weniger

Messunsicherheit (K): 1,5 m/s²

HINWEIS: Der (Die) angegebene(n) Vibrationsgesamtwert(e) wurde(n) im Einklang mit der Standardprüfmethode gemessen und kann (können) für den Vergleich zwischen Werkzeugen herangezogen werden.

HINWEIS: Der (Die) angegebene(n) Schwingungsgesamtwert(e) kann (können) auch für eine Vorbewertung des Gefährdungsgrads verwendet werden.

⚠️ WARNUNG: Die Schwingungsemission während der tatsächlichen Benutzung des Elektrowerkzeugs kann je nach der Benutzungsweise des Werkzeugs von dem (den) angegebenen Gesamtwert(en) abweichen.

⚠️ WARNUNG: Identifizieren Sie Sicherheitsmaßnahmen zum Schutz des Benutzers anhand einer Schätzung des Gefährdungsgrads unter den tatsächlichen Benutzungsbedingungen (unter Berücksichtigung aller Phasen des Arbeitszyklus, wie z. B. Ausschalt- und Leerlaufzeiten des Werkzeugs zusätzlich zur Betriebszeit).

Konformitätserklärungen

Nur für europäische Länder

Die Konformitätserklärungen sind in Anhang A dieser Betriebsanleitung enthalten.

SICHERHEITSWARNUNGEN

Allgemeine Sicherheitswarnungen für Elektrowerkzeuge

⚠️ WARNUNG Lesen Sie alle Sicherheitshinweise, Anweisungen, Abbildungen und Spezifikationen, die diesem Elektrowerkzeug beiliegen. Eine Missachtung der unten aufgeführten Anweisungen kann zu einem elektrischen Schlag, Brand und/oder schweren Verletzungen führen.

Bewahren Sie alle Warnungen und Anweisungen für spätere Bezugnahme auf.

Der Ausdruck „Elektrowerkzeug“ in den Warnhinweisen bezieht sich auf Ihr mit Netzstrom (mit Kabel) oder Akku (ohne Kabel) betriebenes Elektrowerkzeug.

Sicherheitswarnungen für Akku-Tacker

- Gehen Sie stets von der Annahme aus, dass das Werkzeug Befestigungselemente enthält.** Achtlose Handhabung des Tackers kann zu unerwartetem Abschuss von Befestigungselementen und daraus resultierenden Personenschäden führen.
- Richten Sie das Werkzeug nicht auf sich oder umstehende Personen.** Unerwartete Auslösung bewirkt Abschuss des Befestigungselements und verursacht eine Verletzung.
- Betätigen Sie das Werkzeug nur, wenn es fest auf das Werkstück aufgesetzt ist.** Ist das Werkzeug nicht mit dem Werkstück in Kontakt, kann das Befestigungselement von Ihrem beabsichtigten Ziel abgelenkt werden.
- Trennen Sie das Werkzeug von der Stromquelle, wenn ein Befestigungselement im Werkzeug klemmt.** Ist der Akku eingesetzt, kann der Tacker beim Entfernen eines klemmenden Befestigungselements versehentlich betätigt werden.
- Lassen Sie beim Entfernen eines klemmenden Befestigungselements Vorsicht walten.** Der Mechanismus kann unter Druck stehen, und das Befestigungselement kann abgeschossen werden, während versucht wird, den Klemmzustand aufzuheben.
- Benutzen Sie diesen Tacker nicht zur Befestigung von elektrischen Kabeln.** Er ist nicht für die Installation von elektrischen Kabeln ausgelegt und kann deren Isolierung

beschädigen, was zu einem elektrischen Schlag oder Brand führen kann.

7. **Tragen Sie stets eine Schutzbrille, um Ihre Augen vor Staub und Verletzungen durch Befestigungsmittel zu schützen.**
8. **Halten Sie Hände und Füße vom Bereich der Auswurföffnung fern.**
9. **Nehmen Sie stets den Akku ab, bevor Sie die Befestigungselemente laden, Einstellungen, Überprüfungen, Wartungsarbeiten durchführen, oder nachdem die Arbeit abgeschlossen ist.**
10. **Vergewissern Sie sich vor der Arbeit, dass keine Personen in der Nähe sind. Versuchen Sie niemals, Befestigungselemente gleichzeitig von der Innen- und Außenseite einer Wand einzutreiben.** Befestigungselemente können durchschlagen und/oder herausfliegen, was eine große Gefahr darstellt.
11. **Achten Sie beim Arbeiten mit dem Werkzeug auf sicheren Stand und Gleichgewicht. Vergewissern Sie sich bei Arbeiten an hohen Orten, dass sich niemand unterhalb aufhält.**
12. **Benutzen Sie niemals mit der Aufschrift „Nicht auf Gerüsten, Leitern verwenden“ versehene Tacker für spezifische Anwendungen, wie z. B.:**
 - wenn für einen Arbeitsplatzwechsel Gerüste, Treppen, Leitern oder leiterähnliche Konstruktionen, wie z. B. Dachlatten erforderlich sind;
 - zum Verschließen von Kisten oder Verschlägen;
 - zum Anbringen von Transportsicherheitssystemen z. B. an Fahrzeugen und Wagen.
13. **Überprüfen Sie Wände, Decken, Fußböden, Dach und dergleichen sorgfältig, um durch Kontakt mit Strom führenden Kabeln, Isolierrohren oder Gasrohren verursachte mögliche elektrische Schläge, Gaslecks, Explosionen usw. zu vermeiden.**
14. **Verwenden Sie nur die in dieser Anleitung angegebenen Befestigungselemente.** Die Verwendung anderer Befestigungselemente kann eine Funktionsstörung des Werkzeugs verursachen.
15. **Nehmen Sie keine unerlaubten Änderungen am Werkzeug vor, und versuchen Sie nicht, es für andere Zwecke als Eintreiben von Befestigungselementen zu verwenden.**
16. **Betreiben Sie das Werkzeug nicht ohne Befestigungselemente.** Dadurch wird die Nutzungsdauer des Werkzeugs verkürzt.
17. **Brechen Sie Eintreibarbeiten sofort ab, wenn Sie einen Defekt oder etwas Ungewöhnliches am Werkzeug feststellen.**
18. **Treiben Sie Befestigungselemente niemals in Materialien ein, die das Befestigungselement punktieren und wie ein Geschoss durchbohren kann.**
19. **Betätigen Sie den Auslöseschalter und das Kontaktelement niemals gleichzeitig, bevor Sie bereit sind, Werkstücke zu befestigen. Lassen Sie das Kontaktelement sich vom**

Werkstück niederdrücken. Heben Sie den Zweck des Kontaktelements keinesfalls durch Zurückhalten oder Niederdrücken von Hand auf.

20. **Nehmen Sie keine unerlaubten Eingriffe am Kontaktelement vor. Überprüfen Sie das Kontaktelement häufig auf ordnungsgemäßen Betrieb.**
21. **Entfernen Sie stets die Befestigungselemente vom Werkzeug, wenn es nicht benutzt wird.**
22. **Vermeiden Sie es, Magnete oder ähnliche magnetische Geräte zu nahe am Werkzeug zu platzieren.** Dies kann den Magnetsensor im Werkzeug beeinträchtigen.

DIESE ANWEISUNGEN AUFBEWAHREN.

⚠️ WARNUNG: Lassen Sie sich NICHT durch Bequemlichkeit oder Vertrautheit mit dem Produkt (durch wiederholten Gebrauch erworben) von der strikten Einhaltung der Sicherheitsregeln für das vorliegende Produkt abhalten. **MISSBRAUCH** oder Missachtung der Sicherheitsvorschriften in dieser Anleitung können schwere Verletzungen verursachen.

Wichtige Sicherheitsanweisungen für Akku

1. **Lesen Sie vor der Benutzung des Akkus alle Anweisungen und Warnhinweise, die an (1) Ladegerät, (2) Akku und (3) Akkuwerkzeug angebracht sind.**
2. **Unterlassen Sie Zerlegen oder Manipulieren des Akkus.** Es kann sonst zu einem Brand, übermäßiger Hitzeentwicklung oder einer Explosion kommen.
3. **Falls die Betriebszeit beträchtlich kürzer geworden ist, stellen Sie den Betrieb sofort ein.** Anderenfalls besteht die Gefahr von Überhitzung, möglichen Verbrennungen und sogar einer Explosion.
4. **Falls Elektrolyt in Ihre Augen gelangt, waschen Sie sie mit sauberem Wasser aus, und begeben Sie sich unverzüglich in ärztliche Behandlung.** Anderenfalls können Sie Ihre Sehkraft verlieren.
5. **Der Akku darf nicht kurzgeschlossen werden:**
 - (1) Die Kontakte dürfen nicht mit leitfähigem Material berührt werden.
 - (2) Lagern Sie den Akku nicht in einem Behälter zusammen mit anderen Metallgegenständen, wie z. B. Nägel, Münzen usw.
 - (3) Setzen Sie den Akku weder Wasser noch Regen aus.**Ein Kurzschluss des Akkus verursacht starken Stromfluss, der Überhitzung, mögliche Verbrennungen und einen Defekt zur Folge haben kann.**
6. **Lagern und benutzen Sie das Werkzeug und den Akku nicht an Orten, an denen die Temperatur 50 °C erreichen oder überschreiten kann.**

7. **Versuchen Sie niemals, den Akku zu verbrennen, selbst wenn er stark beschädigt oder vollkommen verbraucht ist. Der Akku kann im Feuer explodieren.**
8. **Unterlassen Sie Nageln, Schneiden, Zerquetschen, Werfen, Fallenlassen des Akkus oder Schlagen des Akkus mit einem harten Gegenstand.** Eine solche Handlung kann zu einem Brand, übermäßiger Hitzeentwicklung oder einer Explosion führen.
9. **Benutzen Sie keine beschädigten Akkus.**
10. **Die enthaltenen Lithium-Ionen-Akkus unterliegen den Anforderungen der Gefahrgut-Gesetzgebung.**
Für kommerzielle Transporte, z. B. durch Dritte oder Spediteure, müssen besondere Anforderungen zu Verpackung und Etikettierung beachtet werden.
Zur Vorbereitung des zu transportierenden Artikels ist eine Beratung durch einen Experten für Gefahrgut erforderlich. Bitte beachten Sie möglicherweise ausführlichere nationale Vorschriften. Überkleben oder verdecken Sie offene Kontakte, und verpacken Sie den Akku so, dass er sich in der Verpackung nicht umher bewegen kann.
11. **Entfernen Sie den Akku zum Entsorgen vom Werkzeug, und entsorgen Sie ihn an einem sicheren Ort. Befolgen Sie die örtlichen Vorschriften bezüglich der Entsorgung von Akkus.**
12. **Verwenden Sie die Akkus nur mit den von Makita angegebenen Produkten.** Das Einsetzen der Akkus in nicht konforme Produkte kann zu einem Brand, übermäßiger Hitzebildung, einer Explosion oder Auslaufen von Elektrolyt führen.
13. **Soll das Werkzeug längere Zeit nicht benutzt werden, muss der Akku vom Werkzeug entfernt werden.**
14. **Bei und nach dem Gebrauch kann der Akku heiß werden, was Verbrennungen oder Niedertemperaturverbrennungen verursachen kann. Beachten Sie die Handhabung von heißen Akkus.**
15. **Berühren Sie nicht den Anschlusskontakt des Werkzeugs unmittelbar nach dem Gebrauch, da er heiß genug werden kann, um Verbrennungen zu verursachen.**
16. **Achten Sie darauf, dass sich keine Späne, Staub oder Schmutz in den Anschlusskontakten, Löchern und Nuten des Akkus absetzen.** Es könnte sonst zu Erhitzung, Brandauslösung, Bersten und Funktionsstörungen des Werkzeugs oder des Akkus kommen, was zu Verbrennungen oder Personenschäden führen kann.
17. **Wenn das Werkzeug den Einsatz in der Nähe einer Hochspannungs-Stromleitung nicht unterstützt, benutzen Sie den Akku nicht in der Nähe einer Hochspannungs-Stromleitung.** Dies kann zu einer Funktionsstörung oder Betriebsstörung des Werkzeugs oder des Akkus führen.
18. **Halten Sie die Batterie von Kindern fern.**

DIESE ANWEISUNGEN

AUFBEWAHREN.

⚠ VORSICHT: Verwenden Sie nur Original-Makita-Akkus. Die Verwendung von Nicht-Original-Makita-Akkus oder von Akkus, die abgeändert worden sind, kann zum Bersten des Akkus und daraus resultierenden Bränden, Personenschäden und Beschädigung führen. Außerdem wird dadurch die Makita-Garantie für das Makita-Werkzeug und -Ladegerät ungültig.

ANMERKUNG: Makita haftet nicht für Unfälle, die durch das Benutzen von nicht originalen oder modifizierten Makita-Akkus entstehen. Original-Makita-Akkus wurden in Übereinstimmung mit den anwendbaren Gesetzen und Sicherheitsstandards streng auf ihre Kompatibilität mit Makita-Werkzeugen und -Ladegeräten geprüft.

Hinweise zur Aufrechterhaltung der maximalen Akku-Nutzungsdauer

1. **Laden Sie den Akku, bevor er vollkommen erschöpft ist. Schalten Sie das Werkzeug stets aus, und laden Sie den Akku, wenn Sie ein Nachlassen der Werkzeugleistung feststellen.**
2. **Unterlassen Sie erneutes Laden eines voll aufgeladenen Akkus. Überladen führt zu einer Verkürzung der Nutzungsdauer des Akkus.**
3. **Laden Sie den Akku bei Raumtemperatur zwischen 10 – 40 °C. Lassen Sie einen heißen Akku abkühlen, bevor Sie ihn laden.**
4. **Wenn Sie den Akku nicht benutzen, nehmen Sie ihn vom Werkzeug oder Ladegerät ab.**
5. **Der Akku muss geladen werden, wenn er lange Zeit (länger als sechs Monate) nicht benutzt wird.**

FUNKTIONSBE-SCHREIBUNG

⚠ VORSICHT: Vergewissern Sie sich vor der Durchführung von Einstellungen oder Funktionsprüfungen des Werkzeugs stets, dass das Werkzeug ausgeschaltet und der Akku abgenommen ist.

Anbringen und Abnehmen des Akkus

⚠ VORSICHT: Schalten Sie das Werkzeug stets aus, bevor Sie den Akku anbringen oder abnehmen.

⚠ VORSICHT: Halten Sie das Werkzeug und den Akku beim Anbringen oder Abnehmen des Akkus sicher fest. Wenn Sie das Werkzeug und den Akku nicht sicher festhalten, können sie Ihnen aus der Hand rutschen, was zu einer Beschädigung des Werkzeugs und des Akkus und zu Körperverletzungen führen kann.

Richten Sie zum Anbringen des Akkus dessen Führungsfeder auf die Nut im Gehäuse aus, und schieben Sie den Akku hinein. Schieben Sie ihn vollständig ein, bis er mit einem leisen Klicken einrastet. Wenn Sie die rote Anzeige sehen können, wie in der Abbildung gezeigt, ist der Akku nicht vollständig verriegelt.

Ziehen Sie den Akku zum Abnehmen vom Werkzeug ab, während Sie den Knopf an der Vorderseite des Akkus verschieben.

► **Abb.1:** 1. Rote Anzeige 2. Knopf 3. Akku

⚠ VORSICHT: Schieben Sie den Akku stets bis zum Anschlag ein, bis die rote Anzeige nicht mehr sichtbar ist. Anderenfalls kann er aus dem Werkzeug herausfallen und Sie oder umstehende Personen verletzen.

⚠ VORSICHT: Unterlassen Sie Gewaltanwendung beim Anbringen des Akkus. Falls der Akku nicht reibungslos hineingleitet, ist er nicht richtig ausgerichtet.

Anzeigen der Akku-Restkapazität

Nur für Akkus mit Anzeige

Drücken Sie die Prüftaste am Akku, um die Akku-Restkapazität anzuzeigen. Die Anzeigelampen leuchten wenige Sekunden lang auf.

► **Abb.2:** 1. Anzeigelampen 2. Prüftaste

Anzeigelampen			Restkapazität
Erleuchtet	Aus	Blinkend	
			75% bis 100%
			50% bis 75%
			25% bis 50%
			0% bis 25%
			Den Akku aufladen.
			Möglicherweise liegt eine Funktionsstörung im Akku vor.

HINWEIS: Abhängig von den Benutzungsbedingungen und der Umgebungstemperatur kann die Anzeige geringfügig von der tatsächlichen Kapazität abweichen.

HINWEIS: Die erste (äußerste linke) Anzeigelampe blinkt, wenn das Akku-Schutzsystem aktiv ist.

Werkzeug/Akku-Schutzsystem

Das Werkzeug ist mit einem Werkzeug/Akku-Schutzsystem ausgestattet. Dieses System schaltet die Stromversorgung des Motors automatisch ab, um die Lebensdauer von Werkzeug und Akku zu verlängern. Das Werkzeug bleibt während des Betriebs automatisch stehen, wenn das Werkzeug oder der Akku einer der folgenden Bedingungen unterliegt. Bei manchen Bedingungen leuchten die Anzeigen auf.

► **Abb.3:** 1. Lampe 2. Leistungs-/Betriebsartanzeige

HINWEIS: Die Ausführung des Schalters hängt von der Region ab, in der Sie wohnen.

Schutzstatusanzeige

Lampe		Leistungs-/Betriebsartanzeige		Status
Ein	Blinken	Ein	Blinken	
				Überlastung

Überlastschutz

Wird das Werkzeug/der Akku auf eine Weise benutzt, die eine ungewöhnlich hohe Stromaufnahme bewirkt, bleibt das Werkzeug automatisch stehen. Schalten Sie in dieser Situation das Werkzeug aus, und brechen Sie die Arbeit ab, die eine Überlastung des Werkzeugs verursacht hat. Schalten Sie dann das Werkzeug wieder ein, um es neu zu starten.

Überhitzungsschutz

Wenn das Werkzeug/der Akku überhitzt wird, bleibt das Werkzeug automatisch stehen. Lassen Sie das Werkzeug in dieser Situation abkühlen, bevor Sie es wieder einschalten.

Überentladungsschutz

Wenn die Akkukapazität niedrig wird, bleibt das Werkzeug automatisch stehen. Falls das Produkt trotz Betätigung der Schalter nicht funktioniert, entfernen Sie den Akku bzw. die Akkus vom Werkzeug, und laden Sie ihn bzw. sie auf.

Schutz gegen andere Ursachen

Das Schutzsystem ist auch für andere Ursachen ausgelegt, die eine Beschädigung des Werkzeugs bewirken könnten, und ermöglicht automatisches Anhalten des Werkzeugs. Führen Sie alle folgenden Schritte aus, um die Ursachen zu beseitigen, wenn das Werkzeug zu einem vorübergehenden Stillstand oder Betriebsstopp

gekommen ist.

1. Vergewissern Sie sich, dass alle Schalter ausgeschaltet sind, und schalten Sie das Werkzeug für einen Wiederanlauf erneut ein.
2. Laden Sie den/die Akku(s) auf, oder tauschen Sie ihn/sie gegen einen aufgeladenen Akku/aufgeladene Akkus aus.
3. Lassen Sie das Werkzeug und den/die Akku(s) abkühlen.

Falls die Wiederherstellung des Schutzsystems keine Besserung bringt, wenden Sie sich an Ihre lokale Makita-Kundendienststelle.

Funktion der Hauptbetriebstaste

⚠ VORSICHT: Vergewissern Sie sich vor dem Einsetzen des Akkus in das Werkzeug stets, dass der Ein-Aus-Schalter ordnungsgemäß funktioniert und beim Loslassen in die AUS-Stellung zurückkehrt.

Um das Werkzeug einzuschalten, halten Sie die Hauptbetriebstaste gedrückt, bis die Leistungsanzeige aufleuchtet.

Um das Werkzeug auszuschalten, halten Sie die Hauptbetriebstaste gedrückt, bis die Leistungsanzeige erlischt.

HINWEIS: Die Ausführung des Schalters hängt von der Region ab, in der Sie wohnen.

► **Abb.4:** 1. Hauptbetriebstaste 2. Leistungsanzeige

HINWEIS: Das Werkzeug kann nicht eingeschaltet werden, wenn entweder der Auslöseschalter oder das Kontaktelement betätigt wird. Lassen Sie unbedingt den Auslöseschalter und das Kontaktelement los, bevor Sie das Werkzeug einschalten.

HINWEIS: Das Werkzeug kann während des Eintreibens von Befestigungselementen nicht ausgeschaltet werden.

HINWEIS: Der Hauptbetriebsschalter schaltet sich automatisch ab, falls das Werkzeug über einen längeren Zeitraum unbeaufsichtigt bleibt.



Wahl des Auslösungsmodus

Länderspezifisch

HINWEIS: In einigen Regionen oder Ländern ist nur ein einzelner Antriebsmodus verfügbar. Die Ausführung des Schalters hängt von der Region ab, in der Sie wohnen.

Dieses Werkzeug verwendet eine selektive Auslösung. Drücken und halten Sie die Auslösungsmodus-Umschalttaste kurz gedrückt, um den gewünschten Auslösungsmodus auszuwählen.

- **Abb.5:** 1. Auslösungsmodus-Umschalttaste
2. Sequenzieller Auslösungsmodus
3. Kontaktauslösungsmodus

Betriebsart-schalter	Auslösungsmodus	Merkmal
	Vollsequenzielle Auslösung	Eintreiben eines Befestigungselements in einem sequenziellen Vorgang. Geeignet zum sorgfältigen und genauen Eintreiben eines Befestigungselements und hilfreich, wenn eine präzise Platzierung des Befestigungselements erforderlich ist.
	Kontaktauslösung	Es ist entweder einzelnes Eintreiben oder kontinuierliches Eintreiben möglich. Bevorzugt, wenn hochproduktive Platzierung von Befestigungselementen erforderlich ist.

 : In einigen Regionen und Ländern nicht verfügbar.

HINWEIS: Der Auslösungsmodus kann nicht umgeschaltet werden, solange entweder der Auslöseschalter oder das Kontaktelement betätigt wird.

Einstellen der Eintreibtiefe

⚠ WARNUNG: Vergewissern Sie sich immer, dass Ihre Finger nicht auf dem Auslöseschalter oder dem Kontaktelement ruhen, und dass der Akku abgenommen ist, bevor Sie die Eintreibtiefe einstellen.

Drehen Sie den Tiefeneinsteller, um die Eintreibtiefe einzustellen. Die Eintreibtiefe wird tiefer, wenn Sie den Tiefeneinsteller in Richtung A drehen, flacher in Richtung B (siehe Abbildung). Der Einstellbereich für die Eintreibtiefe beträgt 8,0 mm.

► **Abb.6:** 1. Tiefeneinsteller

ANMERKUNG: Drehen Sie den Tiefeneinsteller nicht zu weit, da er sonst stecken bleiben kann.

Stellen Sie die Eintreibtiefe nach Bedarf ein.

► **Abb.7:** 1. Zu tief 2. Bündig 3. Zu flach

Einschalten der Lampe

⚠ VORSICHT: Blicken Sie nicht direkt in die Lampe oder die Lichtquelle.

Betätigen Sie den Auslöseschalter oder das Kontaktelement, um die Lampe einzuschalten. Die Lampe bleibt erleuchtet, solange der Auslöseschalter gedrückt oder das Kontaktelement betätigt wird. Die Lampe erlischt einige Sekunden nach dem Loslassen des Auslöseschalters und des Kontaktelements.

► **Abb.8:** 1. Auslöser 2. Kontaktelement 3. Lampe

ANMERKUNG: Wischen Sie Schmutz auf der Lampenlinse mit einem trockenen Tuch ab. Achten Sie sorgfältig darauf, dass Sie die Lampenlinse nicht verkratzen, weil sich sonst die Lichtstärke verringert.

ANMERKUNG: Bei Überhitzung des Werkzeugs blinkt die Lampe. Lassen Sie in diesem Fall den Auslöseschalter und das Kontaktelement los, und lassen Sie dann das Werkzeug/den Akku abkühlen, bevor Sie die Arbeit fortsetzen.

HINWEIS: Das Werkzeug schießt möglicherweise nicht mehr, nachdem der Akku schwach geworden ist, selbst wenn die Lampe noch leuchtet. Laden Sie in diesem Fall den Akku auf.

MONTAGE

⚠ VORSICHT: Vergewissern Sie sich vor der Ausführung von Arbeiten am Werkzeug stets, dass das Werkzeug ausgeschaltet und der Akku abgenommen ist.

Laden/Entladen der Befestigungselemente

⚠ VORSICHT: Vergewissern Sie sich stets, dass der Akku abgenommen ist, bevor Sie die Befestigungselemente laden. Unbeabsichtigtes Abschießen kann Personenschäden und Sachschäden verursachen.

⚠ VORSICHT: Schieben Sie die Schiebetür des mit Befestigungselementen beladenen Naglers nicht ruckartig. Versehentliches Herunterfallen von Befestigungselementen, besonders beim Arbeiten an hohen Orten, kann Personenschäden verursachen.

⚠ VORSICHT: Laden Sie die Befestigungselemente in der korrekten Richtung. Laden in der falschen Richtung kann vorzeitige Abnutzung des Treibers und Beschädigung der übrigen Teile verursachen.

ANMERKUNG: Verwenden Sie keine verformten Befestigungselemente und Nagelstreifen. Verwenden Sie die in dieser Anleitung angegebenen Befestigungselemente. Die Verwendung anderer als der angegebenen Befestigungselemente kann ein Verklemmen der Befestigungselemente und Fehlfunktionen verursachen.

1. Nehmen Sie den Akku ab.
2. Drücken Sie den Hebel, und öffnen Sie die Schiebetür des Magazins.
▶ **Abb.9:** 1. Hebel 2. Schiebetür 3. Magazin
3. Legen Sie einen Befestigungselementstreifen so ein, dass sich die Spitzen der Befestigungselemente zwischen der Magazinplatte und dem Magazin befinden, und schieben Sie den Befestigungselementstreifen in Richtung der Treiberführung.
▶ **Abb.10:** 1. Nagelstreifen 2. Magazinplatte 3. Magazin 4. Treiberführung
4. Stellen Sie die Schiebetür wieder auf die Ausgangsposition zurück, bis sie vom Hebel verriegelt wird.

Um die Befestigungselemente zu entfernen, drücken

Sie den Hebel, und verschieben Sie die Schiebetür. Nehmen Sie die Befestigungselemente aus dem Magazin heraus.

Mundstückadapter

⚠ VORSICHT: Vergewissern Sie sich stets, dass Ihre Finger nicht auf dem Auslöseschalter oder dem Kontaktelement liegen, entfernen Sie alle Befestigungselemente, die sich noch im Magazin befinden, und nehmen Sie den Akku ab, bevor Sie den Mundstückadapter anbringen oder abnehmen.

Wenn Sie Befestigungselemente auf Materialien mit kratzempfindlichen Oberflächen eintreiben, bringen Sie den Mundstückadapter auf dem Kontaktelement an.

Anbringen des Mundstückadapters

Setzen Sie den Mundstückadapter auf das Kontaktelement. Vergewissern Sie sich, dass der Mundstückadapter wie abgebildet perfekt passt.
▶ **Abb.11:** 1. Mundstückadapter 2. Kontaktelement

Abnehmen des Mundstückadapters

Der Mundstückadapter kann von Hand entfernt werden.

HINWEIS: Wenn Sie den Mundstückadapter nicht von Hand entfernen können, führen Sie einen Schlitzschraubendreher zwischen Mundstückadapter und Kontaktelement ein und entfernen Sie den Mundstückadapter.

▶ **Abb.12:** 1. Mundstückadapter 2. Kontaktelement 3. Schlitzschraubendreher

HINWEIS: Sie können den Mundstückadapter wie in der Abbildung gezeigt am Halter aufbewahren, damit er nicht verloren geht.

▶ **Abb.13:** 1. Mundstückadapter 2. Halter

Aufhänger

⚠ WARNUNG: Achten Sie darauf, den Aufhänger nicht zu stark zu belasten. Anderenfalls kann irreguläre Überlastung Schäden am Werkzeug verursachen, die zu Personenschäden führen können.

⚠ VORSICHT: Hängen Sie den Aufhänger nicht in den Hüftgurt ein. Herunterfallen des Werkzeugs, das durch versehentliches Abrutschen des Aufhängers verursacht wird, kann unbeabsichtigtes Abschießen und daraus resultierende Personenschäden verursachen.

▶ **Abb.14**

⚠ VORSICHT: Wenn Sie den Aufhänger anbringen, sichern Sie ihn immer einwandfrei mit der Schraube. Anderenfalls kann sich der Aufhänger vom Werkzeug lösen und Personenschaden verursachen.

⚠ VORSICHT: Verwenden Sie die Aufhänge-/Montageteile nur für den vorgesehenen Zweck. Bei Verwendung für einen nicht vorgesehenen Zweck kann Unfälle oder Personenschäden verursachen.

⚠ VORSICHT: Vergewissern Sie sich, dass Sie das Werkzeug sicher aufhängen, bevor Sie den Griff lösen. Unzureichendes oder unausgewogenes Einhängen kann ein Herunterfallen verursachen und Sie können sich verletzen.

Der Aufhänger ist praktisch, um das Werkzeug vorübergehend aufzuhängen. Hängen Sie das Werkzeug mit dem Aufhänger an ein Werkzeugregal, eine Schiene oder an die Wand.

Der Aufhänger kann auf beiden Seiten des Werkzeugs installiert werden.

Um den Aufhänger zu installieren, führen Sie ihn auf einer Seite in eine Nut des Werkzeuggehäuses ein, und sichern Sie ihn dann mit der Schraube, wie in der Abbildung gezeigt. Um ihn zu entfernen, lösen Sie die Schraube und entfernen Sie dann den Aufhänger.

► **Abb.15:** 1. Führungsnut 2. Aufhänger 3. Schraube

BETRIEB

Testen des Sicherheitssystems

⚠ WARNUNG: Vergewissern Sie sich vor der Benutzung, dass alle Sicherheitssysteme in gutem Betriebszustand sind. Anderenfalls kann es zu Verletzungen kommen.

► **Abb.16:** 1. Auslöser 2. Kontaktelement 3. Magazin 4. Hebel

Überprüfen Sie das Sicherheitssystem wie folgt auf mögliche Fehler oder Fehlfunktionen, bevor Sie es in Betrieb nehmen.

1. Nehmen Sie den Akku vom Werkzeug ab. Entladen Sie dann alle Befestigungselemente, die sich noch im Magazin befinden.
2. Installieren Sie den Akku an seinem Platz und schalten Sie das Werkzeug ein.
3. Betätigen Sie nur den Auslöseschalter, ohne das Kontaktelement gegen das Material zu halten.
4. Öffnen Sie das Magazin und lassen Sie es geöffnet. Halten Sie dann das Kontaktelement gegen das Material, ohne den Auslöseschalter zu betätigen.

Falls das Werkzeug in den oben beschriebenen Fällen 3 oder 4 funktioniert, funktioniert das Sicherheitssystem nicht ordnungsgemäß. Brechen Sie die Benutzung des Werkzeugs sofort ab, und wenden Sie sich an Ihre örtliche Makita-Kundendienststelle.

Handhabung der Befestigungselemente

Nägel

Behandeln Sie Nägel und ihre Schachteln sorgfältig. Bei grober Behandlung der Nägel können sie sich verformen, oder ihre Verbinder können brechen, was schlechten Nageltransport verursacht.

ANMERKUNG: Vermeiden Sie die Lagerung von Nägeln an sehr feuchten oder heißen Orten oder an Orten, die direktem Sonnenlicht ausgesetzt sind.

► **Abb.17**

Eintreiben von Befestigungselementen

⚠ WARNUNG: Halten Sie Ihr Gesicht während des Betriebs des Werkzeugs vom Werkzeug fern. Anderenfalls kann es zu Verletzungen kommen.

⚠ WARNUNG: Verwenden Sie dieses Werkzeug nicht zur Befestigung von elektrischen Kabeln. Dieses Werkzeug ist nicht für die Installation von Elektrokabeln ausgelegt und kann die Isolierung von Elektrokabeln beschädigen und dadurch einen elektrischen Schlag oder Brand verursachen.

⚠ WARNUNG: Halten Sie das Kontaktelement fest gegen das Material gedrückt, bis der Nagel vollständig eingetrieben ist. Unbeabsichtigtes Abschießen kann Personenschäden verursachen.

⚠ VORSICHT: Halten Sie das Werkzeug während der Arbeit mit festem Griff.

⚠ VORSICHT: Treiben Sie Befestigungselemente nicht in harte Materialien wie Metall oder dergleichen ein. Falls das Befestigungselement das Material nicht durchdringen kann, kann das Werkzeug in Ihre Richtung zurückgeschleudert werden und Verletzungen verursachen.

ANMERKUNG: Das Werkzeug startet die Befestigung nicht nach Ablauf von fünf Sekunden ohne Schalterbetätigung, während entweder der Auslöseschalter oder das Kontaktelement allein betätigt wird. Lassen Sie den Auslöseschalter los, oder ziehen Sie das Kontaktelement vom Werkstück weg, und bringen Sie dann das Werkzeug wieder in Position, um die Befestigung erneut zu starten.

HINWEIS: Wenn Sie Nägel über längere Zeit fortlaufend eintreiben, wird die Abluft durch die vom Motor erzeugte Wärme heiß.

Das Werkzeug verfügt über zwei Eintreibfunktionen: Vollsequenzielle Auslösung und Kontaktauslösung.

HINWEIS: In einigen Regionen oder Ländern ist nur ein einziger Eintreibmodus (Vollsequenzielle Auslösung) verfügbar. Die Ausführung des Schalters hängt von der Region ab, in der Sie wohnen.

Vollsequenzielle Auslösung

In diesem Modus können Sie ein Befestigungselement durch einen sequenziellen Vorgang eintreiben.

Ein Werkstückkontakt und ein Auslöser müssen in einer bestimmten Reihenfolge aktiviert werden, um das Werkzeug auszulösen. Um Befestigungselemente kontinuierlich einzutreiben, führen Sie Loslassen und erneutes Aktivieren der Schalter in der gleichen Reihenfolge durch.

1. Halten Sie die Hauptbetriebstaste gedrückt, um das Werkzeug einzuschalten.

2. Vergewissern Sie sich, dass die Lampe für den sequenziellen Auslösungsmodus aufleuchtet.

► **Abb.18:** 1. Hauptbetriebstaste 2. Lampe für sequenziellen Auslösungsmodus

3. Platzieren Sie das Kontaktelement flach auf dem Material.

► **Abb.19:** 1. Kontaktelement

4. Betätigen Sie den Auslöseschalter vollständig, um ein Befestigungselement einzutreiben.

► **Abb.20:** 1. Auslöser

5. Lassen Sie Ihren Finger vom Auslöseschalter los. Heben Sie dann das Kontaktelement vom Material ab.

Um das nächste Befestigungselement einzutreiben, wiederholen Sie die Schritte 3 bis 5 in der gleichen Reihenfolge.

Kontaktauslösung

Länderspezifisch

In diesem Modus können Sie zwischen kontinuierlichem oder individuellem Eintreiben wählen, indem Sie beliebige Sequenzen des Auslöserbetriebs befolgen.

Ein Werkstückkontakt und ein Auslöser können in beliebigen Sequenzen aktiviert werden, um das Werkzeug auszulösen. Um Befestigungselemente kontinuierlich einzutreiben, führen Sie Loslassen und erneutes Aktivieren des Werkstückkontakts durch.

Für einzelnes Eintreiben

1. Halten Sie die Hauptbetriebstaste gedrückt, um das Werkzeug einzuschalten.

2. Drücken Sie die Auslösungsmodus-Umschalttaste und halten Sie sie kurz gedrückt, um den Kontaktauslösungsmodus auszuwählen.

Die Lampe für Kontaktauslösungsmodus leuchtet auf.

► **Abb.21:** 1. Auslösungsmodus-Umschalttaste
2. Lampe für Kontaktauslösungsmodus

3. Platzieren Sie das Kontaktelement flach auf dem Material.

4. Betätigen Sie den Auslöseschalter vollständig, um ein Befestigungselement einzutreiben.

5. Lassen Sie Ihren Finger vom Auslöseschalter los. Heben Sie dann das Kontaktelement vom Material ab.

Um das nächste Befestigungselement einzutreiben, wiederholen Sie die Schritte 3 bis 5 in der gleichen Reihenfolge.

Für kontinuierliches Eintreiben

1. Halten Sie die Hauptbetriebstaste gedrückt, um das Werkzeug einzuschalten.

2. Drücken Sie die Auslösungsmodus-Umschalttaste und halten Sie sie kurz gedrückt, um den Kontaktauslösungsmodus auszuwählen.

Die Lampe für Kontaktauslösungsmodus leuchtet auf.

3. Betätigen Sie den Auslöser.

► **Abb.22:** 1. Auslöser

4. Setzen Sie das Kontaktelement zum Eintreiben eines Befestigungselements flach auf das Material.

5. Bewegen Sie das Werkzeug mit betätigtem Auslöseschalter zu den nächsten Bereichen und platzieren Sie das Kontaktelement flach auf dem Material, um die folgenden Befestigungselemente einzutreiben.

► **Abb.23:** 1. Auslöser 2. Kontaktelement

Leerschuss-Sicherungsmechanismus

Wenn die verbleibenden Befestigungselemente im Magazin auf 5 - 7 Stück abnehmen, kann der Schalter nicht mehr betätigt werden und das Werkzeug hört auf zu schießen. Legen Sie einen neuen Streifen von Befestigungselementen in das Magazin ein, bevor Sie den Betrieb wieder aufnehmen.

Überprüfen des Befestigungselementvorrats

Sie können den Befestigungselementvorrat durch das Sichtfenster überprüfen.

Je weiter sich der Anzeiger auf die Abschussöffnung zu bewegt, desto kleiner wird der Befestigungselementvorrat.

► **Abb.24:** 1. Sichtfenster 2. Anzeiger

Entfernen von verklemmten Befestigungselementen

⚠️ WARNUNG: Vergewissern Sie sich immer, dass der Akku und die Befestigungselemente entfernt sind, bevor Sie verklemmte Befestigungselemente entfernen.

⚠️ WARNUNG: Drücken Sie nicht gewaltsam auf den Befestigungselementetreiber. Schlagen Sie nicht mit einem Handwerkzeug auf den Befestigungselementetreiber und die Befestigungselemente, um Verklemmungen zu beseitigen. Beachten Sie, dass das Werkzeug mit Druckluft geladen ist und der Druck im Inneren aufrechterhalten wird. Die Nichtbeachtung der Sicherheitsvorkehrungen in diesem Handbuch kann zu schweren Verletzungen führen.

⚠️ WARNUNG: Richten Sie das Werkzeug beim Beseitigen von Staus niemals auf sich selbst oder andere Personen in der Nähe. Anderenfalls kann eine Verletzungsgefahr durch Fehlzündungen verursacht werden, da dieses Werkzeug in einer werkseitig abgedichteten Kammer mit Druckluft beaufschlagt wird.

⚠ VORSICHT: Entfernen Sie die eingeklemmten Befestigungselemente nicht mit bloßen Händen. Das Befestigungselement kann aus dem Magazin herauspringen und eine Verletzung verursachen.

⚠ VORSICHT: Um häufige oder schwer zu behebbende Verklemmungen zu beheben, wenden Sie sich an Ihre örtliche Makita-Kundendienststelle.

⚠ VORSICHT: Verriegeln Sie die Klinke unbedingt, nachdem Sie verklemmte Befestigungselemente entfernt haben.

Wenn sich ein Befestigungselement verklemmt, sollten Sie die Zuführ- und Eintreibinheit für das Befestigungselement genau überprüfen.

Verklemmungen werden in der Regel durch Befestigungselemente verursacht, die zwischen dem Befestigungselementtreiber und der unteren Treiberführung eingeklemmt sind.

Um einen Stau zu beseitigen, lösen Sie die Klinke und öffnen Sie die Treiberführung. Entfernen Sie die eingeklemmten Befestigungselemente und verriegeln Sie die Klinke.

► **Abb.25:** 1. Klinke 2. Untere Treiberführung
3. Treiberführung

WARTUNG

⚠ WARNUNG: Unterlassen Sie Zerlegen dieses Werkzeugs. Dieses Werkzeug ist mit Druckluft versiegelt und eine Zerlegung kann zu schweren Verletzungen führen.



⚠ VORSICHT: Vergewissern Sie sich vor der Durchführung von Inspektions- oder Wartungsarbeiten stets, dass das Werkzeug ausgeschaltet und der Akku abgenommen ist.

ANMERKUNG: Verwenden Sie auf keinen Fall Benzin, Waschbenzin, Verdünner, Alkohol oder dergleichen. Solche Mittel können Verfärbung, Verformung oder Rissbildung verursachen.

Um die SICHERHEIT und ZUVERLÄSSIGKEIT dieses Produkts zu gewährleisten, sollten Reparaturen und andere Wartungs- oder Einstellarbeiten nur von Makita-Vertragswerkstätten oder Makita-Kundendienstzentren unter ausschließlicher Verwendung von Makita-Originalersatzteilen ausgeführt werden.

Initialisieren der Treiberposition

Nach einer Verklemmung des Befestigungselements oder bei schwachem Akku ist der Treiber möglicherweise nicht korrekt hinter dem als nächstes einzutreibenden Befestigungselement positioniert. Führen Sie vor einem erneuten Starten des Betriebs immer die

Initialisierungsschritte durch.

1. Nehmen Sie den Akku vom Werkzeug ab.
2. Nehmen Sie alle Befestigungselemente, die sich noch im Magazin befinden, heraus.
3. Beachten Sie die Treiberposition.

Falls Sie sehen, dass die Spitze des Treibers aus der Treiberführung herausragt, kann das Kontaktelement bei der Initialisierung nicht korrekt betätigt werden.

► **Abb.26:** 1. Treiber 2. Treiberführung

Drehen Sie den Tiefeneinsteller auf die flachste Einstellung, damit das Kontaktelement ordnungsgemäß funktioniert.

► **Abb.27:** 1. Tiefeneinsteller

4. Installieren Sie den Akku an seinem Platz und schalten Sie das Werkzeug ein.
5. Öffnen Sie das Magazin und lassen Sie es geöffnet. Platzieren Sie dann das Kontaktelement gegen das Material, das beschädigt werden kann.
6. Ziehen Sie den Auslöseschalter bei betätigtem Kontaktelement bis zum Anschlag, um die Treiberposition zurückzusetzen.

► **Abb.28:** 1. Magazin 2. Kontaktelement
3. Auslöseschalter

Die Treiberposition wird korrekt initialisiert.

7. Nehmen Sie den Akku vom Werkzeug ab. Legen Sie die Befestigungselemente wieder in das Magazin ein. Setzen Sie den Akku wieder in das Werkzeug ein.

SONDERZUBEHÖR

⚠ VORSICHT: Die folgenden Zubehörteile oder Vorrichtungen werden für den Einsatz mit dem in dieser Anleitung beschriebenen Makita-Werkzeug empfohlen. Die Verwendung anderer Zubehörteile oder Vorrichtungen kann eine Verletzungsgefahr darstellen. Verwenden Sie Zubehörteile oder Vorrichtungen nur für ihren vorgesehenen Zweck.

Wenn Sie weitere Einzelheiten bezüglich dieser Zubehörteile benötigen, wenden Sie sich bitte an Ihre Makita-Kundendienststelle.

- Nägel
- Original-Makita-Akku und -Ladegerät

HINWEIS: Manche Teile in der Liste können als Standardzubehör im Werkzeugsatz enthalten sein. Sie können von Land zu Land unterschiedlich sein.

DATI TECNICI

Modello:	DBN501
Dimensione dei chiodi	18 Ga x 15 / 20 / 25 / 30 / 32 / 35 / 38 / 40 / 45 / 50 mm
Capacità del caricatore	110 pezzi
Dimensioni (L x P x A) ^{1,2}	246 mm x 96 mm x 301 mm
Tensione nominale	18 V CC
Peso netto	2,7 - 3,0 kg

¹ Gancio escluso

² Con BL1820B

NOTA: Nel presente manuale d'uso, i chiodi vengono chiamati "elementi di fissaggio", se non diversamente specificato.

- A causa del nostro programma continuativo di ricerca e sviluppo, i dati tecnici sono soggetti a modifiche senza preavviso.
- I dati tecnici possono variare da nazione a nazione.
- Il valore del peso netto comprende la combinazione più leggera e quella più pesante dell'accessorio o degli accessori e della cartuccia o delle cartucce delle batterie che sono specificati nelle istruzioni per l'uso.

Cartuccia della batteria e caricabatterie applicabili

Cartuccia della batteria	BL1815N / BL1820B / BL1830B / BL1840B / BL1850B / BL1860B
Caricabatterie	DC18RC / DC18RD / DC18RE / DC18SD / DC18SE / DC18SF / DC18SH / DC18WC

- Alcune cartucce delle batterie e alcuni caricabatterie elencati sopra potrebbero non essere disponibili a seconda della propria area geografica di residenza.

AVVERTIMENTO: Utilizzare solo le cartucce delle batterie e i caricabatterie elencati sopra. L'utilizzo di altre cartucce delle batterie e di altri caricabatterie potrebbe causare lesioni personali e/o un incendio.

Simboli

Le figure seguenti mostrano i simboli utilizzati per l'apparecchio. Accertarsi di comprenderne il significato prima dell'uso.

	Leggere il manuale d'uso.
	Indossare una protezione per gli occhi.
	Indossare protezioni per le orecchie.
	Indossare protezioni per le orecchie.
	Non utilizzare su impalcature o scale a pioli.
	Per evitare lo sparo accidentale, tenere le dita lontane dal grilletto quando non si intende applicare elementi di fissaggio.



Solo per le nazioni dell'EU
A causa della presenza di componenti pericolosi nelle apparecchiature, i rifiuti di apparecchiature elettriche ed elettroniche, accumulatori e batterie potrebbero produrre un impatto negativo sull'ambiente e sulla salute umana.
Non smaltire elettrodomestici elettrici ed elettronici o batterie insieme ai rifiuti domestici!
In conformità alla direttiva europea sui rifiuti di apparecchiature elettriche ed elettroniche (RAEE), sugli accumulatori e le batterie, nonché sui rifiuti di accumulatori e batterie, e al suo adattamento alle normative nazionali, i rifiuti di apparecchiature elettriche ed elettroniche, batterie e accumulatori vanno conservati separatamente e conferiti a un punto di raccolta separato per i rifiuti comunali, operando in conformità alle normative per la protezione dell'ambiente.
Tale requisito viene indicato mediante il simbolo del bidone della spazzatura con ruote barrato apposto sull'apparecchio.

Utilizzo previsto

Questo utensile è destinato a operazioni di fissaggio per lavori in interni e su arredamenti.

Rumore

Livello tipico di rumore pesato A determinato in base allo standard EN60745-2-16:

Livello di pressione sonora (L_{pA}): 82 dB (A)

Livello di potenza sonora (L_{WA}): 93 dB (A)

Incertezza (K): 3 dB (A)

NOTA: Il valore o i valori dichiarati delle emissioni di rumori sono stati misurati in conformità a un metodo standard di verifica, e possono essere utilizzati per confrontare un utensile con un altro.

NOTA: Il valore o i valori dichiarati delle emissioni di rumori possono essere utilizzati anche per una valutazione preliminare dell'esposizione.

⚠AVVERTIMENTO: Indossare protezioni per le orecchie.

⚠AVVERTIMENTO: L'emissione di rumori durante l'utilizzo effettivo dell'utensile elettrico può variare rispetto al valore o ai valori complessivi dichiarati, a seconda dei modi in cui viene utilizzato l'utensile.

⚠AVVERTIMENTO: Accertarsi di identificare misure di sicurezza per la protezione dell'operatore che siano basate su una stima dell'esposizione nelle condizioni effettive di utilizzo (tenendo conto di tutte le parti del ciclo operativo, ad esempio del numero di spegnimenti dell'utensile e di quando giri a vuoto, oltre al tempo di attivazione).

Vibrazioni

Valore complessivo delle vibrazioni stabilito in base all'EN60745-2-16:

Emissione di vibrazioni (a_h): 2,5 m/s² o inferiore

Incertezza (K): 1,5 m/s²

NOTA: Il valore o i valori complessivi delle vibrazioni dichiarati sono stati misurati in conformità a un metodo standard di verifica, e possono essere utilizzati per confrontare un utensile con un altro.

NOTA: Il valore o i valori complessivi delle vibrazioni dichiarati possono essere utilizzati anche per una valutazione preliminare dell'esposizione.

⚠AVVERTIMENTO: L'emissione di vibrazioni durante l'utilizzo effettivo dell'utensile elettrico può variare rispetto al valore o ai valori complessivi dichiarati, a seconda dei modi in cui viene utilizzato l'utensile.

⚠AVVERTIMENTO: Accertarsi di identificare misure di sicurezza per la protezione dell'operatore che siano basate su una stima dell'esposizione nelle condizioni effettive di utilizzo (tenendo conto di tutte le parti del ciclo operativo, ad esempio del numero di spegnimenti dell'utensile e di quando giri a vuoto, oltre al tempo di attivazione).

Dichiarazioni di conformità

Solo per i paesi europei

Le Dichiarazioni di conformità sono incluse nell'Allegato A al presente manuale d'uso.

AVVERTENZE DI SICUREZZA

Avvertenze generali relative alla sicurezza dell'utensile elettrico

⚠AVVERTIMENTO Leggere tutte le avvertenze di sicurezza, le istruzioni, le illustrazioni e i dati tecnici forniti insieme a questo utensile elettrico. La mancata osservanza di tutte le istruzioni seguenti potrebbe risultare in scosse elettriche, incendi e/o gravi lesioni personali.

Conservare tutte le avvertenze e le istruzioni come riferimento futuro.

Il termine "utensile elettrico" nelle avvertenze si riferisce sia all'utensile elettrico (cablato) nel funzionamento alimentato da rete elettrica che all'utensile elettrico (a batteria) nel funzionamento alimentato a batteria.

Avvertenze di sicurezza relative alla chiodatrice a batteria

1. **Presumere sempre che l'utensile contenga elementi di fissaggio.** Una manipolazione incauta della chiodatrice può risultare nello sparo improvviso di elementi di fissaggio e in lesioni personali.
2. **Non puntare l'utensile verso se stessi o altre persone nelle vicinanze.** Un'attivazione improvvisa della graffiatrice causa lo sparo di elementi di fissaggio, con conseguenti lesioni personali.
3. **Non attivare l'utensile se non è appoggiato saldamente contro il pezzo in lavorazione.** Qualora l'utensile non sia a contatto con il pezzo in lavorazione, l'elemento di fissaggio potrebbe venire deviato dal punto a cui si mira.
4. **In caso di inceppamenti degli elementi di fissaggio nell'utensile, scollegare quest'ultimo dalla fonte di alimentazione elettrica.** Durante la rimozione di un elemento di fissaggio inceppato, la chiodatrice potrebbe attivarsi accidentalmente, qualora sia collegata all'alimentazione elettrica.
5. **Adottare la massima cautela nella rimozione di elementi di fissaggio inceppati.** Durante un tentativo di liberare una condizione di inceppamento, il meccanismo potrebbe venire sottoposto a compressione, e l'elemento di fissaggio potrebbe venire sparato forzatamente.
6. **Non utilizzare la presente chiodatrice per fissare cavi elettrici.** L'utensile non è destinato all'installazione di cavi elettrici, e potrebbe danneggiare l'isolamento dei cavi, causando di conseguenza il rischio di scosse elettriche o incendi.
7. **Indossare sempre occhiali di sicurezza per proteggere gli occhi da lesioni causate da polveri o elementi di fissaggio.**
8. **Tenere le mani e i piedi lontani dall'area dell'apertura di espulsione.**
9. **Rimuovere sempre la cartuccia della batteria prima di caricare gli elementi di fissaggio e di**

effettuare regolazioni, ispezioni e manutenzione, oppure al termine dell'utilizzo.

10. Accertarsi che non siano presenti persone nelle vicinanze prima dell'uso. Non tentare mai di applicare elementi di fissaggio contemporaneamente sia dall'interno che dall'esterno di una parete. Gli elementi di fissaggio potrebbero trapassare il materiale e/o volare via, costituendo un grave pericolo.
11. Fare attenzione all'appoggio sui piedi e mantenere l'equilibrio con l'utensile. Quando si intende lavorare in ubicazioni elevate, accertarsi che non siano presenti persone sotto di sé.
12. Non utilizzare mai utensili per l'applicazione di elementi di fissaggio che rechino il simbolo "Non utilizzare su impalcature o scale a pioli" per applicazioni specifiche, ad esempio:
 - quando il passaggio da una posizione di applicazione a un'altra implica l'utilizzo di impalcature, scale, scale a pioli o costruzioni simili alle scale a pioli, ad es. cannici su tetti;
 - chiusura di scatole o casse;
 - montaggio di sistemi di sicurezza per i trasporti, ad es. su veicoli e carri merci.
13. Controllare con cura pareti, soffitti, pavimenti, coperture dei tetti e simili, per evitare possibili scosse elettriche, fughe di gas, esplosioni, e così via, causate dall'applicazione di punti metallici su fili elettrici sotto tensione, condutture o tubi del gas.
14. Utilizzare esclusivamente gli elementi di fissaggio specificati nel presente manuale. L'utilizzo di altri elementi di fissaggio potrebbe causare un malfunzionamento dell'utensile.
15. Non manomettere l'utensile né tentare di utilizzarlo a scopi diversi dall'applicazione di elementi di fissaggio.
16. Non far funzionare l'utensile senza gli elementi di fissaggio. In caso contrario, si riduce la vita utile dell'utensile.
17. Arrestare immediatamente l'operazione di applicazione qualora si notino problemi o anomalie con l'utensile.
18. Non applicare mai elementi di fissaggio su materiali che potrebbero consentire a un elemento di fissaggio di perforarli e volare via come un proiettile.
19. Non attivare mai l'interruttore a grilletto e l'elemento di contatto contemporaneamente fino a quando si è pronti all'applicazione di elementi di fissaggio sui pezzi in lavorazione. Consentire al pezzo in lavorazione di premere l'elemento di contatto. Non tentare mai di escludere la finalità dell'elemento di contatto fissandolo in posizione rientrata o premendolo con la mano.
20. Non manomettere mai l'elemento di contatto. Verificare spesso il funzionamento corretto dell'elemento di contatto.
21. Rimuovere sempre gli elementi di fissaggio dall'utensile quando quest'ultimo non è in uso.
22. Evitare di collocare magneti o dispositivi

magnetici simili a distanza troppo ravvicinata dall'utensile. In caso contrario, si potrebbe influenzare negativamente il sensore magnetico nell'utensile.

CONSERVARE LE PRESENTI ISTRUZIONI.

AVVERTIMENTO: NON lasciare che la comodità o la familiarità d'uso con il prodotto (acquisita con l'uso ripetuto) sostituiscano la stretta osservanza delle norme di sicurezza. L'USO IMPROPRIO o la mancata osservanza delle norme di sicurezza riportate nel presente manuale manuale di istruzioni potrebbero causare lesioni personali gravi.

Istruzioni di sicurezza importanti per la cartuccia della batteria

1. Prima di utilizzare la cartuccia della batteria, leggere tutte le istruzioni e le avvertenze riportate (1) sul caricabatteria, (2) sulla batteria e (3) sul prodotto che utilizza la batteria.
2. Non smantellare né manomettere la cartuccia della batteria. In caso contrario, si potrebbe causare un incendio, calore eccessivo o un'esplosione.
3. Qualora il tempo di utilizzo si riduca eccessivamente, interrompere immediatamente l'utilizzo dell'utensile. In caso contrario, si può incorrere nel rischio di surriscaldamento, possibili ustioni e persino un'esplosione.
4. Qualora l'elettrolita entri in contatto con gli occhi, sciacquarli con acqua pulita e richiedere immediatamente assistenza medica. Questa eventualità può risultare nella perdita della vista.
5. Non cortocircuitare la cartuccia della batteria:
 - (1) Non toccare i terminali con alcun materiale conduttivo.
 - (2) Evitare di conservare la cartuccia della batteria in un contenitore insieme ad altri oggetti metallici quali chiodi, monete, e così via.
 - (3) Non esporre la cartuccia della batteria all'acqua o alla pioggia.Un cortocircuito della batteria può causare un grande flusso di corrente, un surriscaldamento, possibili ustioni e persino un guasto.
6. Non conservare e utilizzare l'utensile e la cartuccia della batteria in ubicazioni in cui la temperatura possa raggiungere o superare i 50°C.
7. Non incenerire la cartuccia della batteria anche qualora sia gravemente danneggiata o completamente esaurita. La cartuccia della batteria può esplodere se a contatto con il fuoco.
8. Non inchiodare, tagliare, schiacciare, lanciare o far cadere la cartuccia della batteria, né farla urtare con forza contro un oggetto duro. Questi comportamenti potrebbero risultare in un incendio, calore eccessivo o un'esplosione.
9. Non utilizzare una batteria danneggiata.
10. Le batterie a ioni di litio contenute sono

soggette ai requisiti del regolamento sul trasporto di merci pericolose (Dangerous Goods Legislation).

Per trasporti commerciali, ad esempio da parte di terzi o spedizionieri, è necessario osservare dei requisiti speciali sull'imballaggio e sull'etichetta. Per la preparazione dell'articolo da spedire, è richiesta la consulenza di un esperto in materiali pericolosi. Attenersi anche alle normative nazionali, che potrebbero essere più dettagliate. Nastrare o coprire i contatti aperti e imballare la batteria in modo tale che non si possa muovere liberamente all'interno dell'imballaggio.

11. **Quando si intende smaltire la cartuccia della batteria, rimuoverla dall'utensile e smaltirla in un luogo sicuro. Attenersi alle normative locali relative allo smaltimento della batteria.**
12. **Utilizzare le batterie esclusivamente con i prodotti specificati da Makita.** L'installazione delle batterie in prodotti non compatibili potrebbe risultare in incendi, calore eccessivo, esplosioni o perdite di liquido elettrolitico.
13. **Se l'utensile non viene utilizzato per un periodo di tempo prolungato, la batteria deve essere rimossa dall'utensile.**
14. **Durante e dopo l'uso, la cartuccia della batteria potrebbe assorbire calore, che può causare ustioni o ustioni a bassa temperatura. Fare attenzione a come si maneggiano le cartucce delle batterie estremamente calde.**
15. **Non toccare i terminali dell'utensile subito dopo l'uso, in quanto potrebbero diventare estremamente caldi al punto da causare ustioni.**
16. **Evitare di far incastrare schegge, polveri o terreno nei terminali, nei fori e nelle scanalature della cartuccia della batteria.** In caso contrario, l'utensile o la cartuccia della batteria potrebbero riscaldarsi, prendere fuoco, scoppiare o guastarsi, causando ustioni o lesioni personali.
17. **A meno che l'utensile supporti l'uso in prossimità di linee elettriche ad alta tensione, non utilizzare la cartuccia della batteria in prossimità di linee elettriche ad alta tensione.** In caso contrario, si potrebbe causare un malfunzionamento o la rottura dell'utensile o della cartuccia della batteria.
18. **Tenere la batteria lontana dai bambini.**

CONSERVARE LE PRESENTI ISTRUZIONI.

⚠ATTENZIONE: Utilizzare solo batterie originali Makita. L'utilizzo di batterie Makita non originali, o di batterie che siano state alterate, potrebbe risultare nello scoppio della batteria, causando incendi, lesioni personali e danni. Inoltre, ciò potrebbe invalidare la garanzia Makita per l'utensile e il caricabatterie Makita.

AVVISO: Makita non si assume alcuna responsabilità per eventuali incidenti derivanti dall'utilizzo di batterie Makita non originali o di batterie che siano state modificate. Le batterie Makita originali sono state valutate in modo rigoroso per la compatibilità con utensili e caricabatterie Makita, in linea con la normativa e gli standard di sicurezza applicabili.

Suggerimenti per preservare la durata massima della batteria

1. **Caricare la cartuccia della batteria prima che si scarichi completamente. Smettere sempre di utilizzare l'utensile e caricare la cartuccia della batteria quando si nota che la potenza dell'utensile è diminuita.**
2. **Non ricaricare mai una cartuccia della batteria completamente carica. La sovraccarica riduce la vita utile della batteria.**
3. **Caricare la cartuccia della batteria a una temperatura ambiente compresa tra 10 °C e 40 °C. Lasciar raffreddare una cartuccia della batteria prima di caricarla.**
4. **Quando non si utilizza la cartuccia della batteria, rimuoverla dall'utensile o dal caricabatterie.**
5. **Caricare la cartuccia della batteria se non la si è utilizzata per un periodo di tempo prolungato (più di sei mesi).**

DESCRIZIONE DELLE FUNZIONI

⚠ATTENZIONE: Accertarsi sempre che l'utensile sia spento e che la cartuccia della batteria sia stata rimossa prima di regolare o di controllare il funzionamento dell'utensile.

Installazione o rimozione della cartuccia della batteria

⚠ATTENZIONE: Spegnerne sempre l'utensile prima di installare o rimuovere la cartuccia della batteria.

⚠ATTENZIONE: Mantenere saldamente lo strumento e la batteria quando si intende installare o rimuovere la cartuccia della batteria. Qualora non si mantengano saldamente lo strumento e la cartuccia della batteria, questi ultimi potrebbero scivolare dalle mani, con la possibilità di causare un danneggiamento dello strumento e della cartuccia della batteria, nonché una lesione personale.

Per installare la cartuccia della batteria, allineare la linguetta sulla cartuccia della batteria con la scanalatura nell'alloggiamento e farla scivolare in sede. Inserirla completamente fino al suo blocco in sede con un leggero scatto. Se è possibile vedere l'indicatore rosso, come indicato nella figura, non è bloccata completamente.

Per rimuovere la cartuccia della batteria, farla scorrere via dall'utensile mentre si fa scorrere allo stesso tempo il pulsante sulla parte anteriore della cartuccia.

► **Fig.1:** 1. Indicatore rosso 2. Pulsante 3. Cartuccia della batteria

⚠ATTENZIONE: Installare sempre fino in fondo la cartuccia della batteria, fino a quando l'indicatore rosso non è più visibile. In caso contrario, la batteria potrebbe cadere accidentalmente dall'utensile, causando lesioni personali all'operatore o a chi gli è vicino.

⚠ATTENZIONE: Non installare forzatamente la cartuccia della batteria. Qualora la batteria non si inserisca scorrendo agevolmente, vuol dire che non viene inserita correttamente.

Indicazione della carica residua della batteria

Solo per cartucce delle batterie dotate di indicatore

Premere il pulsante di controllo sulla cartuccia della batteria per indicare la carica residua della batteria. Gli indicatori luminosi si illuminano per alcuni secondi.

► **Fig.2:** 1. Indicatori luminosi 2. Pulsante di controllo

Indicatori luminosi			Carica residua
■ Illuminato	□ Spento	▬ Lampeggiante	
■ ■ ■ ■			Dal 75% al 100%
■ ■ ■ □			Dal 50% al 75%
■ ■ □ □			Dal 25% al 50%
■ □ □ □			Dallo 0% al 25%
▬ □ □ □			Caricare la batteria.
■ ■ □ □	↑ ↓	□ □	La batteria potrebbe essersi guastata.

NOTA: A seconda delle condizioni d'uso e della temperatura ambiente, l'indicazione potrebbe variare leggermente rispetto alla carica effettiva.

NOTA: Il primo indicatore luminoso (all'estremità sinistra) lampeggia quando il sistema di protezione della batteria è in funzione.

Sistema di protezione strumento/batteria

Lo strumento è dotato di un sistema di protezione strumento/batteria. Questo sistema interrompe automaticamente l'alimentazione al motore, per prolungare la vita utile dello strumento e della batteria. L'utensile si arresta automaticamente durante il funzionamento, qualora l'utensile stesso o la batteria vengano a trovarsi

in una delle condizioni seguenti: In alcune condizioni, gli indicatori si illuminano.

► **Fig.3:** 1. Lampada 2. Indicatore di accensione/modalità

NOTA: La forma dell'interruttore varia a seconda della propria area geografica di residenza.

Indicazione dello stato di protezione

Lampada		Indicatore di accensione/modalità		Stato
■ Accesa	▬ Lampeggiante	■ Accesa	▬ Lampeggiante	
	▬	▬	▬	Sovraccarico
	▬	▬	▬	Surriscaldamento

Protezione dal sovraccarico

Quando l'utensile o la batteria vengono utilizzati in un modo che causi un assorbimento di energia elevato in modo anomalo, l'utensile si arresta automaticamente. In questa situazione, spegnere l'utensile e interrompere l'applicazione che ha causato il sovraccarico dell'utensile. Quindi, accendere l'utensile per ricominciare.

Protezione dal surriscaldamento

Quando l'utensile o la batteria sono surriscaldati, l'utensile si arresta automaticamente. In questa situazione, lasciar raffreddare l'utensile prima di riaccenderlo.

Protezione dalla sovrascarica

Quando la carica della batteria diventa bassa, l'utensile si arresta automaticamente. Qualora il prodotto non funzioni anche quando si attivano gli interruttori, rimuovere la batteria o le batterie dall'utensile e ricaricarle o caricarle.

Protezione da altre cause

Il sistema di protezione è progettato anche per altre cause che potrebbero danneggiare l'utensile, e consente all'utensile di arrestarsi automaticamente. Adottare tutte le misure seguenti per rimuovere le cause, quando l'utensile è stato portato a un'interruzione temporanea o a un arresto del funzionamento.

1. Accertarsi che tutti gli interruttori siano nella posizione di spegnimento, quindi riaccendere l'utensile per ricominciare.
2. Caricare la batteria o le batterie, o sostituirla/sostituirele con una batteria o delle batterie ricaricate.
3. Lasciar raffreddare l'utensile e la batteria o le batterie.

Qualora non si riscontri alcun miglioramento ripristinando il sistema di protezione, contattare il proprio centro di assistenza locale Makita.

Funzionamento dell'interruttore di accensione

ATTENZIONE: Prima di inserire la cartuccia della batteria nell'utensile, controllare sempre che l'interruttore a grilletto funzioni correttamente e torni sulla posizione "OFF" quando viene rilasciato.

Per accendere l'utensile, tenere premuto il pulsante di accensione principale fino a quando l'indicatore luminoso di accensione si illumina.

Per spegnere l'utensile, tenere premuto il pulsante di accensione principale fino a quando l'indicatore di accensione si spegne.

NOTA: La forma dell'interruttore varia a seconda della propria area geografica di residenza.

► **Fig.4:** 1. Pulsante di accensione principale
2. Indicatore di accensione

NOTA: Non è possibile accendere l'utensile mentre l'interruttore a grilletto o l'elemento di contatto sono azionati. Accertarsi di rilasciare l'interruttore a grilletto e l'elemento di contatto prima di accendere l'utensile.

NOTA: Non è possibile spegnere l'utensile mentre si stanno applicando gli elementi di fissaggio.

NOTA: L'interruttore di accensione principale si disattiva automaticamente se si lascia l'utensile incustodito per un periodo di tempo prolungato.

Selezione della modalità di azionamento

Specifico in base alla nazione

NOTA: In alcune aree geografiche o nazioni è disponibile solo una singola modalità di applicazione. Il design dell'interruttore varia a seconda dell'area geografica di residenza dell'utilizzatore.

L'utensile utilizza un'attivazione con azionamento selettivo. Premere e tenere premuto brevemente il pulsante del commutatore della modalità di azionamento per selezionare la modalità di azionamento desiderata.

► **Fig.5:** 1. Pulsante del commutatore della modalità di azionamento 2. Modalità di azionamento in sequenza 3. Modalità di azionamento a contatto

Commutatore della modalità	Modalità di azionamento	Funzione
	Azionamento completamente sequenziale	Applicare un singolo elemento di fissaggio con un'unica operazione in sequenza. Modalità idonea per applicare un elemento di fissaggio con attenzione e precisione, e utile quando si richiede un posizionamento preciso degli elementi di fissaggio.

Commutatore della modalità	Modalità di azionamento	Funzione
	Azionamento a contatto	Sono disponibili un'applicazione singola o un'applicazione continua. Modalità preferita quando si richiede un fissaggio ad elevata produttività.

: non disponibile in alcune aree geografiche e nazioni.

NOTA: Non è possibile passare a un'altra modalità di azionamento mentre l'interruttore a grilletto o l'elemento di contatto sono azionati.

Regolazione della profondità di applicazione

AVVERTIMENTO: Prima di regolare la profondità di applicazione, accertarsi sempre che le dita non siano posizionate sull'interruttore a grilletto o sull'elemento di contatto e che la cartuccia della batteria sia stata rimossa.

Ruotare il regolatore di profondità per regolare la profondità di applicazione. La profondità di applicazione aumenta man mano che si ruota il regolatore nella direzione A, e si riduce nella direzione B, come indicato nella figura. L'escursione di regolazione della profondità di applicazione è di 8,0 mm.

► **Fig.6:** 1. Regolatore della profondità

AVVISO: Non ruotare eccessivamente il regolatore di profondità, altrimenti quest'ultimo potrebbe incepparsi.

Regolare la profondità di applicazione in base alle esigenze.

► **Fig.7:** 1. Troppo profondo 2. A filo 3. Troppo in superficie

Illuminazione della lampada

ATTENZIONE: Non osservare né guardare direttamente la fonte di luce.

Premere l'interruttore a grilletto o azionare l'elemento di contatto per far illuminare la lampada. La lampada resta illuminata mentre si tiene premuto l'interruttore a grilletto o si aziona l'elemento di contatto. La lampada si spegne svariati secondi dopo il rilascio dell'interruttore a grilletto e dell'elemento di contatto.

► **Fig.8:** 1. Interruttore a grilletto 2. Elemento di contatto 3. Lampadina

AVVISO: Per pulire la sporcizia dalla lente della lampadina, utilizzare un panno asciutto. Fare attenzione a non graffiare la lente della lampadina, altrimenti si potrebbe ridurre l'illuminazione.

AVVISO: Quando l'utensile è surriscaldato, la lampada lampeggia. In questo caso, rilasciare l'interruttore a grilletto e l'elemento di contatto, quindi far raffreddare l'utensile o la batteria, prima di riprendere l'utilizzo.

NOTA: L'utensile potrebbe non sparare dopo che la carica della batteria è diventata bassa, anche quando la lampada resta illuminata. In questo caso, caricare la cartuccia della batteria.

MONTAGGIO

ATTENZIONE: Accertarsi sempre che l'utensile sia spento e che la cartuccia della batteria sia stata rimossa, prima di effettuare qualsiasi intervento sull'utensile.

Caricamento/scaricamento degli elementi di fissaggio

ATTENZIONE: Accertarsi sempre che la cartuccia della batteria sia stata rimossa, prima di caricare gli elementi di fissaggio. Lo sparo accidentale potrebbe causare lesioni personali e danni alle cose.

ATTENZIONE: Non far scorrere bruscamente lo sportellino scorrevole della chiodatrice caricata con elementi di fissaggio. La caduta accidentale di elementi di fissaggio, specialmente quando si lavora in ubicazioni elevate, potrebbe causare lesioni personali.

ATTENZIONE: Caricare gli elementi di fissaggio nella direzione corretta. Il caricamento nella direzione errata potrebbe causare un'usura prematura del propulsore e il danneggiamento delle altre parti.

AVVISO: Non utilizzare elementi di fissaggio e nastri di elementi di fissaggio deformati. Utilizzare gli elementi di fissaggio specificati nel presente manuale. L'utilizzo di elementi di fissaggio diversi da quelli specificati potrebbe causare l'inceppamento degli elementi di fissaggio e un malfunzionamento.

1. Rimuovere la cartuccia della batteria.
2. Premere la leva e aprire lo sportellino scorrevole del caricatore.
► **Fig.9:** 1. Leva 2. Sportellino scorrevole 3. Caricatore
3. Inserire un nastro di elementi di fissaggio in modo che le punte degli elementi di fissaggio si trovino tra la base del caricatore e il caricatore, quindi far scorrere il nastro di elementi di fissaggio verso la guida del propulsore.
► **Fig.10:** 1. Nastro di elementi di fissaggio 2. Base del caricatore 3. Caricatore 4. Guida del propulsore
4. Riportare lo sportellino scorrevole nella posizione originale fino a quando la leva lo blocca.

Per rimuovere gli elementi di fissaggio, premere la leva e far scorrere lo sportellino scorrevole. Estrarre gli elementi di fissaggio dal caricatore.

Adattatore della punta

ATTENZIONE: Prima di montare o smontare l'adattatore della punta, accertarsi sempre che le dita non siano posizionate sull'interruttore a grilletto o sull'elemento di contatto, rimuovere tutti gli elementi di fissaggio rimasti nel caricatore, quindi rimuovere la cartuccia della batteria.

Quando si intende applicare elementi di fissaggio su materiali con superfici che si rovinano facilmente, montare l'adattatore della punta sull'elemento di contatto.

Montaggio dell'adattatore della punta

Applicare l'adattatore della punta sull'elemento di contatto. Accertarsi che l'adattatore della punta si inserisca perfettamente, come indicato nella figura.

► **Fig.11:** 1. Adattatore della punta 2. Elemento di contatto

Smontaggio dell'adattatore della punta

È possibile rimuovere l'adattatore della punta con la mano.

NOTA: Quando non si riesce a rimuovere l'adattatore della punta con la mano, inserire un cacciavite a punta piatta tra l'adattatore della punta e l'elemento di contatto e rimuovere l'adattatore della punta.

► **Fig.12:** 1. Adattatore della punta 2. Elemento di contatto 3. Cacciavite a punta piatta

NOTA: È possibile conservare l'adattatore della punta sul supporto come indicato nella figura, per evitare che si perda.

► **Fig.13:** 1. Adattatore della punta 2. Supporto

Gancio

AVVERTIMENTO: Fare attenzione a non sovraccaricare il gancio con forza eccessiva. In caso contrario, un sovraccarico irregolare potrebbe causare danni all'utensile, con conseguenti lesioni personali.

ATTENZIONE: Non appendere il gancio alla cintura. La caduta dell'utensile, causata dalla fuoriuscita accidentale del gancio dalla sua sede, potrebbe causare lo sparo accidentale e risultare in lesioni personali.

► **Fig.14**

⚠ATTENZIONE: Quando si intende installare il gancio, fissarlo sempre saldamente con la vite. In caso contrario, il gancio potrebbe staccarsi dall'utensile e causare lesioni personali.

⚠ATTENZIONE: Utilizzare le parti per la sospensione o il montaggio esclusivamente per gli scopi a cui sono destinate. L'utilizzo a non previsti potrebbe causare incidenti o lesioni personali.

⚠ATTENZIONE: Accertarsi di appendere saldamente l'utensile prima di lasciare la presa. Un aggancio insufficiente o sbilanciato potrebbe causare una caduta, e l'utilizzatore potrebbe subire lesioni personali.

Il gancio è comodo per appendere temporaneamente l'utensile. Appendere l'utensile su una rastrelliera o un binario per utensili, o su una parete, con il gancio.

È possibile installare il gancio su entrambi i lati dell'utensile.

Per installare il gancio, inserirlo in una scanalatura da uno dei lati del corpo dell'utensile, quindi fissarlo con la vite, come indicato nella figura. Per rimuoverlo, allentare la vite e quindi rimuovere il gancio.

► Fig.15: 1. Scanalatura 2. Gancio 3. Vite

FUNZIONAMENTO

Verifica del sistema di sicurezza

⚠AVVERTIMENTO: Accertarsi che tutti i sistemi di sicurezza funzionino correttamente, prima dell'uso. In caso contrario, si potrebbero causare lesioni personali.

► Fig.16: 1. Interruttore a grilletto 2. Elemento di contatto 3. Caricatore 4. Leva

Prima dell'uso, verificare l'eventuale presenza di guasti o malfunzionamenti del sistema di sicurezza nel modo seguente.

1. Rimuovere la cartuccia della batteria dall'utensile. Quindi, scaricare tutti gli elementi di fissaggio rimasti nel caricatore.

2. Installare la cartuccia della batteria in sede e accendere l'utensile.

3. Premere l'interruttore a grilletto, senza fare toccare il materiale all'elemento di contatto.

4. Aprire il caricatore e lasciarlo aperto. Quindi, appoggiare l'elemento di contatto contro il materiale, senza premere l'interruttore a grilletto.

Qualora l'utensile entri in funzione nei casi descritti sopra al punto 3 o 4, significa che il sistema di sicurezza non sta funzionando correttamente. Interrompere immediatamente l'utilizzo dell'utensile e rivolgersi al proprio centro di assistenza Makita locale.

Come maneggiare gli elementi di fissaggio

Chiodi

Maneggiare i chiodi e le relative scatole con attenzione. Qualora i chiodi siano stati maneggiati in modo brusco, potrebbero essere deformati o il loro connettore si potrebbe rompere, causando un'alimentazione scadente dei chiodi.

AVVISO: Evitare di conservare i chiodi in ubicazioni molto umide o calde, oppure in ubicazioni esposte alla luce diretta del sole.

► Fig.17

Applicazione degli elementi di fissaggio

⚠AVVERTIMENTO: Tenere il viso lontano dall'utensile, durante l'utilizzo di quest'ultimo. In caso contrario, si potrebbero causare lesioni personali.

⚠AVVERTIMENTO: Non utilizzare l'utensile per il fissaggio di cavi elettrici. Questo utensile non è destinato all'installazione di cavi elettrici, e potrebbe danneggiare l'isolamento dei cavi elettrici, causando di conseguenza il rischio di scosse elettriche o incendi.

⚠AVVERTIMENTO: Continuare a tenere l'elemento di contatto saldamente sul materiale fino a quando il chiodo è stato applicato completamente. Lo sparo accidentale potrebbe causare lesioni personali.

⚠ATTENZIONE: Mantenere l'utensile saldamente durante l'uso.

⚠ATTENZIONE: Non applicare elementi di fissaggio su materiali duri, quali metalli o simili. Qualora l'elemento di fissaggio non riesca a penetrare il materiale, l'utensile potrebbe subire un contraccolpo verso l'operatore e causare lesioni personali.

AVVISO: L'utensile non avvia il fissaggio, dopo cinque secondi senza alcuna operazione con gli interruttori, mentre si aziona solo l'interruttore a grilletto o l'elemento di contatto. Per riavviare il fissaggio, rilasciare l'interruttore a grilletto o tirare via l'elemento di contatto dal pezzo in lavorazione, quindi riposizionare l'utensile nello stesso punto.

NOTA: Se si applicano chiodi continuamente per un periodo di tempo prolungato, l'aria di scarico diventa estremamente calda a causa del calore prodotto dal motore.

L'utensile utilizza due operazioni di applicazione: azionamento completamente sequenziale e azionamento a contatto.

NOTA: In alcune aree geografiche o nazioni è disponibile solo una singola modalità di applicazione (azionamento completamente sequenziale). Il design dell'interruttore varia a seconda dell'area geografica di residenza dell'utilizzatore.

Azionamento completamente sequenziale

In questa modalità, è possibile applicare un singolo elemento di fissaggio mediante un'unica operazione in sequenza.

Per azionare l'utensile, è necessario un contatto con l'elemento in lavorazione e quindi l'attivazione del grilletto in una sequenza specifica. Per continuare ad applicare elementi di fissaggio, rilasciare e riattivare i controlli mediante interruttore nella stessa sequenza.

1. Premere e tenere premuto il pulsante di accensione principale per accendere l'utensile.
2. Accertarsi che l'indicatore luminoso della modalità di azionamento in sequenza si illumini.

► **Fig.18:** 1. Pulsante di accensione principale
2. Indicatore luminoso della modalità di azionamento in sequenza

3. Appoggiare l'elemento di contatto di piatto sul materiale.

► **Fig.19:** 1. Elemento di contatto

4. Premere a fondo l'interruttore a grilletto per applicare un elemento di fissaggio.

► **Fig.20:** 1. Interruttore a grilletto

5. Rilasciare il dito dall'interruttore a grilletto. Quindi, sollevare l'elemento di contatto dal materiale.

Per applicare l'elemento di fissaggio successivo, ripetere i punti da 3 a 5 nella stessa sequenza.

Azionamento a contatto

Specifico in base alla nazione

In questa modalità, è possibile scegliere tra l'applicazione continua o singola seguendo una qualsiasi sequenza di funzionamento del grilletto.

Per azionare l'utensile, è possibile attivare un contatto con l'elemento in lavorazione e l'azionamento del grilletto in qualsiasi sequenza. Per applicare continuamente elementi di fissaggio, rilasciare e riattivare il contatto con il pezzo in lavorazione.

Per una singola applicazione

1. Premere e tenere premuto il pulsante di accensione principale per accendere l'utensile.
2. Premere e tenere premuto brevemente il pulsante del commutatore della modalità di azionamento per selezionare la modalità di azionamento a contatto.

L'indicatore luminoso della modalità di azionamento a contatto si illumina.

► **Fig.21:** 1. Pulsante del commutatore della modalità di azionamento 2. Indicatore luminoso della modalità di azionamento a contatto

3. Appoggiare l'elemento di contatto di piatto sul materiale.

4. Premere a fondo l'interruttore a grilletto per applicare un elemento di fissaggio.

5. Rilasciare il dito dall'interruttore a grilletto. Quindi, sollevare l'elemento di contatto dal materiale.

Per applicare l'elemento di fissaggio successivo, ripetere i punti da 3 a 5 nella stessa sequenza.

Per un'applicazione continuativa

1. Premere e tenere premuto il pulsante di accensione principale per accendere l'utensile.
2. Premere e tenere premuto brevemente il pulsante del commutatore della modalità di azionamento per selezionare la modalità di azionamento a contatto.

L'indicatore luminoso della modalità di azionamento a contatto si illumina.

3. Premere l'interruttore a grilletto.

► **Fig.22:** 1. Interruttore a grilletto

4. Appoggiare l'elemento di contatto di piatto sul materiale per applicare un elemento di fissaggio.

5. Spostare l'utensile sulle aree successive con l'interruttore a grilletto premuto, quindi appoggiare l'elemento di contatto di piatto sul materiale per applicare gli elementi di fissaggio successivi.

► **Fig.23:** 1. Interruttore a grilletto 2. Elemento di contatto

Meccanismo di prevenzione dello sparo a vuoto

Quando gli elementi di fissaggio restanti nel caricatore si riducono a un numero di pezzi compreso tra 5 - 7, non è più possibile azionare l'interruttore, e l'utensile smette di sparare. Inserire un nuovo nastro di elementi di fissaggio nel caricatore, prima di riprendere l'utilizzo.

Controllo degli elementi di fissaggio restanti

È possibile controllare la quantità di elementi di fissaggio restanti attraverso la finestrella di controllo.

L'indicatore si sposta verso l'apertura di sparo, man mano che la quantità di elementi di fissaggio restanti si riduce.

► **Fig.24:** 1. Finestrella di controllo 2. Indicatore

Rimozione degli elementi di fissaggio inceppati

⚠AVVERTIMENTO: Accertarsi sempre che la cartuccia della batteria e gli elementi di fissaggio siano stati rimossi, prima di rimuovere elementi di fissaggio inceppati.

⚠AVVERTIMENTO: Non spingere forzatamente il propulsore degli elementi di fissaggio. Non colpire il propulsore degli elementi di fissaggio e questi ultimi con alcun attrezzo manuale per rimuovere gli inceppamenti. Tenere presente che l'utensile è caricato con aria compressa, e la pressione viene mantenuta all'interno. La mancata osservanza delle precauzioni di sicurezza nel manuale può risultare in gravi lesioni personali.

⚠AVVERTIMENTO: Non puntare mai l'utensile verso se stessi o altre persone nelle vicinanze quando si intende rimuovere inceppamenti. La mancata osservanza di questa indicazione potrebbe causare il rischio di lesioni personali dovute a sparo accidentale, poiché l'utensile è caricato con aria compressa in una camera stagna in fabbrica.

⚠ATTENZIONE: Non rimuovere gli elementi di fissaggio inceppati a mani nude. L'elemento di fissaggio potrebbe saltare fuori dal caricatore e causare lesioni personali.

⚠ATTENZIONE: Per risolvere inceppamenti frequenti o situazioni di inceppamento difficili da risolvere, consultare il proprio centro di assistenza Makita locale.

⚠ATTENZIONE: Accertarsi sempre di bloccare il dispositivo di chiusura dopo la rimozione degli elementi di fissaggio inceppati.

Quando si verifica un inceppamento di un elemento di fissaggio, esaminare da vicino l'unità di alimentazione e propulsione degli elementi di fissaggio. Gli inceppamenti tendono ad essere causati da elementi di fissaggio incastrati tra il propulsore degli elementi di fissaggio e la guida sotto il propulsore.

Per rimuovere un inceppamento, sbloccare il dispositivo di chiusura e aprire la guida del propulsore. Rimuovere gli elementi di fissaggio inceppati e bloccare il dispositivo di chiusura.

► **Fig.25:** 1. Dispositivo di chiusura 2. Guida sotto il propulsore 3. Guida del propulsore

MANUTENZIONE

⚠AVVERTIMENTO: Non smontare questo utensile. Questo utensile è sigillato con aria compressa, e lo smontaggio potrebbe causare gravi lesioni personali.



⚠ATTENZIONE: Accertarsi sempre che l'utensile sia spento e che la cartuccia della batteria sia stata rimossa prima di tentare di eseguire interventi di ispezione o manutenzione.

AVVISO: Non utilizzare mai benzina, benzene, solventi, alcol o altre sostanze simili. In caso contrario, si potrebbero causare scolorimenti, deformazioni o crepe.

Per preservare la SICUREZZA e l'AFFIDABILITÀ del prodotto, le riparazioni e qualsiasi altro intervento di manutenzione e di regolazione devono essere eseguiti da un centro di assistenza autorizzato Makita, utilizzando sempre ricambi Makita.

Inizializzazione della posizione del propulsore

Il propulsore potrebbe non venire posizionato correttamente dietro l'elemento di fissaggio da applicare, subito dopo un inceppamento di un elemento di fissaggio o in condizioni di bassa carica della batteria. Prima di riavviare l'operazione, eseguire sempre la procedura di inizializzazione.

1. Rimuovere la cartuccia della batteria dall'utensile.
2. Quindi, estrarre tutti gli elementi di fissaggio rimasti nel caricatore.
3. Osservare la posizione del propulsore.

Qualora si veda la punta del propulsore fuoriuscire dalla guida del propulsore, l'elemento di contatto non può venire azionato correttamente durante l'inizializzazione.

► **Fig.26:** 1. Propulsore 2. Guida del propulsore

Ruotare il regolatore di profondità per impostarlo su quella minima, in modo che l'elemento di contatto funzioni correttamente.

► **Fig.27:** 1. Regolatore di profondità

4. Installare la cartuccia della batteria in sede e accendere l'utensile.
5. Aprire il caricatore e lasciarlo aperto. Quindi, appoggiare l'elemento di contatto contro il materiale che può venire danneggiato.
6. Premere a fondo l'interruttore a grilletto, con l'elemento di contatto azionato, per reimpostare la posizione del propulsore.

► **Fig.28:** 1. Caricatore 2. Elemento di contatto 3. Interruttore a grilletto

La posizione del propulsore viene inizializzata

correttamente.

7. Rimuovere la cartuccia della batteria dall'utensile. Ricaricare gli elementi di fissaggio nel caricatore. Reinserire la cartuccia della batteria nell'utensile.

ACCESSORI OPZIONALI

⚠ATTENZIONE: Questi accessori o componenti aggiuntivi sono consigliati per l'uso con l'utensile Makita specificato nel presente manuale.

L'impiego di altri accessori o componenti aggiuntivi può costituire un rischio di lesioni alle persone.

Utilizzare gli accessori o i componenti aggiuntivi solo per il loro scopo prefissato.

Per ottenere ulteriori dettagli relativamente a questi accessori, rivolgersi a un centro di assistenza Makita.

- Chiodi
- Batteria e caricabatterie originali Makita

NOTA: Alcuni articoli nell'elenco potrebbero essere inclusi nell'imballaggio dell'utensile come accessori standard. Tali articoli potrebbero variare da nazione a nazione.

TECHNISCHE GEGEVENS

Model:	DBN501
Maat van nagels	18 Ga x 15 / 20 / 25 / 30 / 32 / 35 / 38 / 40 / 45 / 50 mm
Capaciteit van magazijn	110 stuks
Afmetingen (l x b x h) ^{*1, *2}	246 mm x 96 mm x 301 mm
Nominale spanning	18 V gelijkspanning
Nettogewicht	2,7 - 3,0 kg

*1 Zonder haak

*2 met BL1820B

OPMERKING: Nagels worden in deze gebruiksaanwijzing aangeduid met "bevestigingsmiddelen" behalve indien anderszins aangegeven.

- In verband met ononderbroken research en ontwikkeling, behouden wij ons het recht voor de bovenstaande technische gegevens zonder voorafgaande kennisgeving te wijzigen.
- De technische gegevens kunnen van land tot land verschillen.
- De waarde van het nettogewicht is inclusief de lichtste en zwaarste combinatie van de hulpstukken en accu's die worden vermeld in de gebruiksaanwijzing.

Toepasselijke accu's en laders

Accu	BL1815N / BL1820B / BL1830B / BL1840B / BL1850B / BL1860B
Lader	DC18RC / DC18RD / DC18RE / DC18SD / DC18SE / DC18SF / DC18SH / DC18WC

- Sommige van de hierboven vermelde accu's en laders zijn mogelijk niet leverbaar afhankelijk van waar u woont.

⚠ WAARSCHUWING: Gebruik uitsluitend de accu's en laders die hierboven worden genoemd. Gebruik van enige andere accu of lader kan leiden tot letsel en/of brand.

Symbolen

Hieronder staan de symbolen die voor het gereedschap kunnen worden gebruikt. Zorg ervoor dat u de betekenis ervan kent voordat u het gereedschap gaat gebruiken.

	Lees de gebruiksaanwijzing.
	Draag oogbescherming.
	Draag gehoorbescherming.
	Gebruik het gereedschap niet op een steiger of ladder.
	Houd uw vingers uit de buurt van de trekker wanneer u niet wilt nagelen om het per ongeluk afschieten van bevestigingsmiddelen te voorkomen.



Alleen voor EU-landen
Als gevolg van de aanwezigheid van schadelijke componenten in het apparaat, kunnen oude elektrische en elektronische apparaten, accu's en batterijen negatieve gevolgen hebben voor het milieu en de gezondheid van mensen.
Gooi elektrische en elektronische apparaten en accu's niet met het huisvuil weg!
In overeenstemming met de Europese richtlijn inzake oude elektrische en elektronische apparaten en inzake accu's en batterijen en oude accu's en batterijen, alsmede de toepassing daarvan binnen de nationale wetgeving, dienen oude elektrische apparaten, accu's en batterijen gescheiden te worden opgeslagen en te worden ingeleverd bij een apart inzamelingspunt voor huishoudelijk afval dat de milieubeschermingsvoorschriften in acht neemt.
Dit wordt op het apparaat aangegeven door het symbool van een doorgekruiste afvalcontainer.

Gebruiksdoeleinden

Dit gereedschap is bedoeld voor het bevestigen van materialen bij binnenafwerking en meubelbouw.

Geluidsniveau

De typische, A-gewogen geluidsniveaus zijn gemeten volgens EN60745-2-16:

Geluidsdrukniveau (L_{pA}): 82 dB (A)

Geluidsvermogeniveau (L_{WA}): 93 dB (A)

Onzekerheid (K): 3 dB (A)

OPMERKING: De opgegeven geluidsemisiewaarde(n) is/zijn gemeten volgens een standaardtestmethode en kan/kunnen worden gebruikt om dit gereedschap te vergelijken met andere gereedschappen.

OPMERKING: De opgegeven geluidsemisiewaarde(n) kan/kunnen ook worden gebruikt voor een beoordeling vooraf van de blootstelling.

⚠️ WAARSCHUWING: Draag gehoorbescherming.

⚠️ WAARSCHUWING: De geluidsemisie tijdens het gebruik van het elektrisch gereedschap in de praktijk kan verschillen van de opgegeven totale waarde(n) afhankelijk van de manier waarop het gereedschap wordt gebruikt.

⚠️ WAARSCHUWING: Zorg ervoor dat veiligheidsmaatregelen worden getroffen ter bescherming van de gebruiker die zijn gebaseerd op een schatting van de blootstelling onder praktijkomstandigheden (rekening houdend met alle fasen van de bedrijfscyclus, zoals de tijdsduur gedurende welke het gereedschap is uitgeschakeld en stationair draait, naast de ingeschakelde tijdsduur).

Trilling

De totale trillingswaarde zoals vastgesteld volgens EN60745-2-16:

Trillingsemisie (a_h): 2,5 m/s² of lager

Onzekerheid (K): 1,5 m/s²

OPMERKING: De totale trillingswaarde(n) is/zijn gemeten volgens een standaardtestmethode en kan/kunnen worden gebruikt om dit gereedschap te vergelijken met andere gereedschappen.

OPMERKING: De opgegeven totale trillingswaarde(n) kan/kunnen ook worden gebruikt voor een beoordeling vooraf van de blootstelling.

⚠️ WAARSCHUWING: De trillingsemisie tijdens het gebruik van het elektrisch gereedschap in de praktijk kan verschillen van de opgegeven totale waarde(n) afhankelijk van de manier waarop het gereedschap wordt gebruikt.

⚠️ WAARSCHUWING: Zorg ervoor dat veiligheidsmaatregelen worden getroffen ter bescherming van de gebruiker die zijn gebaseerd op een schatting van de blootstelling onder praktijkomstandigheden (rekening houdend met alle fasen van de bedrijfscyclus, zoals de tijdsduur gedurende welke het gereedschap is uitgeschakeld en stationair draait, naast de ingeschakelde tijdsduur).

Verklaringen van conformiteit

Alleen voor Europese landen

De verklaringen van conformiteit zijn bijgevoegd in Bijlage A bij deze gebruiksaanwijzing.

VEILIGHEIDSWAARSCHUWINGEN

Algemene veiligheidswaarschuwingen voor elektrisch gereedschap

⚠️ WAARSCHUWING Lees alle veiligheidswaarschuwingen, instructies, afbeeldingen en technische gegevens die bij dit elektrisch gereedschap worden geleverd. Als niet alle onderstaande instructies worden opgevolgd, kan dat leiden tot een elektrische schok, brand en/of ernstig letsel.

Bewaar alle waarschuwingen en instructies om in de toekomst te kunnen raadplegen.

De term "elektrisch gereedschap" in de veiligheidsvoorschriften duidt op gereedschappen die op stroom van het lichtnet werken (met snoer) of gereedschappen met een accu (snoerloos).

Veiligheidswaarschuwingen voor een accunagelpistool

- Ga er altijd van uit dat in het gereedschap bevestigingsmiddelen zitten.** Onzorgvuldig omgaan met het nagelpistool kan resulteren in onverwacht schieten van bevestigingsmiddelen waardoor persoonlijk letsel kan ontstaan.
- Richt het gereedschap niet op uzelf of iemand in de buurt.** Door onverwachte bediening zal het bevestigingsmiddel worden geschoten met letsel tot gevolg.
- Schakel het gereedschap niet in als dit niet stevig tegen het werkstuk wordt gedrukt.** Als het gereedschap niet het werkstuk raakt, kan het bevestigingsmiddel van het doel afbuigen.
- Koppel het gereedschap los van de voeding wanneer het bevestigingsmiddel vastloopt in het gereedschap.** Tijdens het verwijderen van een vastgelopen bevestigingsmiddel, kan het nagelpistool per ongeluk worden geactiveerd als het is aangesloten op de voeding.
- Wees voorzichtig bij het verwijderen van een vastgelopen bevestigingsmiddel.** Het mechanisme kan onder druk staan en het vastgelopen bevestigingsmiddel kan met kracht eruit komen terwijl u het probeert vrij te maken.
- Gebruik het nagelpistool niet voor het bevestigen van elektriciteitskabels.** Het is niet ontworpen voor de installatie van elektriciteitskabels en kan de isolatie van de elektriciteitskabels

beschadigen en hierdoor elektrische schokken of brandgevaar veroorzaken.

7. **Draag altijd een veiligheidsbril om uw ogen te beschermen tegen letsel door stof of bevestigingsmiddelen.**
8. **Houd uw handen en voeten uit de buurt van de uitwerpopening.**
9. **Verwijder altijd de accu voordat u nieuwe bevestigingsmiddelen laadt, tijdens afstellen, inspectie, onderhoud of nadat het werk is voltooid.**
10. **Verzeker u ervan alvorens het gereedschap te bedienen dat niemand dichtbij staat. Probeer nooit tegelijkertijd van binnenuit en van buitenaf bevestigingsmiddelen in een muur te schieten. De bevestigingsmiddelen kunnen er dwars doorheen schieten of afketsen en een groot gevaar opleveren.**
11. **Zorg ervoor dat u tijdens het gebruik van het gereedschap stevig staat en uw evenwicht goed bewaart. Controleer of er zich niemand beneden u bevindt wanneer u op hoge plaatsen gaat werken.**
12. **Gebruik nooit elektrisch bevestigingsgereedschap met daarop het symbool "Gebruik het gereedschap niet op een steiger of ladder" bij bepaalde toepassingen, bijvoorbeeld:**
 - als bij het veranderen van een werkplek naar de volgende, gebruik gemaakt wordt van een steiger, trap, ladder of soortgelijke constructies, bijv. daklatten;
 - bij het sluiten van dozen of kratten;
 - bij het monteren van transportbeveiligingssysteem, bijv. op voertuigen en aanhangers.
13. **Controleer muren, plafonds, vloeren en dergelijke grondig om te voorkomen dat door het niet in elektrische draden, pijpen of gasleidingen een elektrische schok, gaslek, explosie, enz., kan ontstaan.**
14. **Gebruik uitsluitend bevestigingsmiddelen die in deze gebruiksaanwijzing worden aangegeven. Door een ander soort bevestigingsmiddel te gebruiken, kan een storing in het gereedschap worden veroorzaakt.**
15. **Knoei niet aan het gereedschap en gebruik het niet voor een ander doeleinde dan voor het aanbrengen van bevestigingsmiddelen.**
16. **Bedien het gereedschap niet zonder dat er bevestigingsmiddelen in zitten. De levensduur van het gereedschap zal hierdoor korter worden.**
17. **Stop onmiddellijk met bevestigen als u een probleem of iets vreemds opmerkt aan het gereedschap.**
18. **Breng nooit bevestigingsmiddelen aan in materialen die de bevestigingsmiddelen kunnen doorboren en er doorheen kunnen vliegen.**
19. **Bedien nooit op hetzelfde moment de trekker-schakelaar en de contactschoen tot u er klaar voor bent om een bevestigingsmiddel aan te brengen in het werkstuk. Laat het werkstuk de contactschoen indrukken. Doe de werking van het apparaat niet teniet door de contactschoen vast te zetten of met de hand ingedrukt te**

houden.

20. **Knoei nooit aan de contactschoen. Controleer de contactschoen regelmatig op correcte werking.**
21. **Haal de bevestigingsmiddelen altijd uit het gereedschap wanneer u het niet gebruikt.**
22. **Leg geen magneten of soortgelijke magnetische apparaten dicht bij het gereedschap. Dit kan de magnetische sensor in het gereedschap hinderen.**

BEWAAR DEZE VOORSCHRIFTEN.

⚠WAARSCHUWING: Laat u NIET misleiden door een vals gevoel van comfort en bekendheid met het gereedschap (na veelvuldig gebruik) en neem alle veiligheidsvoorschriften van het betreffende gereedschap altijd strikt in acht. **VERKEERD GEBRUIK** of het niet naleven van de veiligheidsvoorschriften in deze gebruiksaanwijzing kan leiden tot ernstig letsel.

Belangrijke veiligheidsinstructies voor een accu

1. **Lees alle voorschriften en waarschuwingen op (1) de acculader, (2) de accu, en (3) het product waarvoor de accu wordt gebruikt, alvorens de accu in gebruik te nemen.**
2. **Haal de accu niet uit elkaar en saboteer hem niet. Dit kan leiden tot brand, buitensporige hitte of een explosie.**
3. **Als de gebruikstijd van een opgeladen accu aanzienlijk korter is geworden, moet u het gebruik ervan onmiddellijk stopzetten. Voortgezet gebruik kan oververhitting, brandwonden en zelfs een ontploffing veroorzaken.**
4. **Als elektrolyt in uw ogen is terechtgekomen, spoelt u uw ogen met schoon water en roept u onmiddellijk de hulp van een dokter in. Elektrolyt in de ogen kan blindheid veroorzaken.**
5. **Vorkom kortsluiting van de accu:**
 - (1) **Raak de accuklemmen nooit aan met een geleidend materiaal.**
 - (2) **Bewaar de accu niet in een bak waarin andere metalen voorwerpen zoals spijkers, munten e.d. worden bewaard.**
 - (3) **Stel de accu niet bloot aan water of regen. Kortsluiting van de accu kan oorzaak zijn van een grote stroomafgifte, oververhitting, brandwonden, en zelfs defecten.**
6. **Bewaar en gebruik het gereedschap en de accu niet op plaatsen waar de temperatuur kan oplopen tot 50 °C of hoger.**
7. **Werp de accu nooit in het vuur, ook niet wanneer hij zwaar beschadigd of volledig versleten is. De accu kan ontploffen in het vuur.**
8. **Laat de accu niet vallen, sla er geen spijker in, snijd er niet in, gooi er niet mee en stoot hem niet tegen een hard voorwerp. Dergelijke handelingen kunnen leiden tot brand, buitensporige hitte of een explosie.**

9. **Gebruik nooit een beschadigde accu.**
10. **De bijgeleverde lithium-ionbatterijen zijn onderhevig aan de vereisten in de wetgeving omtrent gevaarlijke stoffen.**

Voor commercieel transport en dergelijke door derden en transporteurs moeten speciale vereisten ten aanzien van verpakking en etikettering worden nageleefd.

Als voorbereiding van het artikel dat wordt getransporteerd is het noodzakelijk een expert op het gebied van gevaarlijke stoffen te raadplegen. Houd u tevens aan mogelijk strengere nationale regelgeving.

Blootliggende contactpunten moeten worden afgedekt met tape en de accu moet zodanig worden verpakt dat deze niet kan bewegen in de verpakking.

11. **Wanneer u de accu wilt weggooiën, verwijdert u de accu vanaf het gereedschap en gooit u hem op een veilige manier weg. Volg bij het weggooiën van de accu de plaatselijke voorschriften.**
12. **Gebruik de accu's uitsluitend met de gereedschappen die door Makita zijn aanbevolen.** Als de accu's worden aangebracht in niet-compatibele gereedschappen, kan dat leiden tot brand, buitensporige warmteontwikkeling, een explosie of lekkage van elektrolyt.
13. **Als u het gereedschap gedurende een lange tijd niet denkt te gaan gebruiken, moet de accu vanaf het gereedschap worden verwijderd.**
14. **Tijdens en na gebruik, kan de accu heet worden waardoor brandwonden of koude brandwonden kunnen worden veroorzaakt. Wees voorzichtig bij het hanteren van een hete accu.**
15. **Raak de aansluitpunten van het gereedschap niet onmiddellijk na gebruik aan omdat deze heet genoeg kunnen zijn om brandwonden te veroorzaken.**
16. **Zorg ervoor dat geen steenslag, stof of grond vast komt te zitten op/in de aansluitpunten, openingen en groeven van de accu.** Hierdoor kan oververhitting, brand, een barst en een storing in het gereedschap of de accu ontstaan waardoor brandwonden of persoonlijk letsel kunnen ontstaan.
17. **Behalve indien gebruik van het gereedschap is toegestaan in de buurt van hoogspanningsleidingen, mag u de accu niet gebruiken in de buurt van een hoogspanningsleiding.** Dit kan leiden tot een storing of een defect van het gereedschap of de accu.
18. **Houd de accu uit de buurt van kinderen.**

BEWAAR DEZE INSTRUCTIES.

⚠ LET OP: Gebruik uitsluitend originele Makita accu's. Het gebruik van niet-originele accu's, of accu's die zijn gewijzigd, kan ertoe leiden dat de accu ontploft en brand, persoonlijk letsel en schade veroorzaakt. Ook vervalt daarmee de garantie van Makita op het gereedschap en de lader van Makita.

KENNISGEVING: Makita is niet verantwoordelijk voor enig ongeval voortvloeiend uit het gebruik van niet-originele Makita-accu's of accu's die zijn gewijzigd. Originele Makita-accu's zijn streng gecontroleerd op compatibiliteit met Makita-gereedschappen en -acculaders, en voldoen aan de toepasselijke regelgeving en veiligheidsnormen.

Tips voor een maximale levensduur van de accu

1. **Laad de accu op voordat hij volledig ontladen is. Stop het gebruik van het gereedschap en laad de accu op telkens wanneer u vaststelt dat het vermogen van het gereedschap is afgenomen.**
2. **Laad een volledig opgeladen accu nooit opnieuw op. Te lang opladen verkort de levensduur van de accu.**
3. **Laad de accu op bij een omgevingstemperatuur tussen 10 °C en 40 °C. Laat een warme accu afkoelen alvorens hem op te laden.**
4. **Als de accu niet wordt gebruikt, verwijdert u hem vanaf het gereedschap of de lader.**
5. **Laad de accu op als u deze gedurende een lange tijd (meer dan zes maanden) niet gaat gebruiken.**

BESCHRIJVING VAN DE FUNCTIES

⚠ LET OP: Zorg altijd dat het gereedschap is uitgeschakeld en de accu ervan is verwijderd alvorens de functies op het gereedschap af te stellen of te controleren.

De accu aanbrengen en verwijderen

⚠ LET OP: Schakel het gereedschap altijd uit voordat u de accu aanbrengt of verwijdert.

⚠ LET OP: Houd het gereedschap en de accu stevig vast tijdens het aanbrengen of verwijderen van de accu. Als u het gereedschap en de accu niet stevig vasthoudt, kunnen deze uit uw handen glijpen en het gereedschap of de accu beschadigen, of kan persoonlijk letsel worden veroorzaakt.

Om de accu aan te brengen lijnt u de lip op de accu uit met de groef in de behuizing en duwt u de accu op zijn plaats. Steek de accu zo ver mogelijk in het gereedschap tot u een klikgeluid hoort. Wanneer het rode deel zichtbaar is, zoals aangegeven in de afbeelding, is de accu niet geheel vergrendeld.

Om de accu te verwijderen verschuift u de knop aan de voorkant van de accu en schuift u tegelijkertijd de accu uit het gereedschap.

► **Fig.1:** 1. Rood deel 2. Knop 3. Accu

⚠ LET OP: Breng de accu altijd helemaal aan totdat het rode deel niet meer zichtbaar is. Als u dit niet doet, kan de accu per ongeluk uit het gereedschap vallen en u of anderen in uw omgeving verwonden.

⚠ LET OP: Breng de accu niet met kracht aan. Als de accu niet gemakkelijk in het gereedschap kan worden geschoven, wordt deze niet goed aangebracht.

De resterende acculading controleren

Alleen voor accu's met indicatorlampjes

Druk op de testknop op de accu om de resterende acculading te zien. De indicatorlampjes branden gedurende enkele seconden.

► **Fig.2:** 1. Indicatorlampjes 2. Testknop

Indicatorlampjes			Resterende acculading
Brandt	Uit	Knippert	
■	□	▩	75% tot 100%
■	■	■	50% tot 75%
■	■	□	25% tot 50%
■	□	□	0% tot 25%
▩	□	□	Laad de accu op.
■	■	□	Er kan een storing zijn opgetreden in de accu.
□	□	■	

OPMERKING: Afhankelijk van de gebruiksomstandigheden en de omgevingstemperatuur, is het mogelijk dat de aangegeven acculading verschilt van de werkelijke acculading.

OPMERKING: Het eerste (meest linker) indicatorlampje knippert wanneer het accubeveiligingssysteem in werking is getreden.

Gereedschap-/accubeveiligingssysteem

Het gereedschap is uitgerust met een gereedschap-/accubeveiligingssysteem. Dit systeem kan automatisch de stroomtoevoer naar de motor afsluiten om de levensduur van het gereedschap en de accu te verlengen. Het gereedschap zal tijdens gebruik automatisch stoppen wanneer het gereedschap of de accu zich in een van de volgende omstandigheden bevindt: Onder bepaalde omstandigheden gaan de indicatorlampjes branden.

► **Fig.3:** 1. Lamp 2. Aan-uitlamp/Functie-indicator

OPMERKING: De uitvoering van de schakelaar verschilt afhankelijk van waar u woont.

Aanduiding van de beschermstatus

Lamp		Aan-uitlamp/ Functie-indicator		Status
Brandt	Knippert	Brandt	Knippert	
■	▩	■	▩	Overbelasting
▩	▩	▩	▩	

Overbelastingsbeveiliging

Als het gereedschap/de accu wordt bediend op een manier waardoor een abnormaal hoge stroom wordt getrokken, stopt het gereedschap automatisch. Schakel in die situatie het gereedschap uit en stop het gebruik dat ertoe leidde dat het gereedschap overbelast raakte. Schakel daarna het gereedschap in om het weer te starten.

Oververhittingsbeveiliging

Wanneer het gereedschap/de accu oververhit is, stopt het gereedschap automatisch. In die situatie laat u het gereedschap eerst afkoelen voordat u het gereedschap opnieuw inschakelt.

Beveiliging tegen te ver ontladen

Als de acculading laag is, stopt het gereedschap automatisch. Als het gereedschap niet werkt, ook niet wanneer de schakelaars worden bediend, verwijdert u de accu(s) vanaf het gereedschap en laadt u de accu(s) op.

Beveiliging tegen andere oorzaken

Het beveiligingssysteem is ook ontworpen voor andere oorzaken die het gereedschap kunnen beschadigen, en zorgt ervoor dat het gereedschap automatisch stopt. Voer alle volgende stappen uit om de oorzaken op te heffen, wanneer het gereedschap tijdelijk is onderbroken of tijdens het gebruik is gestopt.

1. Verzekert u ervan dat alle schakelaars in de uitstand staan en schakel vervolgens het gereedschap in om het weer te starten.
2. Laad de accu(s) op of vervang hem/ze door (een) opgeladen accu(s).
3. Laat het gereedschap en de accu(s) afkoelen.

Als geen verbetering optreedt nadat het beveiligingssysteem is gereset, neemt u contact op met uw lokale Makita-servicecentrum.

In- en uitschakelen

⚠ LET OP: Alvorens de accu in het gereedschap te plaatsen, moet u altijd controleren of de trekkerschakelaar goed werkt en bij het loslaten terugkeert naar de stand "OFF".

Om het gereedschap in te schakelen, houdt u de aan-uitknop ingedrukt totdat de aan-uitlamp gaat branden.

Om het gereedschap uit te schakelen, houdt u de aan-uitknop ingedrukt totdat de aan-uitlamp uit gaat.

OPMERKING: De uitvoering van de schakelaar verschilt afhankelijk van waar u woont.

► **Fig.4:** 1. Aan-uitknop 2. Aan-uitlamp

OPMERKING: Het gereedschap kan niet worden ingeschakeld wanneer de trekkerschakelaar wordt ingeknepen of de contactschoen op het werkstuk wordt gedrukt. Verzeker u ervan dat de trekkerschakelaar is losgelaten en de contactschoen het werkstuk niet raakt voordat u het gereedschap inschakelt.

OPMERKING: Het gereedschap kan niet worden uitgeschakeld terwijl bevestigingsmiddelen worden geschoten.

OPMERKING: De aan-uitknop wordt automatisch uitgeschakeld wanneer het gereedschap gedurende een lange tijd niet wordt bediend.




De bedieningsfunctie kiezen


Afhankelijk van het land

OPMERKING: In sommige landen of gebieden is alleen de bedieningsfunctie voor enkelvoudig schieten beschikbaar. Het ontwerp van de schakelaar verschilt afhankelijk van het gebied waarin u woont.

Op dit gereedschap kan de bedieningsfunctie worden gekozen. Houd de bedieningsfunctie-keuzeknop kort ingedrukt om de gewenste bedieningsfunctie te kiezen.

► **Fig.5:** 1. Bedieningsfunctie-keuzeknop
2. Opeenvolgende-bedieningsfunctie
3. Continue-bedieningsfunctie

Keuzeknop	Bedieningsfunctie	Eigenschap
	Opeenvolgende bediening	Schiet één bevestigingsmiddel in één opeenvolgende bediening. Dit is geschikt om een bevestigingsmiddel voorzichtig en nauwkeurig te schieten en handig wanneer u een bevestigingsmiddel exact wilt plaatsen.
 	Continue bediening	Enkelvoudig of ononderbroken schieten is mogelijk. Dit verdient de voorkeur wanneer hoogproductief schieten gewenst is.

 : Niet beschikbaar in sommige landen en regio's.

OPMERKING: De bedieningsfunctie kan niet worden veranderd wanneer de trekkerschakelaar wordt ingeknepen of de contactschoen op het werkstuk wordt gedrukt.

De schietdiepte instellen

WAARSCHUWING: Zorg er altijd voor dat uw vingers niet zijn geplatst op de trekkerschakelaar of de contactschoen en dat de accu is verwijderd voordat u de schietdiepte instelt.

Draai de diepte-instelknop om de schietdiepte in te stellen. De schietdiepte neemt toe wanneer u de diepte-instelknop in de richting A draait, en neemt af wanneer u hem in de richting B draait, zoals aangegeven in de afbeelding. Het instelbereik van de schietdiepte is 8,0 mm.

► **Fig.6:** 1. Diepte-instelknop

KENNISGEVING: Draai de diepte-instelknop niet te ver omdat de diepte-instelknop dan vast kan komen te zitten.

Stel de schietdiepte naar wens in.

► **Fig.7:** 1. Te diep 2. Vlak 3. Te ondiep

De lamp inschakelen

LET OP: Kijk niet direct in het lamplicht of in de lichtbron.

Knijp de trekkerschakelaar in of druk de contactschoen tegen het werkstuk om de lamp in te schakelen. De lamp blijft branden zo lang de trekkerschakelaar ingeknepen wordt gehouden of de contactschoen tegen het werkstuk wordt gedrukt. De lamp gaat uit enkele seconden nadat de trekkerschakelaar is losgelaten of de contactschoen van het werkstuk is gehaald.

► **Fig.8:** 1. Trekkerschakelaar 2. Contactschoen
3. Lamp

KENNISGEVING: Gebruik een droge doek om vuil van de lens van de lamp af te vegen. Wees voorzichtig dat u de lens van de lamp niet bekrast omdat dan de verlichting minder wordt.

KENNISGEVING: Wanneer het gereedschap oververhit is, knippert de lamp. Laat in dat geval de trekkerschakelaar los en haal de contactschoen van het werkstuk, en laat het gereedschap/de accu afkoelen voordat u deze weer gebruikt.

OPMERKING: Het gereedschap schiet mogelijk niet wanneer de acculading laag is geworden, ondanks dat de lamp nog brand. In dat geval laadt u de accu op.

MONTAGE

LET OP: Zorg altijd dat het gereedschap is uitgeschakeld en de accu ervan is verwijderd alvorens enig werk aan het gereedschap uit te voeren.

Bevestigingsmiddel laden/ verwijderen

⚠ LET OP: Verzeker u er altijd van dat de accu is verwijderd voordat u bevestigingsmiddel laadt. Onbedoeld schieten kan resulteren in persoonlijk letsel en beschadiging aan eigendommen.

⚠ LET OP: Schuif niet abrupt met de schuif van een nagelpistool dat is geladen met bevestigingsmiddelen. Als u per ongeluk bevestigingsmiddelen laat vallen, met name wanneer u op grote hoogte werkt, kan dat leiden tot persoonlijk letsel.

⚠ LET OP: Laad de bevestigingsmiddelen in de juiste richting. Door in de verkeerde richting te laden, kan voortijdige slijtage van de stoter en beschadiging van andere onderdelen worden veroorzaakt.

KENNISGEVING: Gebruik geen vervormde bevestigingsmiddelen of strips bevestigingsmiddelen. Gebruik bevestigingsmiddelen die in deze gebruiksaanwijzing worden aangegeven. Als u andere bevestigingsmiddelen gebruikt dan die worden aangegeven, kunnen bevestigingsmiddelen vastlopen en kan een storing optreden.

1. Verwijder de accu.
 2. Druk tegen de hendel en open de schuif van het magazijn.
- Fig.9: 1. Hendel 2. Schuif 3. Magazijn

3. Plaats een strip bevestigingsmiddelen zodanig dat de punten van de bevestigingsmiddelen tussen de magazijnplaat en het magazijn liggen, en schuif de strip bevestigingsmiddelen in de richting van de stotergeleider.

- Fig.10: 1. Strip bevestigingsmiddelen 2. Magazijnplaat 3. Magazijn 4. Stotergeleider

4. Zet de schuif terug in zijn oorspronkelijke stand totdat de hendel hem vergrendelt.

Om de bevestigingsmiddelen te verwijderen, drukt u op de hendel en schuift u de schuif open. Haal de bevestigingsmiddelen uit het magazijn.

Neusadapter

⚠ LET OP: Verzeker u er altijd van dat uw vinger niet op de trekkerschakelaar of de contactschoen is geplaatst, verwijder alle bevestigingsmiddelen die nog in het magazijn zitten en verwijder de accu voordat u de neusadapter aanbrengt of verwijdt.

Wanneer u bevestigingsmiddelen schiet in een materiaal met een oppervlak dat snel beschadigd raakt, brengt u de neusadapter aan op de contactschoen.

De neusadapter aanbrengen

Plaats de neusadapter op de contactschoen. Verzeker u ervan dat de neusadapter perfect past, zoals aangegeven.

- Fig.11: 1. Neusadapter 2. Contactschoen

De neusadapter verwijderen

De neusadapter kan met de hand worden verwijderd.

OPMERKING: Als u de neusadapter niet met de hand kunt verwijderen, steekt u een platkopschroevendraaier tussen de neusadapter en de contactschoen om de neusadapter te verwijderen.

- Fig.12: 1. Neusadapter 2. Contactschoen 3. Platkopschroevendraaier

OPMERKING: U kunt de neusadapter op de houder bewaren, zoals aangegeven in de afbeelding, zodat hij niet kwijtraakt.

- Fig.13: 1. Neusadapter 2. Houder

Haak

⚠ WAARSCHUWING: Wees voorzichtig dat u de haak niet overbelast met een te hoog gewicht. Anders kan door onregelmatige overbelasting het gereedschap beschadigd raken wat kan leiden tot persoonlijk letsel.

⚠ LET OP: Hang de haak niet aan uw broekriem. Als het gereedschap valt doordat de haak per ongeluk van zijn plaats losraakt, kunnen per ongeluk bevestigingsmiddelen worden geschoten wat kan leiden tot persoonlijk letsel.

- Fig.14

⚠ LET OP: Als u de haak aanbrengt, bevestigt u deze altijd stevig met de schroef. Als u dit niet doet, kan de haak losraken en tot persoonlijk letsel leiden.

⚠ LET OP: Gebruik de ophang/bevestigingsonderdelen uitsluitend waarvoor ze bedoeld zijn. Het gebruik voor onbedoelde doeleinden kan een ongeval of persoonlijk letsel veroorzaken.

⚠ LET OP: Verzeker u ervan dat het gereedschap goed hangt voordat u het loslaat. Onvoldoende goed of ongebalanceerd ophangen kan leiden tot eraf vallen en persoonlijk letsel.

De haak is handig om het gereedschap tijdelijk op te hangen. Hang het gereedschap met behulp van de haak aan een gereedschapsbord, stang of muur.

De haak kan aan beide kanten van het gereedschap worden aangebracht.

Om de haak te bevestigen, steekt u deze in een groef in een zijkant van de behuizing van het gereedschap en zet u hem vast met behulp van de schroef, zoals aangegeven in de afbeelding. Om hem te verwijderen, draait u de schroef los en verwijdt u de haak.

- Fig.15: 1. Gleuf 2. Haak 3. Schroef

BEDIENING

Het veiligheidssysteem testen

⚠WAARSCHUWING: Controleer voor gebruik of alle veiligheidssystemen goed werken. Als u dat niet doet, kan dit leiden tot persoonlijk letsel.

- Fig.16: 1. Trekkerschakelaar 2. Contactschoen
3. Magazijn 4. Hendel

Test vóór gebruik het veiligheidssysteem als volgt op een mogelijke storing of defect.

1. Verwijder de accu vanaf het gereedschap. Verwijder vervolgens alle bevestigingsmiddelen achtergebleven in het magazijn.
2. Breng de accu aan en schakel het gereedschap in.
3. Knijp de trekkerschakelaar in zonder de contactschoen tegen het werkstuk te drukken.
4. Open het magazijn en houd het open. Druk vervolgens de contactschoen tegen het werkstuk zonder de trekkerschakelaar in te knijpen.

Als het gereedschap werkt in de hierboven beschreven stappen 3 en 4, werkt het beveiligingssysteem niet goed. Stop onmiddellijk met het gebruik van het gereedschap en vraag uw plaatselijke Makita-servicecentrum om hulp.

Behandelen van de bevestigingsmiddelen

Nagels

Wees voorzichtig bij het hanteren van de nagels en de doos ervan. Als de nagels grof behandeld worden, kunnen ze vervormd worden of kan de verbinding tussen de nagels kapot gaan waardoor een slechte nageaanvoer ontstaat.

KENNISGEVING: Voorkom dat nagels worden opgeslagen in een zeer vochtige of warme ruimte of op een plek die is blootgesteld aan direct zonlicht.

- Fig.17

Bevestigingsmiddelen schieten

⚠WAARSCHUWING: Houd uw gezicht uit de buurt van het gereedschap wanneer u het gereedschap bedient. Als u dat niet doet, kan dit leiden tot letsel.

⚠WAARSCHUWING: Gebruik dit gereedschap niet voor het bevestigen van elektriciteitskabels. Dit gereedschap is niet ontworpen voor de installatie van elektriciteitskabels en kan de isolatie van de elektriciteitskabels beschadigen en hierdoor elektrische schokken of brandgevaar veroorzaken.

⚠WAARSCHUWING: Blijf de contactschoen stevig tegen het materiaal drukken totdat de nagel volledig in het werkstuk verdwijnt. Onbedoeld schieten kan leiden tot persoonlijk letsel.

⚠LET OP: Houd het gereedschap stevig vast tijdens gebruik.

⚠LET OP: Schiet geen bevestigingsmiddelen in hard materiaal, zoals metaal en dergelijke. Als het bevestigingsmiddel niet in het materiaal kan binnendringen, kan het gereedschap een terugslag krijgen in uw richting waardoor letsel kan worden veroorzaakt.

KENNISGEVING: Het gereedschap begint niet met bevestigen als gedurende vijf seconden of langer geen bediening heeft plaatsgevonden terwijl alleen de trekkerschakelaar wordt ingeknepen of de contactschoen tegen het werkstuk wordt gedrukt. Laat de trekkerschakelaar los of haal de contactschoen van het werkstuk af en plaats het gereedschap vervolgens terug op het werkstuk om het bevestigen te hervatten.

OPMERKING: Als u gedurende een lange tijd ononderbroken nagels schiet, wordt de uitlaatlucht heet als gevolg van de hete motor.

Het gereedschap heeft twee bedieningsfuncties voor schieten: opeenvolgend schieten en herhaaldelijk schieten.

OPMERKING: In sommige landen of gebieden is alleen de bedieningsfunctie voor enkelvoudig schieten (opeenvolgend schieten) beschikbaar. Het ontwerp van de schakelaar verschilt afhankelijk van het gebied waarin u woont.

Opeenvolgende bediening

In deze functie kunt u één bevestigingsmiddel schieten met elke opeenvolgende bediening. De contactschoen op het werkstuk drukken en de trekkerschakelaar inknijpen moet in een bepaalde volgorde worden uitgevoerd om het gereedschap te laten werken. Laat de bedieningsorganen los en bedien ze opnieuw om het volgende bevestigingsmiddel te schieten.

1. Houd de aan-uitknop ingedrukt om het gereedschap in te schakelen.
2. Verzeker u ervan dat de lamp van de opeenvolgende-bedieningsfunctie brandt.

- Fig.18: 1. Aan-uitknop 2. Lamp van de opeenvolgende-bedieningsfunctie

3. Druk de contactschoen vlak op het werkstuk.

► **Fig.19:** 1. Contactschoen

4. Knijp de trekkerschakelaar helemaal in om een bevestigingsmiddel te schieten.

► **Fig.20:** 1. Trekkerschakelaar

5. Haal uw vinger van de trekkerschakelaar af. Til daarna de contactschoen van het werkstuk af.

Om het volgende bevestigingsmiddel te schieten, herhaalt u de stappen 3 tot en met 5 in dezelfde volgorde.

Continue bediening

Afhankelijk van het land

In deze functie kunt u kiezen uit continu en enkelvoudig schieten door de trekker herhaaldelijk te bedienen.

De contactschoen op het werkstuk drukken en de trekkerschakelaar inknippen mag in een willekeurige volgorde worden uitgevoerd om het gereedschap te laten werken. Haal de contactschoen van het werkstuk af en druk hem er opnieuw op om het volgende bevestigingsmiddel te schieten.

Voor enkelvoudig schieten

1. Houd de aan-uitknop ingedrukt om het gereedschap in te schakelen.

2. Houd de bedieningsfunctie-keuzeknop kort ingedrukt om de continue-bedieningsfunctie te kiezen.

De lamp voor de continue-bedieningsfunctie brandt.

► **Fig.21:** 1. Bedieningsfunctie-keuzeknop 2. Lamp van de continue-bedieningsfunctie

3. Druk de contactschoen vlak op het werkstuk.

4. Knijp de trekkerschakelaar helemaal in om een bevestigingsmiddel te schieten.

5. Haal uw vinger van de trekkerschakelaar af. Til daarna de contactschoen van het werkstuk af.

Om het volgende bevestigingsmiddel te schieten, herhaalt u de stappen 3 tot en met 5 in dezelfde volgorde.

Voor onderbroken schieten

1. Houd de aan-uitknop ingedrukt om het gereedschap in te schakelen.

2. Houd de bedieningsfunctie-keuzeknop kort ingedrukt om de continue-bedieningsfunctie te kiezen.

De lamp voor de continue-bedieningsfunctie brandt.

3. Knijp de trekkerschakelaar in.

► **Fig.22:** 1. Trekkerschakelaar

4. Druk de contactschoen vlak op het materiaal om een bevestigingsmiddel te schieten.

5. Verplaats het gereedschap met ingeknepen trekkerschakelaar naar de volgende schietlocatie en druk de contactschoen vlak op het materiaal om het volgende bevestigingsmiddel te schieten.

► **Fig.23:** 1. Trekkerschakelaar 2. Contactschoen

Droogschietpreventiemechanisme

Wanneer het resterende aantal bevestigingsmiddelen in het magazijn is afgenomen tot 5 - 7 stuks, kan het gereedschap niet meer worden bediend en wordt geen bevestigingsmiddel meer geschoten. Plaats een nieuwe strip bevestigingsmiddelen in het magazijn voordat u

het gereedschap weer bedient.

De resterende bevestigingsmiddelen controleren

U kunt het aantal resterende bevestigingsmiddelen controleren via het kijkvenster.

De indicator beweegt in de richting van de schietmond wanneer het aantal resterende bevestigingsmiddelen kleiner wordt.

► **Fig.24:** 1. Kijkvenster 2. Indicator

Vastgelopen bevestigingsmiddelen verwijderen

⚠WAARSCHUWING: Verzeker u altijd ervan dat de accu en bevestigingsmiddelen zijn verwijderd voordat u vastgelopen bevestigingsmiddelen verwijdert.

⚠WAARSCHUWING: Duw niet met grote kracht tegen de stoter. Sla niet tegen de stoter of bevestigingsmiddelen met enig handgereedschap om een vastgelopen bevestigingsmiddel te verwijderen. Denk eraan dat het gereedschap perslucht bevat en de druk inwendig wordt gehandhaafd. Als u de veiligheidsvoorzorgsmaatregelen in de gebruiksaanwijzing niet volgt, kan dit leiden tot ernstig letsel.

⚠WAARSCHUWING: Richt het gereedschap nooit op uzelf of andere personen in de buurt tijdens het verwijderen van een vastgelopen bevestigingsmiddel. Als u zich hier niet aan houdt, bestaat het risico van letsel als gevolg van per ongeluk schieten aangezien het gereedschap perslucht bevat in een door de fabriek afgesloten ruimte.

⚠LET OP: Verwijder vastgelopen bevestigingsmiddelen niet met blote handen. De bevestigingsmiddelen kunnen uit het magazijn springen en letsel veroorzaken.

⚠LET OP: Als vastlopen veelvuldig voorkomt of het bevestigingsmiddel moeilijk te verwijderen is, neemt u contact op met uw plaatselijke Makita-servicecentrum.

⚠LET OP: Verzeker u ervan de vergrendeling te vergrendelen nadat u vastgelopen bevestigingsmiddelen hebt verwijderd.

Wanneer een bevestigingsmiddel vastloopt onderzoekt u nauwkeurig de toevoer- en schieteenheid voor bevestigingsmiddelen. Het vastlopen wordt doorgaans veroorzaakt door bevestigingsmiddelen die klem komen te zitten tussen de stoter en het achterste deel van de stotergeleider.

Om een vastgelopen bevestigingsmiddel te verwijderen, ontgrendelt u de vergrendeling en opent u de stotergeleider. Verwijder de vastgelopen bevestigingsmiddelen en vergrendel de vergrendeling.

► **Fig.25:** 1. Vergrendeling 2. Achterste deel van de stotergeleider 3. Stotergeleider

ONDERHOUD

⚠ WAARSCHUWING: Demonteer dit gereedschap niet. Dit gereedschap bevat perslucht en demontage kan leiden tot ernstig letsel.



⚠ LET OP: Zorg altijd dat het gereedschap is uitgeschakeld en de accu ervan is verwijderd alvorens te beginnen met onderhoud of inspectie.

KENNISGEVING: Gebruik nooit benzine, wasbenzine, thinner, alcohol en dergelijke. Hierdoor kunnen verkleuring, vervormingen en barsten worden veroorzaakt.

Om de VEILIGHEID en BETROUWBAARHEID van het gereedschap te handhaven, dienen alle reparaties, onderhoud of afstellingen te worden uitgevoerd bij een erkend Makita-servicecentrum of de Makita-fabriek, en altijd met gebruik van Makita-ervangingsonderdelen.

De stand van de stoter initialiseren

Nadat een bevestigingsmiddel is vastgelopen of wanneer de acculading bijna op is bevindt de stoter zich mogelijk niet correct boven het bevestigingsmiddel dat als volgende zal worden geschoten. Voer daarom altijd de initialisatiestappen uit voordat u het gereedschap weer gebruikt.

1. Verwijder de accu vanaf het gereedschap.
2. Verwijder alle bevestigingsmiddelen die nog in het magazijn zitten.
3. Kijk naar de stand van de stoter.

Als u de punt van de stoter buiten de stotergeleider kunt zien, kan de contactschoen niet correct worden bediend tijdens de initialisatie.

► **Fig.26:** 1. Stoter 2. Stotergeleider

Draai de diepte-instelknop naar de minst diepe stand zodat de contactschoen correct werkt.

► **Fig.27:** 1. Diepte-instelknop

4. Breng de accu aan en schakel het gereedschap in.
5. Open het magazijn en houd het open. Druk de contactschoen vervolgens tegen het materiaal dat kan worden beschadigd.
6. Knijp de trekkerschakelaar helemaal in, terwijl de contactschoen tegen het werkstuk wordt gedrukt, om de stand van de stoter te resetten.

► **Fig.28:** 1. Magazijn 2. Contactschoen
3. Trekkerschakelaar

De stand van de stoter wordt correct geïnitieerd.

7. Verwijder de accu vanaf het gereedschap. Laad de bevestigingsmiddelen weer in het magazijn. Breng de accu weer aan in het gereedschap.

OPTIONELE ACCESSOIRES

⚠ LET OP: Deze accessoires of hulpstukken worden aanbevolen voor gebruik met het Makita gereedschap dat in deze gebruiksaanwijzing is beschreven. Bij gebruik van andere accessoires of hulpstukken bestaat het gevaar van persoonlijke letsel. Gebruik de accessoires of hulpstukken uitsluitend voor hun bestemde doel.

Wenst u meer bijzonderheden over deze accessoires, neem dan contact op met het plaatselijke Makita-servicecentrum.

- Nagels
- Originele Makita accu's en acculaders

OPMERKING: Sommige items op de lijst kunnen zijn inbegrepen in de doos van het gereedschap als standaard toebehoren. Deze kunnen van land tot land verschillen.

ESPECIFICACIONES

Modelo:	DBN501
Tamaño del clavo	18 Ga x 15 / 20 / 25 / 30 / 32 / 35 / 38 / 40 / 45 / 50 mm
Capacidad del cargador	110 unidades
Dimensiones (La x An x A) ^{*1, *2}	246 mm x 96 mm x 301 mm
Tensión nominal	18 V CC
Peso neto	2,7 - 3,0 kg

*1 sin gancho

*2 con BL1820B

NOTA: En estas instrucciones a los clavos se hace referencia como "fijadores" a menos que se especifique de otra forma.

- Debido a nuestro continuado programa de investigación y desarrollo, las especificaciones aquí dadas están sujetas a cambios sin previo aviso.
- Las especificaciones pueden ser diferentes de país a país.
- El valor del peso neto incluye la combinación más liviana y la más pesada del accesorio (o accesorios) y del cartucho (o cartuchos) de batería que se especifican en el manual de instrucciones.

Cartucho de batería y cargador aplicables






Cartucho de batería	BL1815N / BL1820B / BL1830B / BL1840B / BL1850B / BL1860B
Cargador	DC18RC / DC18RD / DC18RE / DC18SD / DC18SE / DC18SF / DC18SH / DC18WC

- Algunos de los cartuchos de batería y cargadores indicados arriba puede que no estén disponibles dependiendo de su región de residencia.

⚠ ADVERTENCIA: Utilice solamente los cartuchos de batería y cargadores listados arriba. La utilización de cualquier otro cartucho de batería y cargador puede ocasionar heridas y/o un incendio.

Símbolos

A continuación se muestran los símbolos que pueden ser utilizados para el equipo. Asegúrese de que entienda su significado antes de utilizar.

	Lea el manual de instrucciones.
	Póngase protección para los ojos.
	Póngase protección para los oídos.
	No utilizar en andamios, escaleras de mano.
	Mantenga los dedos alejados del gatillo cuando no esté clavando fijadores para evitar disparos accidentales.



Sólo para países de la Unión Europea
Debido a la presencia de componentes peligrosos en el equipo, el equipo eléctrico y electrónico, los acumuladores y las baterías desechados pueden tener un impacto negativo para el medioambiente y la salud humana.

¡No tire los aparatos eléctricos y electrónicos ni las baterías junto con los residuos domésticos!

De conformidad con las Directivas Europeas sobre residuos de aparatos eléctricos y electrónicos y sobre acumuladores y baterías y residuos de acumuladores y baterías, así como la adaptación de las mismas a la ley nacional, el equipo eléctrico, las baterías y los acumuladores desechados deberán ser almacenados por separado y trasladados a un punto distinto de recogida de desechos municipales, que cumpla con los reglamentos sobre protección medioambiental.

Esto se indica mediante el símbolo de cubo de basura tachado colocado en el equipo.

Uso previsto

Esta herramienta ha sido prevista para clavar en trabajos de interiores y trabajos de mobiliario.

Ruido

El nivel de ruido A-ponderado típico determinado de acuerdo con la norma EN60745-2-16:
Nivel de presión sonora (L_{pA}) : 82 dB (A)
Nivel de potencia sonora (L_{WA}) : 93 dB (A)
Error (K) : 3 dB (A)

NOTA: El valor (o los valores) de emisión de ruido declarado ha sido medido de acuerdo con un método de prueba estándar y se puede utilizar para comparar una herramienta con otra.

NOTA: El valor (o valores) de emisión de ruido declarado también se puede utilizar en una valoración preliminar de exposición.

⚠ADVERTENCIA: Póngase protectores para oídos.

⚠ADVERTENCIA: La emisión de ruido durante la utilización real de la herramienta eléctrica puede variar del valor (o valores) total declarado dependiendo de las formas en las que la herramienta sea utilizada.

⚠ADVERTENCIA: Asegúrese de identificar medidas de seguridad para proteger al operario que estén basadas en una estimación de la exposición en las condiciones reales de utilización (teniendo en cuenta todas las partes del ciclo operativo como las veces cuando la herramienta está apagada y cuando está funcionando en vacío además del tiempo de gatillo).

Vibración

El valor total de la vibración determinado de acuerdo con el EN60745-2-16:
Emisión de vibración (a_h) : 2,5 m/s² o menos
Error (K) : 1,5 m/s²

NOTA: El valor (o los valores) total de emisión de vibración declarado ha sido medido de acuerdo con un método de prueba estándar y se puede utilizar para comparar una herramienta con otra.

NOTA: El valor (o los valores) total de emisión de vibración declarado también se puede utilizar en una valoración preliminar de exposición.

⚠ADVERTENCIA: La emisión de vibración durante la utilización real de la herramienta eléctrica puede variar del valor (o valores) total declarado dependiendo de las formas en las que la herramienta sea utilizada.

⚠ADVERTENCIA: Asegúrese de identificar medidas de seguridad para proteger al operario que estén basadas en una estimación de la exposición en las condiciones reales de utilización (teniendo en cuenta todas las partes del ciclo operativo como las veces cuando la herramienta está apagada y cuando está funcionando en vacío además del tiempo de gatillo).

Declaraciones de conformidad

Para países europeos solamente

Las declaraciones de conformidad están incluidas como Anexo A de este manual de instrucciones.

ADVERTENCIAS DE SEGURIDAD

Advertencias de seguridad para herramientas eléctricas en general

⚠ADVERTENCIA Lea todas las advertencias de seguridad, instrucciones, ilustraciones y especificaciones provistas con esta herramienta eléctrica. Si no sigue todas las instrucciones indicadas abajo, podrá resultar en una descarga eléctrica, un incendio y/o heridas graves.

Guarde todas las advertencias e instrucciones para futuras referencias.

El término "herramienta eléctrica" en las advertencias se refiere a su herramienta eléctrica de funcionamiento con conexión a la red eléctrica (con cable) o herramienta eléctrica de funcionamiento a batería (sin cable).

Advertencias de seguridad para la clavadora inalámbrica

1. **Asuma siempre que la herramienta contiene fijadores.** Un manejo imprudente de la clavadora puede resultar en un disparo inesperado de fijadores y heridas personales.
2. **No apunte la herramienta hacia usted o hacia cualquier persona que esté cerca.** Un apretado inesperado del gatillo descargará el fijador causando heridas.
3. **No accione la herramienta a menos que la tenga puesta firmemente contra la pieza de trabajo.** Si la herramienta no está en contacto con la pieza de trabajo, el fijador podrá desviarse de su objetivo.
4. **Desconecte la herramienta de fuente de alimentación cuando el fijador se atasque en la herramienta.** Mientras retira un fijador atascado, la clavadora podrá activarse accidentalmente si está enchufada.
5. **Tenga cuidado mientras retira un fijador atascado.** El mecanismo podrá estar sometido a compresión y el fijador podrá descargarse a la fuerza mientras intenta despejar una condición de atasco.
6. **No utilice esta clavadora para sujetar cables eléctricos.** No ha sido diseñada para la instalación de cables eléctricos y puede dañar el aislante de los cables eléctricos ocasionando una descarga eléctrica o riesgos de incendio.
7. **Póngase siempre gafas de seguridad para**

proteger sus ojos del polvo o heridas con los fijadores.

8. Mantenga las manos y pies alejados del área del orificio de eyección.
9. Retire siempre el cartucho de batería antes de cargar los fijadores, hacer ajustes, inspección, mantenimiento o después de terminar la operación.
10. Antes de la operación, asegúrese de que no haya nadie cerca. No intente nunca clavar los fijadores desde el interior y el exterior de la pared al mismo tiempo. Los fijadores podrán atravesarla y salir disparados, presentando un grave peligro.
11. Observe el suelo donde pisa y mantenga su equilibrio con la herramienta. Asegúrese de que no haya nadie debajo cuando trabaje en lugares altos.
12. No utilice herramientas de clavar fijadores que estén marcadas con el símbolo de "No utilizar en andamios, escaleras" para aplicaciones específicas, por ejemplo:
 - cuando cambiar de un sitio donde está clavando a otro implique la utilización de andamios, escaleras, escaleras de mano, o construcciones como escaleras, por ejemplo, listones de tejado;
 - cerrar cajas o cajones de embalaje;
 - colocar sistemas de seguridad para transporte, por ejemplo, en vehículos o vagones.
13. Compruebe las paredes, techos, suelos, techumbres y por el estilo con cuidado para evitar posibles descargas eléctricas, fugas de gas, explosiones, etc., ocasionadas por grapar en cables con corriente, conductos o tuberías de gas.
14. Utilice solamente los fijadores especificados en este manual. La utilización de otros fijadores podrá ocasionar un mal funcionamiento de la herramienta.
15. No manipule la herramienta o intente utilizarla para algo distinto de clavar fijadores.
16. No utilice la herramienta sin fijadores. Ello acorta la vida de servicio de la herramienta.
17. Detenga inmediatamente las operaciones de clavado si nota algo incorrecto o fuera de lo normal en la herramienta.
18. No clave nunca en ningún material que pueda permitir al fijador atravesarlo y salir despedido como un proyectil.
19. No accione nunca el gatillo interruptor y el elemento de contacto al mismo tiempo hasta esté preparado para clavar en piezas de trabajo. Permita a la pieza de trabajo presionar el elemento de contacto. No anule nunca su función sujetando hacia atrás el elemento de contacto o presionándolo manualmente.
20. No manipule nunca el elemento de contacto. Compruebe el elemento de contacto con frecuencia para ver que funciona debidamente.
21. Retire siempre los fijadores de la herramienta cuando no la esté utilizando.
22. Evite poner imanes o dispositivos magnéticos similares demasiado cerca de la herramienta.

Podría afectar al sensor magnético de la herramienta.

GUARDE ESTAS INSTRUCCIONES.

⚠ADVERTENCIA: NO deje que la comodidad o familiaridad con el producto (a base de utilizarlo repetidamente) sustituya la estricta observancia de las normas de seguridad para el producto en cuestión. El MAL USO o el no seguir las normas de seguridad establecidas en este manual de instrucciones podrá ocasionar heridas personales graves.

Instrucciones de seguridad importantes para el cartucho de batería

1. Antes de utilizar el cartucho de batería, lea todas las instrucciones e indicaciones de precaución sobre (1) el cargador de baterías, (2) la batería, y (3) el producto con el que se utiliza la batería.
2. No desensamble ni manipule el cartucho de batería. Podrá resultar en un incendio, calor excesivo, o una explosión.
3. Si el tiempo de uso se acorta demasiado, cese la operación inmediatamente. Podrá resultar en un riesgo de recalentamiento, posibles quemaduras e incluso una explosión.
4. Si entra electrolito en sus ojos, aclárelos con agua limpia y acuda a un médico inmediatamente. Existe el riesgo de poder perder la vista.
5. No cortocircuite el cartucho de batería:
 - (1) No toque los terminales con ningún material conductor.
 - (2) Evite guardar el cartucho de batería en un cajón junto con otros objetos metálicos, como clavos, monedas, etc.
 - (3) No exponga el cartucho de batería al agua ni a la lluvia.Un cortocircuito en la batería puede producir una gran circulación de corriente, un recalentamiento, posibles quemaduras e incluso una rotura de la misma.
6. No guarde ni utilice la herramienta y el cartucho de batería en lugares donde la temperatura pueda alcanzar o exceder los 50 °C.
7. Nunca incinere el cartucho de batería incluso en el caso de que esté dañado seriamente o ya no sirva en absoluto. El cartucho de batería puede explotar si se tira al fuego.
8. No clave, corte, aplaste, lance, deje caer el cartucho de batería, ni golpee contra un objeto duro el cartucho de batería. Tal conducta podrá resultar en un incendio, calor excesivo, o una explosión.
9. No utilice una batería dañada.
10. Las baterías de litio-ion contenidas están sujetas a los requisitos de la Legislación para Materiales Peligrosos.
Para transportes comerciales, p.ej., por terceras

personas y agentes de transportes, se deberán observar requisitos especiales para el empaquetado y etiquetado.

Para la preparación del artículo que se va a enviar, se requiere consultar con un experto en materiales peligrosos. Por favor, observe también la posibilidad de reglamentos nacionales más detallados.

Cubra con cinta aislante o enmascare los contactos expuestos y empaquete la batería de tal manera que no se pueda mover alrededor dentro del embalaje.

11. **Para desechar el cartucho de batería, retirelo de la herramienta y deséchelo en un lugar seguro. Siga los reglamentos locales referentes al desecho de la batería.**
12. **Utilice las baterías solamente con los productos especificados por Makita.** La instalación de las baterías en productos no compatibles puede resultar en un incendio, calor excesivo, explosión, o fuga de electrolito.
13. **Si la herramienta no va a ser utilizada durante un periodo de tiempo largo, la batería deberá ser retirada de la herramienta.**
14. **Durante y después de la utilización, el cartucho de batería podrá acumular calor, lo cual puede ocasionar quemaduras o quemaduras de baja temperatura. Preste atención al manejo de cartuchos de batería calientes.**
15. **No toque el terminal de la herramienta inmediatamente después de utilizar, dado que puede calentarse lo suficiente como para ocasionar quemaduras.**
16. **No permita que virutas, polvo, o tierra se adhieran dentro de los terminales, orificios, y ranuras del cartucho de batería.** Esto podría ocasionar calentamiento, que coja fuego, reviente y un mal funcionamiento de la herramienta o el cartucho de batería, resultando en quemaduras o heridas personales.
17. **A menos que la herramienta pueda utilizarse cerca de cables eléctricos de alta tensión, no utilice el cartucho de batería cerca de cables eléctricos de alta tensión.** Podrá resultar en un mal funcionamiento o rotura de la herramienta o el cartucho de batería.
18. **Mantenga la batería alejada de los niños.**

GUARDE ESTAS INSTRUCCIONES.

⚠PRECAUCIÓN: Utilice solamente baterías genuinas de Makita. La utilización de baterías no genuinas de Makita, o baterías que han sido alteradas, puede resultar en una explosión de la batería ocasionando incendios, heridas personales y daños. También anulará la garantía de Makita para la herramienta y el cargador de Makita.

AVISO: Makita no se hace responsable de ningún accidente que resulte del uso de baterías Makita no genuinas ni de baterías que hayan sido modificadas. Las baterías Makita genuinas han sido rigurosamente evaluadas para garantizar su compatibilidad con las herramientas y cargadores Makita, de acuerdo con la legislación y los estándares de seguridad aplicables.

Consejos para alargar al máximo la vida de servicio de la batería

1. **Cargue el cartucho de batería antes de que se descargue completamente. Detenga siempre la operación y cargue el cartucho de batería cuando note menos potencia en la herramienta.**
2. **No cargue nunca un cartucho de batería que esté completamente cargado. La sobrecarga acortará la vida de servicio de la batería.**
3. **Cargue el cartucho de batería a temperatura ambiente de 10 °C - 40 °C. Si un cartucho de batería está caliente, déjelo enfriar antes de cargarlo.**
4. **Cuando no esté utilizando el cartucho de batería, retirelo de la herramienta o del cargador.**
5. **Cargue el cartucho de batería si no lo utiliza durante un periodo de tiempo prolongado (más de seis meses).**

DESCRIPCIÓN DEL FUNCIONAMIENTO

⚠PRECAUCIÓN: Asegúrese siempre de que la herramienta está apagada y el cartucho de batería retirado antes de realizar cualquier ajuste o comprobación en la herramienta.

Instalación o extracción del cartucho de batería

⚠PRECAUCIÓN: Apague siempre la herramienta antes de instalar o retirar el cartucho de batería.

⚠PRECAUCIÓN: Sujete la herramienta y el cartucho de batería firmemente cuando instale o retire el cartucho de batería. Si no sujeta la herramienta y el cartucho de batería firmemente podrán caérsele de las manos y resultar en daños a la herramienta y al cartucho de batería y heridas personales.

Para instalar el cartucho de batería, alinee la lengüeta del cartucho de batería con la ranura del alojamiento y deslícelo al interior hasta encajarlo en su sitio. Insértelo por completo hasta que se bloquee en su sitio con un pequeño chasquido. Si puede ver el indicador rojo como se muestra en la figura, no estará bloqueado completamente.

Para retirar el cartucho de batería, deslícelo de la herramienta mientras desliza el botón de la parte frontal del cartucho.

- **Fig.1:** 1. Indicador rojo 2. Botón 3. Cartucho de batería

⚠PRECAUCIÓN: Instale siempre el cartucho de batería completamente hasta que no pueda verse el indicador rojo. En caso contrario, podrá caerse accidentalmente de la herramienta y ocasionarle heridas a usted o a alguien que esté cerca de usted.

⚠PRECAUCIÓN: No instale el cartucho de batería empleando fuerza. Si el cartucho no se desliza al interior fácilmente, será porque no está siendo insertado correctamente.

Modo de indicar la capacidad de batería restante

Solamente para cartuchos de batería con el indicador

Presione el botón de comprobación en el cartucho de batería para indicar la capacidad de batería restante. Las lámparas indicadoras se iluminan durante unos pocos segundos.

- **Fig.2:** 1. Lámparas indicadoras 2. Botón de comprobación

Lámparas indicadoras			Capacidad restante
Iluminada	Apagada	Parpadeando	
■	□	▧	75% a 100%
■	■	■	
■	■	□	50% a 75%
■	□	□	25% a 50%
■	□	□	0% a 25%
▧	□	□	Cargue la batería.
■	■	□	Puede que la batería no esté funcionando bien.
□	□	■	

NOTA: Dependiendo de las condiciones de utilización y de la temperatura ambiente, la indicación podrá variar ligeramente de la capacidad real.

NOTA: La primera lámpara indicadora (extremo izquierdo) parpadeará cuando el sistema de protección de la batería esté funcionando.

Sistema de protección de la herramienta / batería

La herramienta está equipada con un sistema de protección de la herramienta/batería. Este sistema corta automáticamente la alimentación del motor para alargar la vida útil de la herramienta y la batería. La herramienta se detendrá automáticamente durante la operación si la herramienta o la batería es puesta en una de las condiciones siguientes. En algunas condiciones, los

indicadores se iluminan.

- **Fig.3:** 1. Lámpara 2. Indicador de alimentación/modo

NOTA: El diseño del interruptor varía dependiendo de la región de residencia.

Indicación del estado de protección

Lámpara		Indicador de alimentación/modo		Estado
■	▧	■	▧	
■	▧	■	▧	
▧	▧	▧	▧	Sobrecarga
▧	▧	▧	▧	Recalentamiento

Protección contra sobrecarga

Cuando la herramienta/batería sea operada de una manera que le haga absorber una corriente anormalmente alta, la herramienta se detendrá automáticamente. En esta situación, apague la herramienta y detenga la tarea que ocasiona la sobrecarga de la herramienta. Después encienda la herramienta para volver a empezar.

Protección contra el recalentamiento

Cuando la herramienta/batería se recalienta, la herramienta se detiene automáticamente. En esta situación, deje que la herramienta se enfríe antes de encenderla otra vez.

Protección contra descarga excesiva

Cuando la capacidad de batería sea baja, la herramienta se detendrá automáticamente. Si el producto no funciona aun cuando los interruptores sean accionados, retire la batería (o baterías) de la herramienta y cárguela.

Protecciones contra otras causas

También hay un sistema de protección diseñado para otras causas que pueden dañar la herramienta y permite a la herramienta detenerse automáticamente. Realice todos los pasos siguientes para despejar las causas, cuando la herramienta haya sido llevada a una pausa temporal o a una parada en la operación.

1. Asegúrese de que todos los interruptores están en la posición apagada, y después encienda la herramienta otra vez para volver a empezar.
2. Cargue la(s) batería(s) o reemplácela(s) con una batería(s) recargada(s).
3. Deje que la herramienta y la(s) batería(s) se enfríen.

Si no se nota una mejora al restablecer el sistema de protección, póngase en contacto con el centro de servicio Makita local.

Accionamiento del interruptor de alimentación

⚠ PRECAUCIÓN: Antes de insertar el cartucho de batería en la herramienta, compruebe siempre para cerciorarse de que el gatillo interruptor se acciona debidamente y que vuelve a la posición "OFF" cuando lo suelta.

Para encender la herramienta, mantenga presionado el botón de alimentación principal hasta que los indicadores de alimentación se iluminen.

Para apagar la herramienta, mantenga presionado el botón de alimentación principal hasta que el indicador de alimentación se apague.

NOTA: El diseño del interruptor varía dependiendo de la región de residencia.

- **Fig.4:** 1. Botón de alimentación principal
2. Indicador de alimentación

NOTA: La herramienta no se puede encender mientras el gatillo interruptor o el elemento de contacto está accionado. Asegúrese de liberar el gatillo interruptor y el elemento de contacto antes de encender la herramienta.

NOTA: La herramienta no se puede apagar mientras se clavan fijadores.

NOTA: El interruptor de alimentación principal se inhabilitará automáticamente si la herramienta se deja un tiempo prolongado sin atender.



Selección del modo de accionamiento

Específico para cada país

NOTA: En algunas regiones o países solo hay disponible un único modo de clavado. El diseño del interruptor varía en función de la región de su residencia.

La herramienta emplea un gatillo cuyo accionamiento se puede seleccionar. Mantenga presionado brevemente el botón interruptor de modo de accionamiento para seleccionar el modo de accionamiento deseado.

- **Fig.5:** 1. Botón interruptor de modo de accionamiento
2. Modo de accionamiento secuencial
3. Modo de accionamiento por contacto

Interruptor de modo	Modo de accionamiento	Característica
	Accionamiento consecutivo completo	Clave un fijador en una operación secuencial. Apropiado para clavar fijadores con cuidado y precisión y útil cuando se requiere una colocación precisa del fijador.
	Accionamiento por contacto	Se dispone de clavado sencillo o clavado continuo. Preferido cuando se requiere una colocación de fijadores altamente productiva.

 : No disponible en algunas regiones y países.

NOTA: El modo de accionamiento no se puede cambiar a otro mientras el gatillo interruptor o el elemento de contacto está accionado.

Ajuste de la profundidad de clavado

⚠ ADVERTENCIA: Asegúrese siempre de que sus dedos no están puestos en el gatillo interruptor ni en el elemento de contacto y que el cartucho de batería ha sido retirado antes de ajustar la profundidad de clavado.

Gire el ajustador de profundidad para ajustar la profundidad de clavado. La profundidad de clavado se vuelve más profunda a medida que usted gira el ajustador de profundidad en la dirección A, y menos profunda en la dirección B en la figura. El rango del ajuste de profundidad de clavado es de 8,0 mm.

- **Fig.6:** 1. Ajustador de profundidad

AVISO: No gire el ajustador de profundidad demasiado porque se podría atascar.

Ajuste la profundidad de clavado según sea necesario.

- **Fig.7:** 1. Muy profundo
2. A ras
3. Muy poco profundo

Encendido de la lámpara

⚠ PRECAUCIÓN: No mire a la luz ni vea la fuente de luz directamente.

Apriete el gatillo interruptor o accione el elemento de contacto para encender la lámpara. La lámpara seguirá encendida mientras tenga apretado el gatillo interruptor o accionado el elemento de contacto. La lámpara se apagará varios segundos después de liberar el gatillo interruptor y el elemento de contacto.

- **Fig.8:** 1. Gatillo interruptor
2. Elemento de contacto
3. Lámpara

AVISO: Utilice un paño seco para quitar la suciedad de la lente de la lámpara. Tenga cuidado de no rayar la lente de la lámpara, porque podrá disminuir la iluminación.

AVISO: Si la herramienta se recalienta, la lámpara parpadeará. En este caso, libere el gatillo interruptor y el elemento de contacto, y después deje enfriar la herramienta/batería antes de utilizarla otra vez.

NOTA: La herramienta puede que no dispare después de que la potencia de la batería se encuentre baja aunque la lámpara siga encendida. En este caso, cargue el cartucho de batería.

MONTAJE

⚠ PRECAUCIÓN: Asegúrese siempre de que la herramienta está apagada y el cartucho de batería retirado antes de realizar cualquier trabajo en la herramienta.

Carga/descarga de fijadores

⚠PRECAUCIÓN: Asegúrese siempre de que el cartucho de batería ha sido retirado antes de cargar los fijadores. Un disparo involuntario puede ocasionar heridas personales y daños a la propiedad.

⚠PRECAUCIÓN: No deslice bruscamente la puerta deslizante de la clavadora cargada con fijadores. La caída accidental de fijadores, especialmente cuando se está trabajando en lugares altos, puede ocasionar heridas personales.

⚠PRECAUCIÓN: Cargue los fijadores en la dirección correcta. Si los carga en dirección incorrecta podrá ocasionar un desgaste prematuro del impulsor y daños a otras piezas.

AVISO: No utilice fijadores y tiras de fijadores deformados. Utilice los fijadores especificados en este manual. La utilización de fijadores distintos de los especificados podrá ocasionar el atasco de los fijadores y un mal funcionamiento.

1. Retire el cartucho de batería.
2. Presione la palanca y abra la puerta deslizante del cargador.

► Fig.9: 1. Palanca 2. Puerta deslizante 3. Cargador

3. Coloque una tira de fijadores de forma que las puntas de los fijadores estén entre la placa del cargador y el cargador, y deslice la tira de fijadores hacia la guía del impulsor.

► Fig.10: 1. Tira de fijadores 2. Placa del cargador 3. Cargador 4. Guía del impulsor

4. Devuelva la puerta deslizante a la posición original hasta que la palanca la bloquee.

Para retirar los fijadores, presione la palanca y deslice la puerta deslizante. Extraiga los fijadores del cargador.

Adaptador de boca

⚠PRECAUCIÓN: Asegúrese siempre de que sus dedos no están colocados en el gatillo interruptor ni en el elemento de contacto, de retirar todos los fijadores que queden en el cargador y de retirar el cartucho de batería antes de colocar o desmontar el adaptador de boca.

Cuando clave fijadores en material con superficies que se deterioren fácilmente, coloque el adaptador de boca en el elemento de contacto.

Colocación del adaptador de boca

Ponga el adaptador de boca en el elemento de contacto. Asegúrese de que el adaptador de boca encaja perfectamente como se muestra en la ilustración.

► Fig.11: 1. Adaptador de boca 2. Elemento de contacto

Desmontaje del adaptador de boca

El adaptador de boca se puede quitar con la mano.

NOTA: Cuando no pueda retirar el adaptador de boca con la mano, inserte un destornillador de punta plana entre el adaptador de boca y el elemento de contacto y retire el adaptador de boca.

► Fig.12: 1. Adaptador de boca 2. Elemento de contacto 3. Destornillador de punta plana

NOTA: Puede guardar el adaptador de boca en el soporte como se muestra en la figura para evitar que se pierda.

► Fig.13: 1. Adaptador de boca 2. Soporte

Gancho

⚠ADVERTENCIA: Tenga cuidado de no sobrecargar el gancho aplicando demasiada fuerza. De lo contrario, una sobrecarga irregular podrá ocasionar daños a la herramienta y resultar en heridas personales.

⚠PRECAUCIÓN: No cuelgue el gancho en el cinturón. Si la herramienta se cae debido a que el gancho se sale accidentalmente de su sitio, podrá ocasionar un disparo involuntario y resultar en heridas personales.

► Fig.14

⚠PRECAUCIÓN: Cuando instale el gancho, sujételo siempre firmemente con el tornillo. Si no, el gancho podrá caerse de la herramienta y resultar en heridas personales.

⚠PRECAUCIÓN: Utilice las piezas de colgar/montar para los propósitos previstos solamente. La utilización para propósitos no previstos podrá ocasionar un accidente o heridas personales.

⚠PRECAUCIÓN: Asegúrese de colgar la herramienta firmemente antes de soltarla de la mano. Un colgado insuficiente o desequilibrado podrá ocasionar que se caiga y que usted resulte herido.

El gancho resulta útil para colgar la herramienta temporalmente. Cuelgue la herramienta en un bastidor para herramientas, en un riel o en la pared con el gancho.

El gancho se puede instalar en cualquiera de los costados de la herramienta.

Para instalar el gancho, insértelo en la ranura de un cualquiera de los costados de la carcasa de la herramienta y después sujételo con el tornillo como se muestra en la figura. Para retirarlo, afloje el tornillo y después retire el gancho.

► Fig.15: 1. Ranura 2. Gancho 3. Tornillo

OPERACIÓN

Comprobación del sistema de seguridad

⚠️ ADVERTENCIA: Antes de la operación asegúrese de que todos los sistemas de seguridad están en condiciones de funcionamiento. En caso contrario podrán producirse heridas personales.

► **Fig.16:** 1. Gatillo interruptor 2. Elemento de contacto 3. Cargador 4. Palanca

Antes de la operación, pruebe el sistema de seguridad de la siguiente manera por si hay algún posible fallo o mal funcionamiento.

1. Retire el cartucho de batería de la herramienta. Después descargue todos los fijadores que queden en el cargador.
2. Instale el cartucho de batería en la herramienta y enciéndala.
3. Apriete el gatillo interruptor sin tocar contra el material el elemento de contacto.
4. Abra el cargador y manténgalo abierto. Después ponga el elemento de contacto contra el material sin apretar el gatillo interruptor.

Si la herramienta funciona en el caso del paso 3 o 4 descrito arriba, el sistema de seguridad no estará funcionando debidamente. Deje de utilizar la herramienta inmediatamente y pregunte al centro de servicio Makita local.

Manejo de los fijadores

Clavos

Maneje los clavos y sus cajas con cuidado. Si los clavos han sido manejados bruscamente, podrán estar deformados o sus conectores rotos, ocasionando una mala alimentación de clavos.

AVISO: Evite almacenar los clavos en un lugar muy húmedo o cálido o en un lugar expuesto a la luz directa del sol.

► **Fig.17**

Clavado de fijadores

⚠️ ADVERTENCIA: Mantenga la cara alejada de la herramienta cuando la utilice. En caso contrario podrá ocasionar heridas.

⚠️ ADVERTENCIA: No utilice esta herramienta para sujetar cables eléctricos. Esta herramienta no ha sido diseñada para la instalación de cables eléctricos y puede dañar el aislante de los mismos y causar, por esa razón, una descarga eléctrica o riesgos de incendio.

⚠️ ADVERTENCIA: Continúe poniendo el elemento de contacto firmemente sobre el material hasta que el clavo sea clavado completamente. Un disparo involuntario puede ocasionar heridas personales.

⚠️ PRECAUCIÓN: Sujete la herramienta firmemente durante la operación.

⚠️ PRECAUCIÓN: No clave fijadores en materiales duros tales como metal o por el estilo. Si el fijador no puede penetrar el material, la herramienta puede retroceder bruscamente hacia usted y resultar en heridas.

AVISO: La herramienta no comenzará a clavar después de transcurrir cinco segundos sin operar el interruptor mientras únicamente el gatillo interruptor o el elemento de contacto esté siendo accionado. Suelte el gatillo interruptor o separe el elemento de contacto de la pieza de trabajo, y después vuelva a poner la herramienta en posición para reanudar el clavado.

NOTA: Si clava clavos continuamente durante largo tiempo, el aire de escape se volverá caliente debido al calor del motor.

La herramienta emplea dos accionamientos de clavado: accionamiento secuencial completo y accionamiento por contacto.

NOTA: En algunas regiones o países solo hay disponible un único modo de clavado (accionamiento secuencial completo). El diseño del interruptor varía en función de la región de su residencia.

Accionamiento consecutivo completo

En este modo, usted puede clavar un fijador mediante una operación secuencial.

Hay que hacer contacto con la pieza de trabajo y después activar el gatillo en una secuencia específica para accionar la herramienta. Libere y reactive los controles del interruptor en la misma secuencia para continuar clavando fijadores.

1. Mantenga presionado el botón de alimentación principal para encender la herramienta.
2. Asegúrese de que la lámpara de modo accionamiento consecutivo se enciende.

► **Fig.18:** 1. Botón de alimentación principal
2. Lámpara de modo de accionamiento consecutivo

3. Coloque el elemento de contacto horizontalmente sobre el material.

► **Fig.19:** 1. Elemento de contacto

4. Apriete el gatillo interruptor completamente para clavar un fijador.

► **Fig.20:** 1. Gatillo interruptor

5. Suelte el dedo del gatillo interruptor. Después levante el elemento de contacto del material.

Para clavar el siguiente fijador. repita los pasos 3 al 5 en el mismo orden.

Accionamiento por contacto

Específico para cada país

En este modo, puede elegir clavado continuo o sencillo siguiendo cualquier secuencia de la operación del gatillo.

Se puede activar el contacto con la pieza de trabajo y el gatillo en cualquier secuencia para accionar la herramienta. Libere y reactive el contacto con la pieza de trabajo para clavar fijadores continuamente.

Para clavado sencillo

1. Mantenga presionado el botón de alimentación principal para encender la herramienta.

2. Mantenga presionado brevemente el botón interruptor de modo de accionamiento para seleccionar el modo de accionamiento por contacto.

La lámpara de modo de accionamiento por contacto se enciende.

► **Fig.21:** 1. Botón interruptor de modo de accionamiento 2. Lámpara de modo de accionamiento por contacto

3. Coloque el elemento de contacto horizontalmente sobre el material.

4. Apriete el gatillo interruptor completamente para clavar un fijador.

5. Suelte el dedo del gatillo interruptor. Después levante el elemento de contacto del material.

Para clavar el siguiente fijador. repita los pasos 3 al 5 en el mismo orden.

Para clavado continuo

1. Mantenga presionado el botón de alimentación principal para encender la herramienta.

2. Mantenga presionado brevemente el botón interruptor de modo de accionamiento para seleccionar el modo de accionamiento por contacto.

La lámpara de modo de accionamiento por contacto se enciende.

3. Apriete el gatillo interruptor.

► **Fig.22:** 1. Gatillo interruptor

4. Coloque el elemento de contacto plano sobre el material para clavar un fijador.

5. Mueva la herramienta al área siguiente con el gatillo interruptor apretado, y coloque el elemento de contacto plano sobre el material para clavar fijadores posteriores.

► **Fig.23:** 1. Gatillo interruptor 2. Elemento de contacto

Mecanismo de antidisparo en seco

Cuando en el cargador solo queden entre 5 - 7 unidades de fijadores, el interruptor dejará de poderse accionar y la herramienta dejará de disparar. Inserte una tira de fijadores nueva en el cargador antes de reanudar la operación.

Comprobación de los fijadores restantes

Puede comprobar la cantidad de fijadores que quedan a través de la ventanilla de visión.

El indicador se mueve hacia la abertura de disparo a medida que la cantidad restante de fijadores disminuye.

► **Fig.24:** 1. Ventanilla de visión 2. Indicador

Para retirar fijadores atascados

⚠ADVERTENCIA: Asegúrese siempre de que el cartucho de batería y los fijadores han sido retirados antes de retirar fijadores atascados.

⚠ADVERTENCIA: No empuje el impulsor de fijador con fuerza. No golpee el impulsor de fijador ni los fijadores con ninguna herramienta manual para despejar atascos. Tenga en cuenta que la herramienta está cargada con aire comprimido y que la presión se mantiene en el interior. No seguir las precauciones de seguridad del manual puede resultar en heridas graves.

⚠ADVERTENCIA: No apunte nunca con la herramienta a usted ni a otras personas cercanas cuando despeje un atasco. En caso contrario, podrá ocasionar un riesgo de heridas por fallo del disparo porque la herramienta se carga con aire comprimido en una cámara sellada en fábrica.

⚠PRECAUCIÓN: No retire los fijadores atascados con las manos desnudas. Los fijadores pueden salir despedidos del cargador y ocasionar heridas.

⚠PRECAUCIÓN: Para abordar situaciones de atascos frecuentes o atascos difíciles de despejar, consulte al centro de servicio Makita local.

⚠PRECAUCIÓN: Asegúrese de bloquear el seguro después de retirar fijadores atascados.

Cuando ocurra el atasco de un fijador, observe atentamente la unidad de alimentación del fijador y de clavado. Los atascos tienden a ser ocasionados por fijadores trabados entre el impulsor de fijador y la guía del impulsor inferior.

Para despejar un atasco, libere el seguro y abra la guía del impulsor. Retire los fijadores atascados y bloquee el seguro.

► **Fig.25:** 1. Seguro 2. Guía del impulsor inferior
3. Guía del impulsor

MANTENIMIENTO

⚠ADVERTENCIA: No desarme esta herramienta. Esta herramienta está sellada con aire comprimido y desarmarla puede resultar en heridas graves.



⚠PRECAUCIÓN: Asegúrese siempre de que la herramienta está apagada y de que el cartucho de batería está retirado antes de intentar hacer una inspección o mantenimiento.

AVISO: No utilice nunca gasolina, bencina, disolvente, alcohol o similares. Podría producir descoloración, deformación o grietas.

Para mantener la SEGURIDAD y FIABILIDAD del producto, las reparaciones, y cualquier otra tarea de mantenimiento o ajuste deberán ser realizadas en centros de servicio o de fábrica autorizados por Makita, empleando siempre repuestos Makita.

Puesta del impulsor en posición inicial

Puede que el impulsor no se posicione correctamente detrás del siguiente fijador a clavar después del atasco de un fijador o en condiciones de poca batería. Realice siempre los pasos de inicialización antes de reiniciar la operación.

1. Retire el cartucho de batería de la herramienta.
2. Extraiga todos los fijadores que queden en el cargador.
3. Observe la posición del impulsor.

Si ve la punta del impulsor fuera de la guía del impulsor, el elemento de contacto no se podrá accionar correctamente durante la inicialización.

► **Fig.26:** 1. Impulsor 2. Guía del impulsor

Gire el ajustador de profundidad para establecer la menos profunda de manera que el elemento de contacto funcione debidamente.

► **Fig.27:** 1. Ajustador de profundidad

4. Instale el cartucho de batería en la herramienta y enciéndala.
 5. Abra el cargador y manténgalo abierto. Después ponga el elemento de contacto contra el material que pueda dañarse.
 6. Apriete el gatillo interruptor completamente, con el elemento de contacto accionado, para restablecer la posición del impulsor.
- **Fig.28:** 1. Cargador 2. Elemento de contacto
3. Gatillo interruptor

El impulsor se pondrá correctamente en la posición inicial.

7. Retire el cartucho de batería de la herramienta. Vuelva a cargar los fijadores en el cargador. Vuelva a colocar el cartucho de batería en la herramienta.

ACCESORIOS OPCIONALES

⚠PRECAUCIÓN: Estos accesorios o aditamentos están recomendados para su uso con la herramienta Makita especificada en este manual. El uso de cualquier otro accesorio o aditamento puede suponer un riesgo de heridas personales. Utilice el accesorio o aditamento solamente con la finalidad indicada para el mismo.

Si necesita cualquier ayuda para más detalles en relación con estos accesorios, pregunte al centro de servicio Makita local.

- Clavos
- Batería y cargador genuinos de Makita

NOTA: Algunos elementos de la lista podrán estar incluidos en el paquete de la herramienta como accesorios estándar. Pueden variar de un país a otro.

ESPECIFICAÇÕES

Modelo:	DBN501
Tamanho dos pregos	18 Ga x 15 / 20 / 25 / 30 / 32 / 35 / 38 / 40 / 45 / 50 mm
Capacidade do magazine	110 peças
Dimensões (C x L x A) ^{1,2}	246 mm x 96 mm x 301 mm
Tensão nominal	C.C. 18 V
Peso líquido	2,7 - 3,0 kg

¹ sem gancho

² com BL1820B

NOTA: Os pregos são referidos como "fixadores" neste manual de instruções a menos que de outra forma especificado.

- Devido a um programa contínuo de pesquisa e desenvolvimento, estas especificações estão sujeitas a alteração sem aviso prévio.
- As especificações podem variar de país para país.
- O valor do peso líquido inclui a combinação mais leve e mais pesada do(s) acessório(s) e da(s) bateria(s) que estão especificados no manual de instruções.

Bateria e carregador aplicável






Bateria	BL1815N / BL1820B / BL1830B / BL1840B / BL1850B / BL1860B
Carregador	DC18RC / DC18RD / DC18RE / DC18SD / DC18SE / DC18SF / DC18SH / DC18WC

- Algumas das baterias e carregadores listados acima poderão não estar disponíveis, dependendo da sua região de residência.

AVISO: Utilize apenas as baterias e carregadores listados acima. A utilização de quaisquer outras baterias e carregadores pode causar ferimentos e/ou um incêndio.

Símbolos

A seguir são apresentados os símbolos que podem ser utilizados para o equipamento. Certifique-se de que compreende o seu significado antes da utilização.

	Leia o manual de instruções.
	Utilize proteção ocular.
	Utilize proteção auditiva.
	Não utilize em andaimes, escadotes.
	Mantenha os dedos afastados do gatilho quando não estiver a pregar fixadores para evitar o disparo acidental.



Apenas para países da UE
Devido à presença de componentes perigosos no equipamento, os resíduos de equipamentos elétricos e eletrónicos, acumuladores e baterias podem ter um impacto negativo no meio ambiente e na saúde humana.
Não elimine aparelhos elétricos e eletrónicos ou baterias juntamente com resíduos domésticos!
De acordo com a Diretiva europeia relativa aos resíduos de equipamentos elétricos e eletrónicos, acumuladores e baterias, bem como a respetiva adaptação à legislação nacional, os resíduos de equipamentos elétricos e eletrónicos, acumuladores e baterias devem ser armazenados separadamente e entregues num ponto de recolha separado para resíduos municipais, que opere de acordo com os regulamentos de proteção ambiental.
Tal é indicado pelo símbolo de contentor de lixo com rodas barrado com uma cruz colocado no equipamento.

Utilização a que se destina

Esta ferramenta serve para prender em trabalho interior e trabalho em mobília.

Ruído

A característica do nível de ruído A determinado de acordo com a EN60745-2-16:

Nível de pressão acústica (L_{pA}): 82 dB (A)

Nível de potência acústica (L_{WA}): 93 dB (A)

Variabilidade (K): 3 dB (A)

NOTA: O(s) valor(es) da emissão de ruído indicado(s) foi medido de acordo com um método de teste padrão e pode ser utilizado para comparar duas ferramentas.

NOTA: O(s) valor(es) da emissão de ruído indicado(s) pode(m) também ser utilizado(s) numa avaliação preliminar da exposição.

AVISO: Utilize protetores auriculares.

AVISO: A emissão de ruído durante a utilização real da ferramenta elétrica pode diferir do(s) valor(es) total(ais) indicado(s), dependendo das formas em que a ferramenta é utilizada.

AVISO: Certifique-se de identificar as medidas de segurança para proteção do operador que sejam baseadas em uma estimativa de exposição em condições reais de utilização (considerando todas as partes do ciclo de operação, tal como quando a ferramenta está desligada e quando está a funcionar em marcha lenta além do tempo de acionamento).

Vibração

O valor total da vibração determinado de acordo com o EN60745-2-16:

Emissão de vibração (a_h): 2,5 m/s² ou menos

Variabilidade (K): 1,5 m/s²

NOTA: O(s) valor(es) total(ais) de vibração indicado(s) foi medido de acordo com um método de teste padrão e pode ser utilizado para comparar duas ferramentas.

NOTA: O(s) valor(es) total(ais) de vibração indicado(s) pode(m) também ser utilizado(s) numa avaliação preliminar da exposição.

AVISO: A emissão de vibração durante a utilização real da ferramenta elétrica pode diferir do(s) valor(es) total(ais) indicado(s), dependendo das formas em que a ferramenta é utilizada.

AVISO: Certifique-se de identificar as medidas de segurança para proteção do operador que sejam baseadas em uma estimativa de exposição em condições reais de utilização (considerando todas as partes do ciclo de operação, tal como quando a ferramenta está desligada e quando está a funcionar em marcha lenta além do tempo de acionamento).

Declarações de conformidade

Apenas para os países europeus

As Declarações de conformidade estão incluídas no Anexo A deste manual de instruções.

AVISOS DE SEGURANÇA

Avisos gerais de segurança para ferramentas elétricas

AVISO Leia todos os avisos de segurança, instruções, ilustrações e especificações fornecidos com esta ferramenta elétrica. O incumprimento de todas as instruções abaixo enumeradas pode resultar em choque elétrico, incêndio e/ou ferimentos graves.

Guarde todos os avisos e instruções para futuras referências.

O termo "ferramenta elétrica" nos avisos refere-se às ferramentas elétricas ligadas à corrente elétrica (com cabo) ou às ferramentas elétricas operadas por meio de bateria (sem cabo).

Avisos de segurança do pinador a bateria

1. **Assuma sempre que a ferramenta contém fixadores.** Um manuseamento descuidado do pinador pode resultar em disparo inesperado dos fixadores e em ferimentos pessoais.
2. **Não aponte a ferramenta na sua direção ou na de alguém nas proximidades.** O disparo inesperado descarregará o fixador provocando um ferimento.
3. **Não acione a ferramenta a não ser que ela esteja colocada firmemente contra a peça de trabalho.** Se a ferramenta não estiver em contacto com a peça de trabalho, o fixador pode ser desviado do alvo.
4. **Desligue a ferramenta da fonte de energia quando o fixador fica encravado na ferramenta.** Enquanto remove um fixador encravado, o pinador pode ser ativado acidentalmente se estiver ligado à corrente.
5. **Tenha todo o cuidado enquanto remove um fixador encravado.** O mecanismo pode estar sob compressão e o agrafe pode ser descarregado com força enquanto tenta libertar-se de uma condição de encravamento.
6. **Não utilize este pinador para prender cabos elétricos.** Ele não foi concebido para a instalação de cabos elétricos e pode danificar o isolamento dos cabos elétricos, causando dessa forma choque elétrico ou perigo de incêndio.
7. **Use sempre óculos de segurança para proteger os olhos da poeira ou de lesões provocadas pelos fixadores.**
8. **Mantenha as mãos e pés afastados da área da porta de ejeção.**
9. **Retire sempre a bateria antes de carregar fixadores, ajustar, inspecionar, realizar a manutenção ou depois de terminar a operação.**
10. **Certifique-se de que não há ninguém por perto antes de efetuar a operação. Nunca tente aparafusar fixadores tanto a partir de dentro como de fora da parede ao mesmo tempo.** Os fixadores podem dilacerar e/ou voar, apresentando um perigo grave.

11. Tenha cuidado e mantenha-se numa posição firme e equilibrada ao utilizar a ferramenta. Certifique-se de que ninguém está por baixo quando trabalha em locais altos.
12. Nunca utilize ferramentas de aparafusar com fixador marcadas com o símbolo “Não utilizar em andaimes, escadas” para aplicação específica como, por exemplo:
 - quando trocar um local de aparafusamento por outro envolver o uso de andaimes, degraus de escadas, escadas ou construções semelhantes a escadas, por exemplo, ripas de telhado;
 - fechar caixas ou grades;
 - instalar sistemas de segurança de transporte, por exemplo, em veículos e vagões.
13. Verifique cuidadosamente as paredes, tetos, pisos, telhados e similares para evitar possíveis choques elétricos, fugas de gás, explosões, etc. causados por agrafar fios condutores, condutas ou tubos de gás.
14. Utilize apenas os fixadores especificados neste manual. A utilização de quaisquer outros fixadores pode provocar um mau funcionamento da ferramenta.
15. Não interfira com a ferramenta nem tente utilizá-la para outros fins além de colocar fixadores.
16. Não utilize a ferramenta sem fixadores. Tal reduz a vida útil da ferramenta.
17. Pare imediatamente as operações de acionamento se reparar em algo de errado ou fora do normal com a ferramenta.
18. Nunca utilize em materiais que permitam que o fixador fure e seja projetado através do mesmo.
19. Nunca faça atuar o gatilho do interruptor e o elemento de contacto simultaneamente até estar preparado para agrafar peças de trabalho. Deixe a peça de trabalho pressionar o elemento de contacto. Nunca contrarie a sua finalidade retendo o elemento de contacto ou pressionando-o à mão.
20. Não interfira com o elemento de contacto. Verifique o elemento de contacto frequentemente para ver se está a funcionar corretamente.
21. Remova sempre os fixadores da ferramenta quando não estiver a ser utilizada.
22. Evite colocar ímanes ou dispositivos magnéticos similares demasiado próximo da ferramenta. Poderá afetar o sensor magnético na ferramenta.

GUARDE ESTAS INSTRUÇÕES.

AVISO: NÃO permita que conforto ou familiaridade com o produto (adquirido com o uso repetido) substitua a aderência estrita às regras de segurança da ferramenta. MÁ INTERPRETAÇÃO ou não seguimento das regras de segurança estabelecidas neste manual de instruções pode causar danos pessoais sérios.

Instruções de segurança importantes para a bateria

1. Antes de utilizar a bateria, leia todas as instruções e etiquetas de precaução no (1) carregador de bateria (2) bateria e (3) produto que utiliza a bateria.
2. Não desmonte ou manipule a bateria. Pode resultar num incêndio, em calor excessivo ou numa explosão.
3. Se o tempo de funcionamento se tornar excessivamente curto, pare o funcionamento imediatamente. Pode resultar em sobreaquecimento, possíveis queimaduras e mesmo explosão.
4. Se entrar eletrólito nos seus olhos, lave-os com água e consulte imediatamente um médico. Pode resultar em perda de visão.
5. Não coloque a bateria em curto-circuito:
 - (1) Não toque nos terminais com qualquer material condutor.
 - (2) Evite guardar a bateria juntamente com outros objetos metálicos tais como pregos, moedas, etc.
 - (3) Não exponha a bateria à água ou chuva. Um curto-circuito pode ocasionar um enorme fluxo de corrente, sobreaquecimento, possíveis queimaduras e mesmo estragar-se.
6. Não guarde nem utilize a ferramenta e a bateria em locais onde a temperatura pode atingir ou exceder 50 °C.
7. Não queime a bateria mesmo que esteja estragada ou completamente gasta. A bateria pode explodir no fogo.
8. Não pregue, corte, esmague, atire, deixe cair a bateria, nem bata a bateria contra um objeto rijo. Esta conduta pode resultar num incêndio, em calor excessivo ou numa explosão.
9. Não utilize uma bateria danificada.
10. As baterias de iões de lítio contidas na ferramenta são sujeitas aos requisitos da DGL (Dangerous Goods Legislation - Legislação de bens perigosos).

Para o transporte comercial, por exemplo, por terceiros ou agentes de expedição, têm de ser observados os requisitos referentes à embalagem e etiquetagem.

Para preparação do artigo a ser expedido, é necessário consultar um perito em materiais perigosos. Tenha ainda em conta a possibilidade de existirem regulamentos nacionais mais detalhados.

Coloque fita-cola ou tape os contactos abertos e embale a bateria de tal forma que não possa mover-se dentro da embalagem.
11. Quando eliminar a bateria, remova-a da ferramenta e elimine-a num local seguro. Siga os regulamentos locais relacionados com a eliminação de baterias.
12. Utilize as baterias apenas com os produtos especificados pela Makita. Instalar as baterias em produtos não-conformes poderá resultar num incêndio, calor excessivo, explosão ou fuga de eletrólito.

13. Se a ferramenta não for utilizada durante um período de tempo prolongado, a bateria deve ser removida da ferramenta.
14. Durante e após a utilização, a bateria pode aquecer, o que pode provocar queimaduras ou queimaduras a baixa temperatura. Preste atenção ao manuseamento de baterias quentes.
15. Não toque no terminal da ferramenta imediatamente após a utilização, pois pode ficar suficientemente quente para provocar queimaduras.
16. Não permita a adesão de aparas, pó ou sujidade nos terminais, nos orifícios e nas ranhuras da bateria. Poderá fazer com que a ferramenta ou a bateria aqueça, incendeie, rebente e avarie, resultando em queimaduras ou ferimentos corporais.
17. A menos que a ferramenta suporte a utilização perto de linhas elétricas de alta tensão, não utilize a bateria perto de linhas elétricas de alta tensão. Pode resultar no mau funcionamento ou na avaria da ferramenta ou bateria.
18. Mantenha a bateria afastada das crianças.

GUARDE ESTAS INSTRUÇÕES.

⚠️PRECAUÇÃO: Utilize apenas baterias genuínas da Makita. A utilização de baterias não genuínas da Makita ou de baterias que foram alteradas, pode resultar no rebentamento da bateria provocando incêndios, ferimentos pessoais e danos. Além disso, anulará a garantia da Makita no que se refere à ferramenta e ao carregador Makita.

📌OBSERVAÇÃO: A Makita não é responsável por quaisquer acidentes resultantes do uso de baterias não genuínas da Makita ou baterias que tenham sido modificadas. As baterias genuínas da Makita foram rigorosamente avaliadas quanto a compatibilidade com as ferramentas e os carregadores da Makita, em linha com a legislação e as normas de segurança aplicáveis.

Conselhos para manter a máxima vida útil da bateria

1. Carregue a bateria antes que esteja completamente descarregada. Pare sempre o funcionamento da ferramenta e carregue a bateria quando notar menos poder na ferramenta.
2. Nunca carregue uma bateria completamente carregada. Carregamento excessivo diminui a vida útil da bateria.
3. Carregue a bateria à temperatura ambiente de 10 °C – 40 °C. Deixe que uma bateria quente arrefeça antes de a carregar.
4. Quando não utilizar a bateria, remova-a da ferramenta ou do carregador.
5. Carregue a bateria se não a utilizar durante um longo período de tempo (mais de seis meses).

DESCRIÇÃO FUNCIONAL

⚠️PRECAUÇÃO: Certifique-se sempre de que a ferramenta está desligada e a bateria foi retirada antes de regular ou verificar qualquer função na ferramenta.

Instalação ou remoção da bateria

⚠️PRECAUÇÃO: Desligue sempre a ferramenta antes de colocar ou retirar a bateria.

⚠️PRECAUÇÃO: Segure firmemente a ferramenta e a bateria quando instalar ou remover a bateria. Se não segurar firmemente a ferramenta e a bateria pode fazer com que escorreguem das suas mãos resultando em danos na ferramenta e na bateria e ferimentos pessoais.

Para instalar a bateria, alinhe a lingueta na bateria com a ranhura na caixa e deslize-a para a posição correta. Insira-a por completo até bloquear na posição correta com um pequeno clique. Se conseguir ver o indicador vermelho conforme apresentado na figura, não está completamente bloqueada.

Para retirar a bateria, deslize-a para fora da ferramenta enquanto desliza o botão na frente da bateria.

► Fig.1: 1. Indicador vermelho 2. Botão 3. Bateria

⚠️PRECAUÇÃO: Instale sempre a bateria até ao fim, até deixar de ver o indicador vermelho. Caso contrário, a bateria poderá cair da ferramenta acidentalmente e provocar ferimentos em si mesmo ou em alguém próximo.













⚠️PRECAUÇÃO: Não instale a bateria à força. Se a bateria não deslizar facilmente é porque não foi colocada corretamente.

Indicação da capacidade restante da bateria

Apenas para baterias com indicador

Prima o botão de verificação na bateria para indicar a capacidade restante da bateria. As luzes indicadoras acendem durante alguns segundos.

► Fig.2: 1. Luzes indicadoras 2. Botão de verificação

Luzes indicadoras			Capacidade restante
 Aceso	 Apagado	 A piscar	
			75% a 100%
			50% a 75%
			25% a 50%
			0% a 25%
			Carregar a bateria.

Luzes indicadoras			Capacidade restante
Aceso	Apagado	A piscar	
			A bateria pode estar avariada.

NOTA: Dependendo das condições de utilização e da temperatura ambiente, a indicação pode ser ligeiramente diferente da capacidade real.

NOTA: A primeira luz indicadora (extremo esquerdo) pisca quando o sistema de proteção da bateria funciona.

Sistema de proteção da ferramenta/bateria

A ferramenta está equipada com um sistema de proteção da ferramenta/bateria. Este sistema corta automaticamente a corrente ao motor para prolongar a vida útil da ferramenta e da bateria. A ferramenta para automaticamente durante o funcionamento se a ferramenta ou a bateria se encontrarem numa das seguintes condições. Nalgumas condições, a luz indicadora acende.

► **Fig.3:** 1. Luz 2. Indicador de alimentação/modo

NOTA: O design do interruptor varia dependendo da sua região de residência.

Indicação do estado de proteção

Luz		Indicador de alimentação/modo		Estado
Ligado	Intermitente	Ligado	Intermitente	
				Sobrecarga

Proteção contra sobrecarga

Quando a ferramenta/bateria é utilizada de forma a causar a absorção anormalmente elevada de corrente, a ferramenta para automaticamente. Nesta situação, desligue a ferramenta e pare a aplicação que causou a sobrecarga da ferramenta. Em seguida, ligue a ferramenta para reiniciar.

Proteção contra sobreaquecimento

Quando a ferramenta/bateria está sobreaquecida, a ferramenta para automaticamente. Nesta situação, deixe a ferramenta arrefecer antes de voltar a ligar a ferramenta.

Proteção contra descarga excessiva

Quando a capacidade da bateria ficar fraca, a ferramenta para automaticamente. Se o produto não funcionar mesmo quando os interruptores são acionados,

remove as baterias da ferramenta e carregue-as.

Proteções contra outras causas

O sistema de proteção foi também concebido para outras causas que possam danificar a ferramenta e permite à ferramenta parar automaticamente. Tome todas as medidas que se seguem para eliminar as causas quando a ferramenta tiver parado ou interrompido temporariamente a operação.

1. Certifique-se de que todos os interruptores estão na posição de desligado e, em seguida, ligue novamente a ferramenta para voltar a arrancar.
2. Carregue a(s) bateria(s) ou substitua-a(s) por bateria(s) recarregada(s).
3. Deixe a ferramenta e a(s) bateria(s) arrefecerem.

Se não for possível constatar qualquer melhoria através do restauro do sistema de proteção, contacte o centro de assistência Makita local.

Ação do interruptor de alimentação

⚠PRECAUÇÃO: Antes de colocar a bateria na ferramenta, verifique sempre se o gatilho do interruptor funciona corretamente e volta para a posição "OFF" quando libertado.

Para ligar a ferramenta, prima e mantenha premido o botão de alimentação principal até o indicador de alimentação acender.

Para desligar a ferramenta, prima e mantenha premido o botão de alimentação principal até o indicador de alimentação apagar.

NOTA: O design do interruptor varia dependendo da sua região de residência.

- **Fig.4:** 1. Botão de alimentação principal
2. Indicador de alimentação

NOTA: A ferramenta não pode ser ligada enquanto o gatilho do interruptor ou o elemento de contacto estiver acionado. Certifique-se de que liberta o gatilho do interruptor e o elemento de contacto antes de ligar a ferramenta.

NOTA: A ferramenta não pode ser desligada enquanto aparafusa fixadores.

NOTA: O interruptor de alimentação principal desliga automaticamente se a ferramenta for deixada sem supervisão por um período prolongado.



Selecionar o modo de atuação

Específico para o país

NOTA: Está disponível apenas um modo de aparafusamento simples em algumas regiões ou países. O design do interruptor varia em função da sua região de residência.

A ferramenta utiliza um disparo de atuação seletiva. Pressione e mantenha pressionado brevemente o botão do interruptor de modo de atuação para selecionar o modo de atuação pretendido.

- **Fig.5:** 1. Botão do interruptor de modo de atuação
2. Modo de atuação sequencial
3. Modo de atuação de contacto

Interruptor de modo	Modo de atuação	Funcionalidade
	Atuação sequencial completa	Aparafuse um fixador numa operação sequencial. Ideal para aparafusar um fixador de forma cuidadosa, precisa e útil quando precisa de uma colocação de fixador precisa.
	Atuação de contacto	Está disponível um aparafusamento simples ou um aparafusamento contínuo. Preferencial quando precisa de uma colocação de fixador altamente produtiva.

 : Indisponível em algumas regiões e países.

NOTA: O modo de atuação não pode ser trocado enquanto o gatilho do interruptor ou o elemento de contacto estiver acionado.

Ajustar a profundidade de aparafusamento

AVISO: Certifique-se sempre de que não tem os dedos colocados no gatilho do interruptor ou no elemento de contacto e que a bateria foi removida antes de ajustar a profundidade de aparafusamento.

Rode o regulador de profundidade para ajustar a profundidade de aparafusamento. A profundidade de aparafusamento é maior rodando o regulador de profundidade na direção A, e é menor rodando o regulador de profundidade na direção B, conforme indicado na figura. O alcance do ajuste da profundidade de aparafusamento é de 8,0 mm.

► **Fig.6:** 1. Regulador de profundidade

OBSERVAÇÃO: Não rode o regulador de profundidade em demasia, ou o regulador de profundidade pode ficar preso.

Ajuste a profundidade de aparafusamento conforme necessário.

► **Fig.7:** 1. Demasiado profundo 2. Nivelado 3. Demasiado superficial

Acender a luz

PRECAUÇÃO: Não olhe para a luz ou para a fonte de iluminação diretamente.

Puxe o gatilho do interruptor ou acione o elemento de contacto para acender a luz. A luz mantém-se acesa enquanto estiver a puxar o gatilho do interruptor ou a acionar o elemento de contacto. A luz apaga-se vários segundos depois de libertar o gatilho do interruptor e o elemento de contacto.

► **Fig.8:** 1. Gatilho 2. Elemento de contacto 3. Lâmpada

OBSERVAÇÃO: Utilize um pano seco para limpar a sujidade da lente da lâmpada. Tenha cuidado para não riscar a lente da lâmpada ou a iluminação pode ficar enfraquecida.

OBSERVAÇÃO: Quando a ferramenta estiver sobreaquecida, a luz pisca. Neste caso, solte o gatilho do interruptor e o elemento de contacto e, em seguida, arrefeça a ferramenta/bateria antes de voltar a operar.

NOTA: A ferramenta pode não disparar após a alimentação da bateria ficar fraca mesmo enquanto a luz permanece acesa. Neste caso, carregue a bateria.

MONTAGEM

PRECAUÇÃO: Certifique-se sempre de que a ferramenta está desligada e a bateria retirada antes de executar qualquer trabalho na ferramenta.

Carregar/descarregar os fixadores

PRECAUÇÃO: Certifique-se sempre de que a bateria foi removida antes de carregar os fixadores. O disparo não intencional pode provocar ferimentos pessoais e danos na propriedade.

PRECAUÇÃO: Não deslize abruptamente a porta deslizante do pinador carregado com fixadores. Deixar cair acidentalmente fixadores, especialmente quando estiver a trabalhar em locais elevados, poderá causar ferimentos pessoais.

PRECAUÇÃO: Carregue os fixadores no sentido correto. Carregar no sentido incorreto poderá causar o desgaste prematuro do acionador e danos nas outras peças.

OBSERVAÇÃO: Não utilize fixadores e tiras de fixadores deformados. Utilize os fixadores especificados neste manual. A utilização de fixadores diferentes dos especificados pode causar o encravamento e o mau funcionamento dos fixadores.

1. Retire a bateria.
2. Pressione a alavanca e abra a porta deslizante do magazine.
3. Coloque uma tira de fixadores de modo que as pontas dos fixadores fiquem entre a placa do magazine e o magazine e deslize a tira de fixadores em direção à guia do acionador.
4. Recoloque a porta deslizante na posição original até a alavanca bloqueá-la.

► **Fig.9:** 1. Alavanca 2. Porta deslizante 3. Magazine

► **Fig.10:** 1. Tira de fixadores 2. Placa do magazine 3. Magazine 4. Guia do acionador

Para remover os fixadores, pressione a alavanca e deslize a porta deslizante. Retire os fixadores do magazine.

Adaptador da cabeça

⚠️ PRECAUÇÃO: Certifique-se sempre de que os dedos não estão colocados no gatilho do interruptor ou no elemento de contacto, remova todos os fixadores deixados no magazine e remova a bateria antes de prender ou desprender o adaptador da cabeça.

Quando aparafusar os fixadores em materiais com superfícies que se mancham facilmente, prenda o adaptador da cabeça no elemento de contacto.

Prender o adaptador da cabeça

Coloque o adaptador da cabeça no elemento de contacto. Certifique-se de que o adaptador da cabeça encaixa na perfeição conforme ilustrado.

► **Fig.11:** 1. Adaptador da cabeça 2. Elemento de contacto

Desprender o adaptador da cabeça

O adaptador da cabeça pode ser removido à mão.

NOTA: Quando não é possível remover o adaptador da cabeça à mão, insira a chave de fendas de ponta achatada entre o adaptador da cabeça e o elemento de contacto e remova o adaptador da cabeça.

► **Fig.12:** 1. Adaptador da cabeça 2. Elemento de contacto 3. Chave de fendas de ponta achatada

NOTA: Pode guardar o adaptador da cabeça no suporte conforme indicado na figura para evitar perdê-lo.

► **Fig.13:** 1. Adaptador da cabeça 2. Suporte

Gancho

⚠️ AVISO: Tenha cuidado para não sobrecarregar o gancho, pois este tem demasiada força. Caso contrário, a sobrecarga irregular pode causar danos na ferramenta que resultam em ferimentos pessoais.

⚠️ PRECAUÇÃO: Não pendure o gancho no cinto para a cintura. Deixar cair a ferramenta, o que é provocado por o gancho sair acidentalmente do lugar, pode provocar o disparo não intencional e resultar em ferimentos pessoais.

► **Fig.14**

⚠️ PRECAUÇÃO: Quando instalar o gancho, fixe-o sempre firmemente com o parafuso. Caso contrário, o gancho sai da ferramenta, resultando em lesão física.

⚠️ PRECAUÇÃO: Utilize apenas as peças de suspensão/montagem para os respetivos fins a que se destinam. A utilização para um fim a que não se destina pode provocar um acidente ou ferimentos pessoais.

⚠️ PRECAUÇÃO: Certifique-se de que pendura a ferramenta firmemente antes de soltar a sua preensão. Um prendimento insuficiente ou desequilibrado pode provocar a queda e pode ficar ferido.

O gancho é conveniente para pendurar temporariamente a ferramenta. Pendure a ferramenta num suporte de ferramenta, numa calha ou numa parede com o gancho.

O gancho pode ser instalado em ambos os lados da ferramenta.

Para instalar o gancho, insira-o numa ranhura no corpo da ferramenta em qualquer um dos lados e, em seguida, prenda-o com o parafuso conforme indicado na figura. Para remover, solte o parafuso e, em seguida, remova o gancho.

► **Fig.15:** 1. Ranhura 2. Gancho 3. Parafuso

OPERAÇÃO

Testar o sistema de segurança

⚠️ AVISO: Certifique-se de que todos os sistemas de segurança estão a funcionar adequadamente antes da operação. Caso contrário, pode provocar ferimentos pessoais.

► **Fig.16:** 1. Gatilho 2. Elemento de contacto 3. Magazine 4. Alavanca

Teste o sistema de segurança da seguinte forma quanto a possível falha ou avaria antes da operação.

1. Remova a bateria da ferramenta. Em seguida, descarregue todos os fixadores deixados no magazine.
2. Instale a bateria na posição correta e ligue a ferramenta.
3. Puxe o gatilho do interruptor sem tocar no elemento de contacto encostado ao material.
4. Abra o magazine e mantenha-o aberto. Em seguida, coloque o elemento de contacto encostado ao material sem puxar o gatilho do interruptor.

Se a ferramenta trabalhar no caso do passo 3 ou 4 acima descrito, o sistema de segurança não está a funcionar corretamente. Deixe imediatamente de utilizar a ferramenta e solicite assistência ao Centro de Assistência da Makita local.

Manusear os fixadores

Pregos

Manuseie os pregos e a respetiva caixa com cuidado. Se os pregos tiverem sido manuseados de forma bruta, podem estar deformados ou com o conector partido, causando uma má alimentação de pregos.

OBSERVAÇÃO: Evite guardar pregos num local muito húmido ou quente ou colocá-los expostos à luz solar direta.

► Fig.17

Aparafusar os fixadores

AVISO: Mantenha o rosto afastado da ferramenta quando a operar. O não cumprimento desta indicação pode provocar ferimentos.

AVISO: Não utilize esta ferramenta para fixar cabos elétricos. Esta ferramenta não foi concebida para a instalação de cabos elétricos e pode danificar o isolamento dos cabos elétricos, causando dessa forma choque elétrico ou perigo de incêndio.

AVISO: Continue a colocar o elemento de contacto firmemente sobre o material até o prego estar completamente pregado. O disparo não intencional pode provocar ferimentos pessoais.

PRECAUÇÃO: Segure a ferramenta firmemente durante a operação.

PRECAUÇÃO: Não aparafuse fixadores em materiais rijos, como metal ou outro semelhante. Se o fixador não conseguir penetrar no material, a ferramenta pode ressaltar, em direção ao utilizador, e provocar ferimentos.

OBSERVAÇÃO: A ferramenta não começa a apertar após cinco segundos sem operar qualquer interruptor enquanto o gatilho do interruptor ou o elemento de contacto estiver a ser acionado exclusivamente. Liberte o gatilho do interruptor ou puxe o elemento de contacto para libertá-lo da peça de trabalho e, em seguida, reposicione a ferramenta no devido lugar para recomeçar o aperto.

NOTA: Se pregar pregos continuamente durante muito tempo, o ar de escape irá aquecer devido ao calor do motor.

A ferramenta utiliza duas ações de aparafusamento; atuação sequencial completa e atuação de contacto.

NOTA: Está disponível apenas um modo de aparafusamento simples (atuação sequencial completa) em algumas regiões ou países. O design do interruptor varia em função da sua região de residência.

Atuação sequencial completa

Neste modo, pode aparafusar um fixador por meio de uma operação sequencial.

Um contacto da peça de trabalho e depois um gatilho precisam de ser ativados numa sequência específica

para acionar a ferramenta. Solte e volte a ativar os controlos de interruptor seguindo a mesma sequência para continuar a aparafusar os fixadores.

1. Pressione e mantenha o botão de alimentação principal pressionado para ligar a ferramenta.
2. Certifique-se de que a luz do modo de atuação sequencial acende.

► Fig.18: 1. Botão de alimentação principal 2. Luz do modo de atuação sequencial

3. Coloque o elemento de contacto plano no material.

► Fig.19: 1. Elemento de contacto

4. Puxe o gatilho do interruptor até ao fim para aparafusar um fixador.

► Fig.20: 1. Gatilho

5. Solte o dedo do gatilho do interruptor. Em seguida, eleve o elemento de contacto do material.

Para aparafusar o próximo fixador, repita os passos 3 a 5 na mesma sequência.

Atuação de contacto

Específico para o país

Neste modo, pode escolher entre o aparafusamento contínuo ou simples seguindo quaisquer sequências da operação do gatilho.

Um contacto da peça de trabalho e um gatilho podem ser ativados em quaisquer sequências para acionar a ferramenta. Solte e volte a ativar o contacto da peça de trabalho para aparafusar continuamente os fixadores.

Para um aparafusamento simples

1. Pressione e mantenha o botão de alimentação principal pressionado para ligar a ferramenta.
2. Pressione e mantenha pressionado brevemente o botão do interruptor de modo de atuação para selecionar o modo de atuação de contacto.

A luz do modo de atuação de contacto acende.

► Fig.21: 1. Botão do interruptor de modo de atuação 2. Luz do modo de atuação de contacto

3. Coloque o elemento de contacto plano no material.

4. Puxe o gatilho do interruptor até ao fim para aparafusar um fixador.

5. Solte o dedo do gatilho do interruptor. Em seguida, eleve o elemento de contacto do material.

Para aparafusar o próximo fixador, repita os passos 3 a 5 na mesma sequência.

Para um aparafusamento contínuo

1. Pressione e mantenha o botão de alimentação principal pressionado para ligar a ferramenta.
2. Pressione e mantenha pressionado brevemente o botão do interruptor de modo de atuação para selecionar o modo de atuação de contacto.

A luz do modo de atuação de contacto acende.

3. Puxe o gatilho.

► Fig.22: 1. Gatilho

4. Coloque o elemento de contacto encostado ao material para aparafusar um fixador.

5. Mova a ferramenta para as áreas seguintes com o gatilho do interruptor puxado e coloque o elemento de contacto encostado ao material para aparafusar os seguintes fixadores.

► **Fig.23:** 1. Gatilho 2. Elemento de contacto

Mecanismo antidisparo a seco

Quando os restantes fixadores no magazine diminuírem para 5 - 7 unidades, o interruptor já não pode ser acionado e a ferramenta interrompe o disparo. Insira uma nova tira de fixadores no magazine antes de reiniciar a operação.

Verificar os fixadores restantes

Pode verificar a quantidade de fixadores restantes através da janela de observação.

O indicador move-se em direção à abertura de disparo à medida que a quantidade de fixadores restantes fica mais reduzida.

► **Fig.24:** 1. Janela de observação 2. Indicador

Remover os fixadores encravados

AVISO: Certifique-se sempre de que a bateria e os fixadores foram removidos antes de remover os fixadores encravados.

AVISO: Não pressione o acionador de fixadores à força. Não bata no acionador de fixadores e nos fixadores com quaisquer ferramentas manuais para eliminar os encravamentos. Tenha em atenção que a ferramenta está carregada com ar comprimido e que a pressão é mantida no interior. O incumprimento das precauções de segurança no manual pode dar origem a ferimentos graves.

AVISO: Nunca aponte a ferramenta para si próprio ou para outras pessoas nas imediações quando eliminar encravamentos. Caso contrário, poderá causar um risco de ferimentos por disparo incorreto, uma vez que a ferramenta está carregada com ar comprimido numa câmara selada de fábrica.

PRECAUÇÃO: Não remova os fixadores encravados com as mãos desprotegidas. O fixador pode saltar para fora do magazine e provocar ferimentos.

PRECAUÇÃO: Para dar resposta a encravamentos frequentes ou situações de encravamento difíceis de eliminar, consulte o seu Centro de Assistência da Makita local.

PRECAUÇÃO: Certifique-se de que bloqueie o fecho depois de remover os fixadores encravados.

Quando ocorre um encravamento de fixadores, examine com atenção a alimentação de fixadores e a unidade de aparafusamento. Os encravamentos tendem a ser causados pelos fixadores encravados entre o acionador de fixadores e a guia do acionador inferior. Para eliminar um encravamento, solte o fecho e abra o guia do acionador. Remova os fixadores encravados e bloqueie o fecho.

► **Fig.25:** 1. Fecho 2. Guia do acionador inferior

3. Guia do acionador

MANUTENÇÃO

AVISO: Não desmonte esta ferramenta. Esta ferramenta está selada com ar comprimido e a desmontagem pode dar origem a ferimentos graves.



PRECAUÇÃO: Certifique-se sempre de que a ferramenta se encontra desligada e de que a bateria foi retirada antes de executar qualquer inspeção ou manutenção.

OBSERVAÇÃO: Nunca utilize gasolina, benzina, diluente, álcool ou produtos semelhantes. Pode ocorrer a descoloração, deformação ou rachaduras.

Para manter a SEGURANÇA e a FIABILIDADE do produto, as reparações e qualquer outra manutenção ou ajuste devem ser levados a cabo pelos centros de assistência Makita autorizados ou pelos centros de assistência de fábrica, utilizando sempre peças de substituição Makita.

Inicializar a posição do acionador

O acionador pode não estar posicionado de modo correto atrás do fixador para ser aparafusado em seguida após um encravamento de fixadores ou em condições de bateria fraca. Efetue sempre os passos de inicialização antes de reiniciar a operação.

1. Remova a bateria da ferramenta.
2. Retire todos os fixadores deixados no magazine.
3. Observe a posição do acionador.

Se vir que a ponta do acionador está fora da guia do acionador, o elemento de contacto não pode ser corretamente acionado durante a inicialização.

► **Fig.26:** 1. Acionador 2. Guia do acionador

Rode o regulador de profundidade para definir o valor mais raso de modo que o elemento de contacto funcione de modo correto.

► **Fig.27:** 1. Regulador de profundidade

4. Instale a bateria na posição correta e ligue a ferramenta.
 5. Abra o magazine e mantenha-o aberto. Em seguida, coloque o elemento de contacto encostado ao material que pode ficar danificado.
 6. Puxe o gatilho do interruptor completamente, com o elemento de contacto acionado, para repor a posição do acionador.
- **Fig.28:** 1. Magazine 2. Elemento de contacto 3. Gatilho do interruptor

A posição do acionador será inicializada corretamente.

7. Remova a bateria da ferramenta. Volte a carregar os fixadores no magazine. Volte a colocar a bateria na ferramenta.

ACESSÓRIOS OPCIONAIS

⚠PRECAUÇÃO: Estes acessórios ou peças são recomendados para utilização com a ferramenta Makita especificada neste manual. A utilização de outros acessórios ou peças pode ser perigosa para as pessoas. Utilize apenas acessórios ou peças para os fins indicados.

Se necessitar de informações adicionais relativas a estes acessórios, solicite-as ao seu centro de assistência Makita.

- Pregos
- Bateria e carregador genuínos da Makita

NOTA: Alguns itens da lista podem estar incluídos na embalagem da ferramenta como acessórios padrão. Eles podem variar de país para país.

ΠΡΟΔΙΑΓΡΑΦΕΣ

Μοντέλο:	DBN501
Μέγεθος καρφιών	18 Ga x 15 / 20 / 25 / 30 / 32 / 35 / 38 / 40 / 45 / 50 mm
Χωρητικότητα γεμιστήρα	110 τεμάχια
Διαστάσεις (Μ x Π x Υ) ^{1,2}	246 mm x 96 mm x 301 mm
Ονομαστική τάση	D.C. 18 V
Καθαρό βάρος	2,7 - 3,0 kg

¹ χωρίς γάντζο

² με BL1820B

ΠΑΡΑΤΗΡΗΣΗ: Τα καρφιά θα αναφέρονται ως «συνδετήρες» στο παρόν εγχειρίδιο οδηγιών, εκτός εάν ορίζεται διαφορετικά.

- Λόγω του συνεχιζόμενου προγράμματος έρευνας και ανάπτυξης, οι προδιαγραφές αυτές υπόκεινται σε αλλαγές χωρίς προειδοποίηση.
- Τα τεχνικά χαρακτηριστικά μπορεί να διαφέρουν από χώρα σε χώρα.
- Η τιμή καθαρού βάρους περιλαμβάνει τον ελαφρύτερο και βαρύτερο συνδυασμό του προσαρτήματος ή προσαρτημάτων και της κασέτας μπαταριών ή κασετών μπαταριών που καθορίζονται στο εγχειρίδιο οδηγιών.

Ισχύουσα κασέτα μπαταριών και φορτιστής

Κασέτα μπαταρίας	BL1815N / BL1820B / BL1830B / BL1840B / BL1850B / BL1860B
Φορτιστής	DC18RC / DC18RD / DC18RE / DC18SD / DC18SE / DC18SF / DC18SH / DC18WC

- Ορισμένες από τις κασέτες και τους φορτιστές μπαταριών που αναγράφονται παραπάνω ίσως να μην είναι διαθέσιμοι, ανάλογα με την τοποθεσία κατοικίας σας.

⚠ ΠΡΟΕΙΔΟΠΟΙΗΣΗ: Να χρησιμοποιείτε μόνο τις κασέτες μπαταριών και τους φορτιστές που παρατίθενται ανωτέρω. Η χρήση οποιασδήποτε άλλης κασέτας μπαταριών ή φορτιστή μπορεί να προκαλέσει τραυματισμό ή/και πυρκαγιά.

Σύμβολα

Παρακάτω παρουσιάζονται τα σύμβολα που μπορούν να χρησιμοποιηθούν για τον εξοπλισμό. Βεβαιωθείτε ότι κατανοείτε τη σημασία τους πριν από τη χρήση.



Διαβάστε το εγχειρίδιο οδηγιών.



Φοράτε προστατευτικά ματιών.



Φοράτε υψοασπίδες.



Απαγορεύεται η χρήση σε σκαλωσιές, σκάλες.



Κρατήστε τα δάχτυλά σας μακριά από τη σκανδάλη όταν καρφώνετε συνδετήρες για να αποφύγετε την τυχαία εκπιεσοκρότηση.



Ni-MH
Li-ion

Μόνο για τις χώρες της ΕΕ
Λόγω της παρουσίας των επικίνδυνων συστατικών μερών στον εξοπλισμό, ο απόβλητος ηλεκτρικός και ηλεκτρονικός εξοπλισμός, οι συσσωρευτές και οι μπαταρίες μπορεί να έχουν αρνητική επίδραση στο περιβάλλον και την ανθρώπινη υγεία. Μην απορρίπτετε τις ηλεκτρικές και ηλεκτρονικές συσκευές ή μπαταρίες μαζί με τα οικιακά απορρίμματα!
Σύμφωνα με την Ευρωπαϊκή Οδηγία για τον απόβλητο ηλεκτρικό και ηλεκτρονικό εξοπλισμό και για τους συσσωρευτές και μπαταρίες και τους απόβλητους συσσωρευτές και μπαταρίες, καθώς και την προσαρμογή τους στην εθνική νομοθεσία, ο απόβλητος ηλεκτρικός εξοπλισμός, οι μπαταρίες και οι συσσωρευτές θα πρέπει να αποθηκεύονται ξεχωριστά και να παραδίδονται σε ξεχωριστό σημείο συλλογής για δημοτικά απόβλητα, το οποίο λειτουργεί σύμφωνα με τους κανονισμούς για την προστασία του περιβάλλοντος. Αυτό υποδεικνύεται από το σύμβολο του διαγραμμένου τροχοφόρου κάδου που βρίσκεται αναρτημένο επάνω στον εξοπλισμό.

Προοριζόμενη χρήση

Αυτό το εργαλείο προορίζεται για εργασίες στερέωσης σε εσωτερικούς χώρους και έπιπλα.

Θόρυβος

Το τυπικό Α επίπεδο καταμετρημένου θορύβου καθορίζεται σύμφωνα με το EN60745-2-16:
Στάθμη ηχητικής πίεσης (L_{pA}): 82 dB (A)
Στάθμη ηχητικής ισχύος (L_{WA}): 93 dB (A)
Αβεβαιότητα (K): 3 dB (A)

ΠΑΡΑΤΗΡΗΣΗ: Η δηλωμένη τιμή(ές) εκπομπής θορύβου έχει μετρηθεί σύμφωνα με την πρότυπη μέθοδο δοκιμής και μπορεί να χρησιμοποιηθεί για τη σύγκριση ενός εργαλείου με κάποιο άλλο.

ΠΑΡΑΤΗΡΗΣΗ: Η δηλωμένη τιμή(ές) εκπομπής θορύβου μπορεί να χρησιμοποιηθεί και στην προκαταρκτική αξιολόγηση της έκθεσης.

▲ ΠΡΟΕΙΔΟΠΟΙΗΣΗ: Να φοράτε ωτοασπίδες.

▲ ΠΡΟΕΙΔΟΠΟΙΗΣΗ: Η εκπομπή θορύβου κατά τη χρήση του ηλεκτρικού εργαλείου σε πραγματικές συνθήκες μπορεί να διαφέρει από τη δηλωμένη ολική τιμή ή τιμές ανάλογα με τους τρόπους χρήσης του εργαλείου.

▲ ΠΡΟΕΙΔΟΠΟΙΗΣΗ: Φροντίστε να λάβετε τα κατάλληλα μέτρα προστασίας του χειριστή βάσει ενός υπολογισμού της έκθεσης σε πραγματικές συνθήκες χρήσης (λαμβάνοντας υπόψη όλες τις συνιστώσες του κύκλου λειτουργίας όπως τους χρόνους που το εργαλείο είναι εκτός λειτουργίας και όταν βρίσκεται σε αδρανή λειτουργία πέραν του χρόνου ενεργοποίησης).

Κραδασμός

Η ολική τιμή δόνησης καθορίζεται σύμφωνα με το EN60745-2-16:
Εκπομπή δόνησης (a_h): 2,5 m/s² ή λιγότερο
Αβεβαιότητα (K): 1,5 m/s²

ΠΑΡΑΤΗΡΗΣΗ: Η δηλωμένη τιμή(ές) συνολικών κραδασμών έχει μετρηθεί σύμφωνα με την πρότυπη μέθοδο δοκιμής και μπορεί να χρησιμοποιηθεί για τη σύγκριση ενός εργαλείου με κάποιο άλλο.

ΠΑΡΑΤΗΡΗΣΗ: Η δηλωμένη ολική τιμή ή τιμές δόνησης μπορεί να χρησιμοποιηθεί και στην προκαταρκτική αξιολόγηση της έκθεσης.

▲ ΠΡΟΕΙΔΟΠΟΙΗΣΗ: Η εκπομπή δόνησης κατά τη χρήση του ηλεκτρικού εργαλείου σε πραγματικές συνθήκες μπορεί να διαφέρει από τη δηλωμένη ολική τιμή ή τιμές ανάλογα με τους τρόπους χρήσης του εργαλείου.

▲ ΠΡΟΕΙΔΟΠΟΙΗΣΗ: Φροντίστε να λάβετε τα κατάλληλα μέτρα προστασίας του χειριστή βάσει ενός υπολογισμού της έκθεσης σε πραγματικές συνθήκες χρήσης (λαμβάνοντας υπόψη όλες τις συνιστώσες του κύκλου λειτουργίας όπως τους χρόνους που το εργαλείο είναι εκτός λειτουργίας και όταν βρίσκεται σε αδρανή λειτουργία πέραν του χρόνου ενεργοποίησης).

Δήλωση Συμμόρφωσης

Μόνο για χώρες της Ευρώπης

Οι Δηλώσεις Συμμόρφωσης περιλαμβάνονται στο

Παράρτημα Α στο παρόν εγχειρίδιο οδηγιών.

ΠΡΟΕΙΔΟΠΟΙΗΣΕΙΣ ΑΣΦΑΛΕΙΑΣ

Γενικές προειδοποιήσεις ασφαλείας για το ηλεκτρικό εργαλείο

▲ ΠΡΟΕΙΔΟΠΟΙΗΣΗ Διαβάστε όλες τις προειδοποιήσεις ασφαλείας, οδηγίες, εικονογραφίες και προδιαγραφές που παρέχονται με αυτό το ηλεκτρικό εργαλείο. Η μη τήρηση όλων των οδηγιών που αναγράφονται κατωτέρω μπορεί να καταλήξει σε ηλεκτροπληξία, πυρκαγιά ή/και σοβαρό τραυματισμό.

Φυλάξτε όλες τις προειδοποιήσεις και τις οδηγίες για μελλοντική παραπομπή.

Στις προειδοποιήσεις, ο όρος «ηλεκτρικό εργαλείο» αναφέρεται σε ηλεκτρικό εργαλείο που τροφοδοτείται από την κύρια παροχή ηλεκτρικού ρεύματος (με ηλεκτρικό καλώδιο) ή σε ηλεκτρικό εργαλείο που τροφοδοτείται από μπαταρία (χωρίς ηλεκτρικό καλώδιο).

Προειδοποιήσεις ασφαλείας για το φορητό καρφωτικό

1. **Να υποθέτετε πάντα ότι το εργαλείο περιέχει συνδεδεμένο.** Ο απρόσεκτος χειρισμός του καρφωτικού μπορεί να καταλήξει σε μη αναμενόμενη πυροδότηση συνδετήρων και τραυματισμό.
2. **Μην στρέψετε το εργαλείο προς το μέρος σας ή προς οποιοδήποτε άλλο άτομο εκεί κοντά.** Η μη αναμενόμενη πυροδότηση προκαλεί εκτίναξη του συνδετήρα προκαλώντας τραυματισμό.
3. **Μην ενεργοποιείτε το εργαλείο εκτός εάν έχετε τοποθετήσει το εργαλείο σταθερά σε επαφή με το τεμάχιο εργασίας.** Εάν το εργαλείο δεν έχει τοποθετηθεί σταθερά σε επαφή με το τεμάχιο εργασίας, ο συνδετήρας μπορεί να εκτραπεί από το στόχο του.
4. **Αποσυνδέστε το εργαλείο από την πηγή τροφοδοσίας όταν παρουσιαστεί εμπλοκή του συνδετήρα μέσα στο εργαλείο.** Όταν επιχειρείτε να αφαιρέσετε έναν μπλοκαρισμένο συνδετήρα, το καρφωτικό μπορεί να ενεργοποιηθεί τυχαία αν είναι συνδεδεμένο.
5. **Να είστε προσεκτικοί κατά την αφαίρεση ενός μπλοκαρισμένου συνδετήρα.** Ο μηχανισμός μπορεί να βρίσκεται υπό συμπίεση και ο συνδετήρας να εκτιναχθεί βίαια όταν επιχειρήσετε να ελευθερώσετε ένα μπλοκαρισμένο εργαλείο.
6. **Μην χρησιμοποιείτε αυτό το καρφωτικό για τη στερέωση ηλεκτρικών καλωδίων.** Δεν είναι σχεδιασμένο για την τοποθέτηση ηλεκτρικών καλωδίων και μπορεί να προκαλέσει βλάβη στη μόνωση των ηλεκτρικών καλωδίων με αποτέλεσμα να προκληθεί ηλεκτροπληξία ή κίνδυνος πυρκαγιάς.
7. **Φοράτε πάντοτε γυαλιά ασφαλείας για να προστατεύετε τα μάτια σας από τη σκόνη ή**

- από τραυματισμό από τους συνδετήρες.
8. Να κρατάτε τα χέρια και τα πόδια σας μακριά από την περιοχή της θύρας εκτίναξης.
 9. Να βγάξετε πάντα την κασέτα μπαταριών πριν την τοποθέτηση συνδετήρων, τη ρύθμιση, τον έλεγχο, τη συντήρηση ή μετά το τέλος της λειτουργίας.
 10. Σιγουρευτείτε ότι δεν βρίσκεται κανείς κοντά σας πριν από τη λειτουργία. Μην προσπαθήσετε ποτέ να καρφώσετε συνδετήρες ταυτόχρονα από την εσωτερική και την εξωτερική πλευρά του τοίχου. Οι συνδετήρες μπορεί να διαπεράσουν τον τοίχο ή/και να εκσφενδονιστούν, δημιουργώντας σοβαρό κίνδυνο.
 11. Προσέχετε το στήριγμα των ποδιών σας και διατηρείτε την ισορροπία σας με το εργαλείο. Βεβαιωθείτε ότι δεν υπάρχει κανείς από κάτω όταν εργάζεστε σε υψηλές τοποθεσίες.
 12. Ποτέ μη χρησιμοποιήσετε καρφωτικά πιστόλια που φέρουν την ένδειξη «Μη χρησιμοποιείτε σε σκαλωσιές, σκάλες, κτλ.» για ειδικές εφαρμογές όπως για παράδειγμα:
 - όταν κατά την αλλαγή από μια τοποθεσία καρφώματος σε μια άλλη χρησιμοποιούνται σκαλωσιές, σκαλοπάτια, σκάλες ή άλλες παρόμοιες κατασκευές, π.χ. σανίδες σκεπών,
 - κατά το κλείσιμο κιβωτίων ή τειλών,
 - κατά την εφαρμογή συστημάτων ασφάλειας μεταφορών π.χ. σε οχήματα και βαγόνια.
 13. Να ελέγχετε προσεκτικά τους τοίχους, τις οροφές, τα πατώματα, τις στέγες και παρόμοια για να αποφύγετε πιθανή ηλεκτροπληξία, διαρροή αερίου, εκρήξεις, κτλ. που προκαλούνται από την τοποθέτηση συρραπτικών σε ηλεκτροφόρα καλώδια, αγωγούς ή σωληνές αερίων.
 14. Χρησιμοποιείτε μόνο συνδετήρες που υποδεικνύονται σε αυτό το εγχειρίδιο. Εάν χρησιμοποιήσετε άλλους συνδετήρες, μπορεί να προκληθεί δυσλειτουργία του εργαλείου.
 15. Μην παραβιάζετε το εργαλείο και μην προσπαθείτε να το χρησιμοποιείτε για άλλο σκοπό εκτός από το κάρφωμα συνδετήρων.
 16. Μη θέτετε το εργαλείο σε λειτουργία χωρίς συνδετήρες. Συντομεύει η διάρκεια ζωής του εργαλείου.
 17. Να σταματάτε αμέσως τις εργασίες καρφώματος εάν παρατηρήσετε ότι κάτι δεν πάει καλά ή είναι ασυνήθιστο για το εργαλείο.
 18. Μην συρράφετε ποτέ πάνω σε υλικά που μπορεί να επιτρέψουν στο συνδετήρα να τα διατρήσει και να εκτοξευτεί μέσα από αυτά.
 19. Μην ενεργοποιείτε ποτέ τη σκανδάλη διακόπτη και το στοιχείο επαφής ταυτόχρονα προτού είστε έτοιμοι για τη συρραφή τεμαχίου εργασίας. Αφήστε το τεμάχιο εργασίας να ελευθερώσει το στοιχείο επαφής. Μην ακυρώσετε ποτέ τη λειτουργία του με το να ασφαλίσετε το στοιχείο επαφής πίσω ή με το να τον πατάτε με το χέρι.
 20. Μην παραβιάζετε ποτέ το στοιχείο επαφής. Να ελέγχετε συχνά το στοιχείο επαφής για σωστή λειτουργία.

21. Να αφαιρείτε πάντα τους συνδετήρες από το εργαλείο όταν δεν το χρησιμοποιείτε.
22. Αποφύγετε την τοποθέτηση μαγνητών ή παρόμοιας μαγνητικής συσκευής πολύ κοντά στο εργαλείο. Μπορεί να επηρεάζει τον μαγνητικό αισθητήρα στο εργαλείο.

ΦΥΛΑΞΤΕ ΤΙΣ ΟΔΗΓΙΕΣ ΑΥΤΕΣ.

▲ΠΡΟΕΙΔΟΠΟΙΗΣΗ: ΜΗΝ επιτρέψετε το βαθμό άνεσης ή εξοικείωσης με το προϊόν (λόγω επανειλημμένης χρήσης) να αντικαταστήσει την αυστηρή τήρηση των κανόνων ασφαλείας του παρόντος εργαλείου. Η ΛΑΝΘΑΣΜΕΝΗ ΧΡΗΣΗ ή η αμέλεια να ακολουθήσετε τους κανόνες ασφαλείας που διατυπώνονται στο παρόν εγχειρίδιο οδηγιών μπορεί να προκαλέσει σοβαρό προσωπικό τραυματισμό.

Σημαντικές οδηγίες ασφάλειας για κασέτα μπαταριών

1. Πριν χρησιμοποιήσετε την κασέτα μπαταριών, διαβάστε όλες τις οδηγίες και σημειώσεις προφύλαξης (1) στον φορτιστή μπαταριών, (2) στην μπαταρία και (3) στο προϊόν που χρησιμοποιείτε την μπαταρία.
2. Μην αποσυναρμολογήσετε ή παραβιάσετε την κασέτα μπαταριών. Μπορεί να έχει ως αποτέλεσμα πυρκαγιά, υπερθέρμανση ή έκρηξη.
3. Εάν ο χρόνος λειτουργίας έχει γίνει υπερβολικά βραχύς, σταματήστε τη λειτουργία αμέσως. Αλλιώς, μπορεί να έχει ως αποτέλεσμα κίνδυνο υπερθέρμανσης, πιθανά εγκαύματα ή ακόμη και έκρηξη.
4. Εάν ηλεκτρολύτης μπει στα μάτια σας, ξεπλύνετε τα με καθαρό νερό και ζητήστε ιατρική φροντίδα αμέσως. Αλλιώς, μπορεί να έχει ως αποτέλεσμα απώλεια της όρασης σας.
5. Μη βραχυκυκλώνετε την κασέτα μπαταριών:
 - (1) Μην αγγίζετε τους πόλους με οτιδήποτε αγώγιμο υλικό.
 - (2) Αποφύγετε να αποθηκεύετε την κασέτα μπαταριών μέσα σε ένα δοχείο μαζί με άλλα μεταλλικά αντικείμενα όπως καρφιά, νομίσματα, κλπ.
 - (3) Μην εκθέτετε την κασέτα μπαταριών στο νερό ή στη βροχή.
 Ένα βραχυκύκλωμα μπαταρίας μπορεί να προκαλέσει μεγάλη ροή ρεύματος, υπερθέρμανση, πιθανά εγκαύματα ακόμη και σοβαρή βλάβη.
6. Μην αποθηκεύετε και μην χρησιμοποιείτε το εργαλείο και την κασέτα μπαταριών σε τοποθεσίες όπου η θερμοκρασία μπορεί να φτάσει ή να ξεπεράσει τους 50°C.
7. Μην καίτε την κασέτα μπαταριών ακόμη και εάν έχει σοβαρή ζημιά ή είναι εντελώς φθαρμένη. Η κασέτα μπαταριών μπορεί να εκραγεί στη φωτιά.
8. Μην καρφώσετε, κόψετε, συνθλίψετε, πετάξετε ή ρίξετε κάτω την κασέτα μπαταριών, ούτε να χτυπήσετε ένα σκληρό αντικείμενο επάνω στην κασέτα μπαταριών. Τέτοια συμπεριφορά μπορεί να έχει ως αποτέλεσμα πυρκαγιά,

υπερθέρμανση ή έκρηξη.

9. **Μη χρησιμοποιείτε μπαταρία που έχει υποστεί ζημία.**
10. **Οι μπαταρίες ιόντων λιθίου που περιέχονται υπόκεινται στις απαιτήσεις της νομοθεσίας για επικίνδυνα αγαθά.**

Για εμπορικές μεταφορές, για παράδειγμα από τρίτα μέρη, πρέπει να τηρούνται οι διαμεταφορές, οι ειδικές απαιτήσεις στη συσκευασία και η επισήμανση.

Για προετοιμασία του στοιχείου που αποστέλλεται, είναι απαραίτητο να συμβουλευτείτε έναν ειδικό για επικίνδυνα υλικά. Επίσης, τηρήστε τους πιθανούς, πιο αναλυτικούς εθνικούς κανονισμούς. Καλύψτε με αυτοκόλλητη ταινία ή κρύψτε τις ανοικτές επαφές και συσκευάστε την μπαταρία με τρόπο που να μην μπορεί να μετακινείται μέσα στη συσκευασία.
11. **Όταν απορρίπτετε την κασέτα μπαταριών, αφαιρέστε την από το εργαλείο και διαθέστε την σε ένα ασφαλές μέρος.** Τηρήστε τους τοπικούς κανονισμούς που σχετίζονται με τη διάθεση της μπαταρίας.
12. **Χρησιμοποιήστε τις μπαταρίες μόνο με τα προϊόντα που καθορίζει η Makita.** Αν τοποθετήσετε τις μπαταρίες σε μη συμβατά προϊόντα μπορεί να έχει ως αποτέλεσμα πυρκαγιά, υπερβολική θερμότητα, έκρηξη ή διαρροή ηλεκτρολύτη.
13. **Αν δεν χρησιμοποιείτε το εργαλείο για μεγάλο χρονικό διάστημα, πρέπει να βγάλετε την μπαταρία από το εργαλείο.**
14. **Κατά τη διάρκεια και μετά τη χρήση, η κασέτα μπαταριών μπορεί να θερμανθεί, γεγονός που μπορεί να προκαλέσει εγκαύματα ή εγκαύματα από χαμηλή θερμοκρασία.** Προσέχετε το χειρισμό των ζεστών κασετών μπαταριών.
15. **Μην αγγίζετε τον ακροδέκτη του εργαλείου αμέσως μετά τη χρήση επειδή μπορεί να έχει ζεσταθεί αρκετά για να προκαλέσει εγκαύματα.**
16. **Μην αφήνετε θραύσματα, σκόνη ή βρομιά να κολλήσει στους ακροδέκτες, τις οπές και τις εγκοπές της κασέτας μπαταριών.** Μπορεί να προκαλέσει θέρμανση, φωτιά, έκρηξη και δυσλειτουργία του εργαλείου ή της κασέτας μπαταριών, έχοντας ως αποτέλεσμα εγκαύματα ή προσωπικό τραυματισμό.
17. **Εκτός αν το εργαλείο υποστηρίζει τη χρήση κοντά σε ηλεκτρικές γραμμές υψηλής τάσης, μην χρησιμοποιείτε την κασέτα μπαταριών κοντά σε ηλεκτρικές γραμμές υψηλής τάσης.** Μπορεί να έχει ως αποτέλεσμα δυσλειτουργία ή σπάζιμο του εργαλείου ή της κασέτας μπαταριών.
18. **Κρφυλάξτε την μπαταρία μακριά από παιδιά.**

ΦΥΛΑΞΤΕ ΤΙΣ ΟΔΗΓΙΕΣ ΑΥΤΕΣ.

▲ΠΡΟΣΟΧΗ: Να χρησιμοποιείτε μόνο γνήσιες μπαταρίες της Makita. Η χρήση μη γνήσιων μπαταριών Makita, ή μπαταριών που έχουν τροποποιηθεί, μπορεί να έχει ως αποτέλεσμα τη ρύξη της μπαταρίας, προκαλώντας πυρκαγιά, προσωπικό τραυματισμό και βλάβη. Επίσης, θα ακυρωθεί η εγγύηση της Makita για το εργαλείο και φορτιστή Makita.

ΕΙΔΟΠΟΙΗΣΗ: Η Makita δεν είναι υπεύθυνη για οποιαδήποτε ατυχήματα προκύπτουν από τη χρήση μη γνήσιων μπαταριών Makita ή μπαταριών που έχουν τροποποιηθεί. Οι γνήσιες μπαταρίες Makita έχουν αξιολογηθεί ενδελεχώς όσον αφορά τη συμβατότητα με εργαλεία και φορτιστές Makita, σε συμμόρφωση με της ισχύουσας νομοθεσία και τα πρότυπα ασφάλειας.

Συμβουλές για τη διατήρηση της μέγιστης ζωής μπαταρίας

1. **Φορτίζετε την κασέτα μπαταριών πριν από την πλήρη αποφόρτίσή της. Πάντοτε να σταματάτε τη λειτουργία του εργαλείου και να φορτίξετε την κασέτα μπαταριών όταν παρατηρείτε μειωμένη ισχύ εργαλείου.**
2. **Ποτέ μην επαναφορτίζετε μια πλήρως φορτισμένη κασέτα μπαταριών.** Η υπερφόρτιση μειώνει την ωφέλιμη ζωή της μπαταρίας.
3. **Να φορτίζετε την κασέτα μπαταριών σε θερμοκρασία δωματίου, δηλαδή στους 10 °C έως 40 °C.** Αφήστε μια θερμή κασέτα μπαταριών να κρυώσει πριν την φορτίσετε.
4. **Όταν δεν χρησιμοποιείτε την κασέτα μπαταριών, αφαιρέστε την από το εργαλείο ή τον φορτιστή.**
5. **Να φορτίζετε την κασέτα μπαταριών εάν δεν τη χρησιμοποιείτε για μεγάλη χρονική περίοδο (πιο συχνότερο από έξι μήνες).**

ΠΕΡΙΓΡΑΦΗ ΛΕΙΤΟΥΡΓΙΑΣ

▲ΠΡΟΣΟΧΗ: Να φροντίζετε πάντα για την απενεργοποίηση του εργαλείου και την αφαίρεση της κασέτας μπαταρίας, πριν από οποιαδήποτε ρύθμιση ή έλεγχο της λειτουργίας του.

Τοποθέτηση ή αφαίρεση της κασέτας μπαταριών

▲ΠΡΟΣΟΧΗ: Να σβήνετε πάντα το εργαλείο πριν τοποθετήσετε ή αφαιρέσετε την κασέτα μπαταριών.

▲ΠΡΟΣΟΧΗ: Κρατήστε το εργαλείο και την κασέτα μπαταριών σταθερά κατά την τοποθέτηση ή αφαίρεση της κασέτας μπαταριών. Εάν δεν κρατάτε το εργαλείο και την κασέτα μπαταριών σταθερά μπορεί να γλιστρήσουν από τα χέρια σας και να προκληθεί βλάβη στο εργαλείο και την κασέτα μπαταριών και προσωπικός τραυματισμός.

Για να τοποθετήσετε την κασέτα μπαταριών, ευθυγραμμίστε τη γλώσσα στην κασέτα μπαταριών με την εγκοπή στο περίβλημα και ολισθήστε τη στη θέση της. Τοποθετήστε την μέχρι τέρμα μέχρι να ασφαλίσει στη θέση της, γεγονός που υποδεικνύεται με ένα χαρακτηριστικό ήχο. Αν μπορείτε να δείτε τον κόκκινο δείκτη όπως απεικονίζεται στην εικόνα, δεν έχει κλειδώσει τελείως.

Για να αφαιρέσετε την κασέτα μπαταριών, ολισθήστε την από το εργαλείο ενώ σύρετε το κουμπί στο μπροστινό μέρος της κασέτας.

► **Εικ.1:** 1. Κόκκινος δείκτης 2. Κουμπί 3. Κασέτα μπαταριών

▲ ΠΡΟΣΟΧΗ: Να τοποθετείτε πάντα την κασέτα μπαταριών πλήρως μέχρι να μη βλέπετε τον κόκκινο δείκτη. Εάν δεν ασφαλιστεί, μπορεί να πέσει από το εργαλείο τυχαία, προκαλώντας σωματική βλάβη σε εσάς ή κάποιον άλλο γύρω σας.

▲ ΠΡΟΣΟΧΗ: Μην τοποθετείτε την κασέτα μπαταριών με βία. Εάν η κασέτα δεν ολισθαίνει με ευκολία, τότε δεν έχει τοποθετηθεί κατάλληλα.

Εμφάνιση υπολειπόμενης χωρητικότητας μπαταρίας

Μόνο για κασέτες μπαταρίας με την ενδεικτική λυχνία

Πιέστε το κουμπί ελέγχου στην κασέτα μπαταριών για να υποδείξετε την υπολειπόμενη χωρητικότητα μπαταρίας. Οι ενδεικτικές λυχνίες ανάβουν για λίγα δευτερόλεπτα.

► **Εικ.2:** 1. Ενδεικτικές λυχνίες 2. Κουμπί ελέγχου

Ενδεικτικές λυχνίες			Υπολειπόμενη χωρητικότητα
Αναμμένες	Σβηστές	Αναβοσβήνουν	
■ ■ ■ ■	□ □ □ □	▲	75% έως 100%
■ ■ ■ □	□ □ □ □	▲	50% έως 75%
■ ■ □ □	□ □ □ □	▲	25% έως 50%
■ □ □ □	□ □ □ □	▲	0% έως 25%
▲	□ □ □ □	▲	Φορτίστε την μπαταρία.
■ ■ □ □	□ □ □ □	▲	Μπορεί να προέκυψε δυσλειτουργία στην μπαταρία.
□ □ ■ ■	□ □ □ □	▲	

ΠΑΡΑΤΗΡΗΣΗ: Ανάλογα με τις συνθήκες χρήσης και τη θερμοκρασία περιβάλλοντος, η ένδειξη μπορεί να διαφέρει λίγο από την πραγματική χωρητικότητα.

ΠΑΡΑΤΗΡΗΣΗ: Η πρώτη (τέρμα αριστερά) ενδεικτική λυχνία θα αναβοσβήνει όταν λειτουργεί το σύστημα προστασίας μπαταρίας.

Σύστημα προστασίας εργαλείου/ μπαταρίας

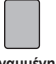







Το εργαλείο είναι εξοπλισμένο με σύστημα προστασίας εργαλείου/μπαταρίας. Αυτό το σύστημα αποκόπτει αυτόματα την ισχύ προς το μοτέρ για να παραταθεί η διάρκεια λειτουργίας του εργαλείου και της μπαταρίας. Το εργαλείο σταματάει αυτόματα κατά τη διάρκεια της λειτουργίας εάν το εργαλείο ή η μπαταρία βρεθούν κάτω

από τις παρακάτω συνθήκες. Σε μερικές συνθήκες, οι ενδείξεις ανάβουν.

► **Εικ.3:** 1. Λυχνία 2. Ένδειξη ισχύος/τρόπου λειτουργίας

ΠΑΡΑΤΗΡΗΣΗ: Ο σχεδιασμός του διακόπτη διαφέρει ανάλογα με την περιοχή κατοικίας σας.

Ένδειξη κατάστασης προστασίας

Λυχνία		Ένδειξη ισχύος/τρόπου λειτουργίας		Κατάσταση
 Αναμμένη	 Αναβοσβήνει	 Αναμμένη	 Αναβοσβήνει	
				
				Υπερφόρτιση
				Υπερθέρμανση

Προστασία υπερφόρτωσης

Όταν το εργαλείο/μπαταρία λειτουργεί με τρόπο που προκαλεί την κατανάλωση ενός ασυνήθιστα υψηλού ηλεκτρικού ρεύματος, το εργαλείο σταματάει αυτόματα. Σε αυτή την κατάσταση, σβήστε το εργαλείο και διακόψτε την εφαρμογή που προκαλεί την υπερφόρτωση του εργαλείου. Μετά, ενεργοποιήστε το εργαλείο για επανεκκίνηση.

Προστασία υπερθέρμανσης

Όταν το εργαλείο/μπαταρία υπερθερμαίνεται, το εργαλείο σταματάει αυτόματα. Σε αυτή την κατάσταση, αφήστε να μειωθεί η θερμοκρασία του εργαλείου πριν ενεργοποιήσετε ξανά το εργαλείο.

Προστασία υπερβολικής αποφόρτισης

Όταν η χωρητικότητα μπαταρίας είναι χαμηλή, η λειτουργία του εργαλείου σταματάει αυτόματα. Αν το προϊόν δεν τίθεται σε λειτουργία ακόμα και όταν πραγματοποιείται χειρισμός των διακοπών, βγάλτε την μπαταρία ή τις μπαταρίες από το εργαλείο και φορτίστε τις.

Προστασία και από άλλες αιτίες

Το σύστημα προστασίας έχει επίσης σχεδιαστεί για άλλες αιτίες που μπορούν να προκαλέσουν ζημιά στο εργαλείο και επιτρέπει την αυτόματη διακοπή του εργαλείου. Λάβετε όλα τα ακόλουθα βήματα για να διορθώσετε τις αιτίες, όταν το εργαλείο τεθεί σε προσωρινή διακοπή ή διακοπή κατά τη διάρκεια της λειτουργίας.

1. Βεβαιωθείτε ότι όλοι οι διακόπτες βρίσκονται στην ανενεργή θέση και, στη συνέχεια, ενεργοποιήστε ξανά το εργαλείο για επανεκκίνηση.
2. Φορτίστε την μπαταρία ή τις μπαταρίες ή αντικαταστήστε τις με επαναφορτιζόμενες μπαταρίες.
3. Αφήστε το εργαλείο και τις μπαταρίες να ψυχθούν.

Εάν δεν υπάρχει βελτίωση με την επαναφορά του συστήματος προστασίας, επικοινωνήστε με το τοπικό σας κέντρο εξυπηρέτησης της Makita.

Δράση διακόπτη τροφοδοσίας

ΠΡΟΣΟΧΗ: Πριν βάλετε την κασέτα μπαταρίας μέσα στο εργαλείο, να ελέγχετε πάντα να δείτε αν η σκανδάλη διακόπτης ενεργοποιείται κανονικά και επιστρέφει στη θέση «OFF» όταν ελευθερώνεται.

Για να ενεργοποιήσετε το εργαλείο, πατήστε παρατεταμένα το κουμπί κύριας λειτουργίας μέχρι να ανάψει η ένδειξη ισχύος.

Για να απενεργοποιήσετε το εργαλείο, πατήστε παρατεταμένα το κουμπί κύριας λειτουργίας μέχρι να σβήσει η ένδειξη ισχύος.

ΠΑΡΑΤΗΡΗΣΗ: Ο σχεδιασμός του διακόπτη διαφέρει ανάλογα με την περιοχή κατοικίας σας.

► **Εικ.4:** 1. Κουμπί κύριας λειτουργίας 2. Ένδειξη ισχύος

ΠΑΡΑΤΗΡΗΣΗ: Το εργαλείο δεν μπορεί να ενεργοποιηθεί εάν η σκανδάλη διακόπτης ή το στοιχείο επαφής είναι ενεργοποιημένο. Βεβαιωθείτε να αφήσετε τη σκανδάλη διακόπτη και το στοιχείο επαφής πριν ενεργοποιήσετε το εργαλείο.

ΠΑΡΑΤΗΡΗΣΗ: Το εργαλείο δεν μπορεί να απενεργοποιηθεί κατά το κάρφωμα συνδετήρων.

ΠΑΡΑΤΗΡΗΣΗ: Ο διακόπτης κύριας λειτουργίας θα τερματιστεί αυτόματα αν το εργαλείο παραμείνει χωρίς επιτήρηση για παρατεταμένη χρονική διάρκεια.



Επιλογή τρόπου λειτουργίας ενεργοποίησης

Ειδικό της χώρας

ΠΑΡΑΤΗΡΗΣΗ: Σε ορισμένες περιοχές ή χώρες διατίθεται μόνο μία λειτουργία κάρφωματος. Η σχεδίαση του διακόπτη ποικίλλει ανάλογα με την περιοχή κατοικίας σας.

Το εργαλείο χρησιμοποιεί σκανδάλη επιλεκτικής ενεργοποίησης. Πατήστε και κρατήστε για λίγο το κουμπί αλλαγής τρόπου λειτουργίας ενεργοποίησης για να επιλέξετε τον τρόπο λειτουργίας ενεργοποίησης που επιθυμείτε.

► **Εικ.5:** 1. Κουμπί αλλαγής τρόπου λειτουργίας ενεργοποίησης 2. Λειτουργία διαδοχικής ενεργοποίησης 3. Λειτουργία ενεργοποίησης επαφής

Διακόπτης τρόπου λειτουργίας	Τρόπος λειτουργίας ενεργοποίησης	Χαρακτηριστικό
	Πλήρης ακολουθιακή ενεργοποίηση	Καρφώνετε έναν συνδετήρα με διαδοχικό χειρισμό. Κατάλληλη για το κάρφωμα ενός συνδετήρα προσεκτικά και με ακρίβεια, και χρήσιμη όταν απαιτείται ακριβής τοποθέτηση των συνδετήρων.
	Ενεργοποίηση επαφής	Διατίθεται μεμονωμένο κάρφωμα ή συνεχόμενο κάρφωμα. Προτιμάται όταν απαιτείται ιδιαίτερως παραγωγική τοποθέτηση συνδετήρων.

 : Δεν διατίθεται σε μερικές περιοχές και χώρες.

ΠΑΡΑΤΗΡΗΣΗ: Ο τρόπος λειτουργίας ενεργοποίησης δεν μπορεί να αλλάξει σε άλλον εάν η σκανδάλη διακόπτης ή το στοιχείο επαφής είναι ενεργοποιημένο.

Ρύθμιση του βάθους καρφώματος

ΠΡΟΕΙΔΟΠΟΙΗΣΗ: Να βεβαιώνετε πάντα ότι τα δάχτυλά σας δεν είναι πάνω στη σκανδάλη διακόπτη ή στο στοιχείο επαφής και ότι η κασέτα μπαταριών έχει αφαιρεθεί πριν από τη ρύθμιση του βάθους καρφώματος.

Περιστρέψτε τον ρυθμιστή βάθους για να ρυθμίσετε το βάθος καρφώματος. Το βάθος καρφώματος γίνεται μεγαλύτερο καθώς περιστρέψετε τον ρυθμιστή βάθους προς την κατεύθυνση Α και μικρότερο προς την κατεύθυνση Β της εικόνας. Το εύρος ρύθμισης του βάθους καρφώματος είναι 8,0 mm.

► **Εικ.6:** 1. Ρυθμιστής βάθους

ΕΙΔΟΠΟΙΗΣΗ: Μην περιστρέψετε τον ρυθμιστή βάθους υπερβολικά, διαφορετικά ο ρυθμιστής βάθους μπορεί να κολλήσει.

Ρυθμίζετε το βάθος καρφώματος κατά το δοκούν.

► **Εικ.7:** 1. Πολύ βαθύ 2. Ισόπεδο 3. Πολύ ρηχό

Αναμμα της λάμπας

ΠΡΟΣΟΧΗ: Μην κοιτάζετε κατευθείαν μέσα στο φως ή στην πηγή φωτός.

Τραβήξτε τη σκανδάλη διακόπτη ή ενεργοποιήστε το στοιχείο επαφής για να ανάψει η λάμπα. Η λάμπα εξακολουθεί να είναι αναμμένη όσο τραβάτε τη σκανδάλη διακόπτη ή ενεργοποιείτε το στοιχείο επαφής. Η λάμπα σβήνει αρκετά δευτερόλεπτα αφού αφήσετε τη σκανδάλη διακόπτη και το στοιχείο επαφής.

► **Εικ.8:** 1. Σκανδάλη διακόπτης 2. Στοιχείο επαφής 3. Λάμπα

ΕΙΔΟΠΟΙΗΣΗ: Χρησιμοποιήστε ένα στεγνό πανί για να σκουπίσετε τη σκόνη από το φακό της λάμπας. Προσέχετε να μη γρατζουνίσετε το φακό της λάμπας, επειδή μπορεί να μειωθεί η ένταση του φωτισμού.

ΕΙΔΟΠΟΙΗΣΗ: Όταν το εργαλείο έχει υπερθερμανθεί, η λάμπα αναβοσβήνει. Σε αυτή την περίπτωση, αφήστε τη σκανδάλη διακόπτη και το στοιχείο επαφής και, στη συνέχεια, αφήστε το εργαλείο/μπαταρία να κρυώσει πριν το θέσετε ξανά σε λειτουργία.

ΠΑΡΑΤΗΡΗΣΗ: Το εργαλείο μπορεί να μην πυροδοτηθεί εάν μειωθεί το επίπεδο φόρτισης της μπαταρίας, ακόμη κι αν η λάμπα παραμένει αναμμένη. Σε αυτή την περίπτωση, φορτίστε την κασέτα μπαταριών.

ΣΥΝΑΡΜΟΛΟΓΗΣΗ

▲ ΠΡΟΣΟΧΗ: Να βεβαιώνετε πάντα ότι το εργαλείο είναι σβηστό και η κασέτα μπαταρίας έχει αφαιρεθεί πριν εκτελέσετε κάποια εργασία στο εργαλείο.

Τοποθέτηση/αφαίρεση των συνδετήρων

▲ ΠΡΟΣΟΧΗ: Να βεβαιώνετε πάντα ότι η κασέτα μπαταριών έχει αφαιρεθεί πριν τοποθετήσετε τους συνδετήρες. Η ακούσια πυροδότηση μπορεί να προκαλέσει τραυματισμούς και υλικές ζημιές.

▲ ΠΡΟΣΟΧΗ: Μη σύρετε απότομα την κυλιόμενη θύρα του καρφωτικού με τοποθετημένους συνδετήρες. Αν σας πέσουν κάτω συνδετήρες κατά λάθος, ειδικά όταν εργάζεστε σε υψηλά σημεία, μπορεί να προκληθούν τραυματισμοί.

▲ ΠΡΟΣΟΧΗ: Τοποθετείτε τους συνδετήρες προς τη σωστή κατεύθυνση. Εάν τοποθετηθούν προς τη λάθος κατεύθυνση, μπορεί να προκληθεί πρόωρη φθορά της μονάδας καρφώματος και ζημιά σε άλλα μέρη.

ΕΙΔΟΠΟΙΗΣΗ: Μη χρησιμοποιείτε παραμορφωμένους συνδετήρες και σειρές συνδετήρων. Χρησιμοποιείτε συνδετήρες που υποδεικνύονται σε αυτό το εγχειρίδιο. Εάν χρησιμοποιήσετε διαφορετικούς συνδετήρες από αυτούς που υποδεικνύονται, μπορεί να προκληθεί εμπλοκή των συνδετήρων και δυσλειτουργία.

1. Βγάλετε την κασέτα μπαταριών.
2. Πιέστε τον μοχλό και ανοίξτε την κυλιόμενη θύρα του γεμιστήρα.
► **Εικ.9:** 1. Μοχλός 2. Κυλιόμενη θύρα 3. Γεμιστήρας
3. Τοποθετήστε μια σειρά συνδετήρων, έτσι ώστε οι μύτες των συνδετήρων να βρίσκονται μεταξύ της πλάκας γεμιστήρα και του γεμιστήρα, και σύρετε τη σειρά συνδετήρων προς τον οδηγό της μονάδας καρφώματος.
► **Εικ.10:** 1. Σειρά συνδετήρων 2. Πλάκα γεμιστήρα 3. Γεμιστήρας 4. Οδηγός της μονάδας καρφώματος
4. Επιστρέψτε την κυλιόμενη θύρα στην αρχική θέση μέχρι να την ασφαλίσει ο μοχλός.

Για να αφαιρέσετε τους συνδετήρες, πιέστε τον μοχλό και σύρετε την κυλιόμενη θύρα. Βγάλετε τους συνδετήρες από τον γεμιστήρα.

Προσαρμογέας ρύγχους

▲ ΠΡΟΣΟΧΗ: Να βεβαιώνετε πάντα ότι τα δάχτυλά σας δεν είναι πάνω στη σκανδάλη διακόπτη ή στο στοιχείο επαφής, αφαιρέστε όλους τους συνδετήρες που έχουν απομείνει στον γεμιστήρα και αφαιρέστε την κασέτα μπαταριών πριν συνδέσετε ή αποσυνδέσετε τον προσαρμογέα ρύγχους.

Όταν καρφώνετε συνδετήρες σε υλικό με επιφάνειες που καταστρέφονται εύκολα, συνδέετε τον

προσαρμογέα ρύγχους στο στοιχείο επαφής.

Προσάρτηση του προσαρμογέα ρύγχους

Τοποθετήστε τον προσαρμογέα ρύγχους πάνω στο στοιχείο επαφής. Βεβαιωθείτε ότι ο προσαρμογέας ρύγχους φαρμάξοι απόλυτα όπως απεικονίζεται.

► **Εικ.11:** 1. Προσαρμογέας ρύγχους 2. Στοιχείο επαφής

Αποσύνδεση του προσαρμογέα ρύγχους

Ο προσαρμογέας ρύγχους μπορεί να αφαιρεθεί με το χέρι.

ΠΑΡΑΤΗΡΗΣΗ: Εάν δεν μπορείτε να αφαιρέσετε τον προσαρμογέα ρύγχους με το χέρι, εισαγάγετε το κατσαβίδι με επίπεδη μύτη ανάμεσα στον προσαρμογέα ρύγχους και το στοιχείο επαφής και αφαιρέστε τον προσαρμογέα ρύγχους.

► **Εικ.12:** 1. Προσαρμογέας ρύγχους 2. Στοιχείο επαφής 3. Κατσαβίδι με επίπεδη μύτη

ΠΑΡΑΤΗΡΗΣΗ: Μπορείτε να αποθηκεύσετε τον προσαρμογέα ρύγχους στον υποδοχέα, όπως φαίνεται στην εικόνα, για να μην χαθεί.

► **Εικ.13:** 1. Προσαρμογέας ρύγχους 2. Υποδοχέας

Γάντζος

▲ ΠΡΟΕΙΔΟΠΟΙΗΣΗ: Προσέξτε να μην ασκηθεί υπερβολική δύναμη στον γάντζο. Διαφορετικά, η μη φυσιολογική επιβάρυνση μπορεί να προκαλέσει ζημιά στο εργαλείο με αποτέλεσμα την πρόκληση τραυματισμού.

▲ ΠΡΟΣΟΧΗ: Μην κρεμάτε τον γάντζο από τη ζώνη μέσης. Αν σας πέσει το εργαλείο επειδή ο γάντζος βγήκε από τη θέση του κατά λάθος, μπορεί να προκληθεί ακούσια πυροδότηση και τραυματισμός.

► **Εικ.14**

▲ ΠΡΟΣΟΧΗ: Όταν τοποθετείτε το γάντζο, να τον ασφαλίσετε πάντα καλά με τη βίδα. Διαφορετικά, ο γάντζος μπορεί να βγει από το εργαλείο και να έχει ως αποτέλεσμα ατομικό τραυματισμό.

▲ ΠΡΟΣΟΧΗ: Χρησιμοποιείτε τα εξαρτήματα ανάρτησης/στέρωσης μόνο για τους σκοπούς για τους οποίους προορίζονται. Εάν χρησιμοποιηθούν για μη προβλεπόμενο σκοπό, μπορεί να προκληθεί ατύχημα ή τραυματισμός.

▲ ΠΡΟΣΟΧΗ: Κρεμάτε οπωσδήποτε το εργαλείο σταθερά πριν το αφήσετε ελεύθερο. Εάν δεν το κρεμάσετε καλά ή ισορροπημένα, μπορεί να πέσει κάτω και να τραυματιστείτε.

Ο γάντζος είναι πρακτικός για το προσωρινό κρέμασμα του εργαλείου. Κρεμάστε το εργαλείο με τον γάντζο σε ράφι, ράγα εργαλείων ή στον τοίχο.

Ο γάντζος μπορεί να τοποθετηθεί σε οποιαδήποτε πλευρά του εργαλείου.

Για να τοποθετήσετε τον γάντζο, βάλτε τον σε μια αυλάκωση στο περίβλημα του εργαλείου σε οποιαδήποτε πλευρά και μετά ασφαλίστε τον με τη βίδα, όπως φαίνεται στην εικόνα. Για να αφαιρέσετε τον γάντζο, ξεσφίξτε τη βίδα και μετά αφαιρέστε τον.

ΛΕΙΤΟΥΡΓΙΑ

Δοκιμή του συστήματος ασφάλειας

▲ ΠΡΟΕΙΔΟΠΟΙΗΣΗ: Να βεβαιώνετε ότι όλα τα συστήματα ασφάλειας βρίσκονται σε καλή κατάσταση πριν από την λειτουργία. Εάν δεν το κάνετε αυτό, μπορεί να προκληθούν ατομικοί τραυματισμοί.

► **Εικ.16:** 1. Σκανδάλη διακόπτης 2. Στοιχείο επαφής 3. Γεμιστήρας 4. Μοχλός

Δοκιμάστε το σύστημα ασφάλειας όπως περιγράφεται στη συνέχεια, για πιθανή βλάβη ή δυσλειτουργία πριν τη λειτουργία.

1. Αφαιρέστε την κασέτα μπαταριών από το εργαλείο. Στη συνέχεια, αφαιρέστε όλους τους συνδετήρες που έχουν απομείνει στον γεμιστήρα.
2. Τοποθετήστε την κασέτα μπαταριών στη θέση της και ενεργοποιήστε το εργαλείο.
3. Τραβήξτε τη σκανδάλη διακόπτη χωρίς να ακουμπάτε το στοιχείο επαφής επάνω στο υλικό.
4. Ανοίξτε τον γεμιστήρα και κρατήστε τον ανοιχτό. Στη συνέχεια, τοποθετήστε το στοιχείο επαφής επάνω στο υλικό χωρίς να τραβήξετε τη σκανδάλη διακόπτη.

Αν το εργαλείο λειτουργεί στην περίπτωση του βήματος 3 ή 4 που περιγράφεται παραπάνω, το σύστημα ασφαλείας δεν λειτουργεί σωστά. Διακόψτε αμέσως τη λειτουργία του εργαλείου και απευθυνθείτε στο τοπικό κέντρο σέρβις της Makita.

Χειρισμός των συνδετήρων

Καρφιά

Να χειρίζεστε τα καρφιά και το κουτί τους προσεκτικά. Αν ο χειρισμός των καρφιών γίνει με ακατάλληλο τρόπο, μπορεί να χάσουν το σχήμα τους ή να σπάσει το συνδετικό τους με αποτέλεσμα την ανεπαρκή τροφοδοσία καρφιών.

ΕΙΔΟΠΟΙΗΣΗ: Αποφύγετε να αποθηκεύετε καρφιά σε μέρη με πολύ υγρασία ή υψηλή θερμοκρασία ή σε μέρη που είναι εκτεθειμένα σε άμεση ηλιοβολή.

► **Εικ.17**

Κάρφωμα συνδετήρων

▲ ΠΡΟΕΙΔΟΠΟΙΗΣΗ: Κρατήστε το πρόσωπό σας μακριά από το εργαλείο κατά τη λειτουργία του. Αν δεν τηρείτε αυτή την οδηγία, μπορεί να προκληθεί τραυματισμός.

▲ ΠΡΟΕΙΔΟΠΟΙΗΣΗ: Μην χρησιμοποιείτε αυτό το εργαλείο για τη στερέωση ηλεκτρικών καλωδίων. Αυτό το εργαλείο δεν είναι σχεδιασμένο για την τοποθέτηση ηλεκτρικών καλωδίων και μπορεί να προκαλέσει ζημιά στη μόνωση των ηλεκτρικών καλωδίων με αποτέλεσμα να δημιουργηθεί κίνδυνος ηλεκτροπληξίας ή πυρκαγιάς.

▲ ΠΡΟΕΙΔΟΠΟΙΗΣΗ: Συνεχίστε να τοποθετείτε το στοιχείο επαφής σταθερά στο υλικό μέχρι το καρφί να καρφωθεί πλήρως. Η αθέλγητη τροφοδότηση μπορεί να προκαλέσει ατομικούς τραυματισμούς.

▲ ΠΡΟΣΟΧΗ: Κρατήστε το εργαλείο σταθερά κατά τη λειτουργία.

▲ ΠΡΟΣΟΧΗ: Μην καρφώνετε τους συνδετήρες σε σκληρά υλικά, όπως μέταλλο ή παρόμοιο υλικό. Αν ο συνδετήρας δεν μπορεί να διεισδύσει στο υλικό, το εργαλείο μπορεί να κλοτσήσει προς το μέρος σας και να σας τραυματίσει.

ΕΙΔΟΠΟΙΗΣΗ: Το εργαλείο δεν θα ξεκινήσει το κάρφωμα μετά από πέντε δευτερόλεπτα χωρίς λειτουργία διακόπτη, ενώ η σκανδάλη διακόπτη ή το στοιχείο επαφής ενεργοποιείται αποκλειστικά. Αφήστε τη σκανδάλη διακόπτη ή τραβήξτε το στοιχείο επαφής εντελώς από το τεμάχιο εργασίας και, στη συνέχεια, τοποθετήστε το εργαλείο εκ νέου σε μια θέση για να ξεκινήσει ξανά το κάρφωμα.

ΠΑΡΑΤΗΡΗΣΗ: Αν καρφώνετε καρφιά συνεχόμενα για πολλή ώρα, ο αέρας εξόδου θα ζεσταθεί λόγω της θερμότητας από το μοτέρ.

Το εργαλείο χρησιμοποιεί δύο ενέργειες καρφώματος: πλήρης διαδοχική ενεργοποίηση και ενεργοποίηση επαφής.

ΠΑΡΑΤΗΡΗΣΗ: Σε ορισμένες περιοχές ή χώρες παθίθεται μόνο μία λειτουργία καρφώματος (πλήρης διαδοχική ενεργοποίηση). Η σχεδίαση του διακόπτη ποικίλλει ανάλογα με την περιοχή κατοικίας σας.

Πλήρης ακολουθιακή ενεργοποίηση

Σε αυτή τη λειτουργία μπορείτε να καρφώνετε έναν συνδετήρα με διαδοχικό χειρισμό.

Για να ενεργοποιηθεί το εργαλείο, απαιτείται επαφή με το τεμάχιο εργασίας και, στη συνέχεια, ενεργοποίηση μιας σκανδάλης με συγκεκριμένη σειρά. Απενεργοποιείτε και επανενεργοποιείτε τα χειριστήρια διακόπτη με την ίδια σειρά για να συνεχίσετε να καρφώνετε συνδετήρες.

1. Πατήστε παρατεταμένα το κουμπί κύριας λειτουργίας για να ενεργοποιήσετε το εργαλείο.

2. Βεβαιωθείτε ότι η λυχνία τρόπου λειτουργίας ακολουθιακής ενεργοποίησης ανάβει.

► **Εικ.18:** 1. Κουμπί κύριας λειτουργίας 2. Λυχνία

τρόπου λειτουργίας ακολουθιακής ενεργοποίησης

3. Τοποθετήστε το στοιχείο επαφής επίπεδα στο υλικό.

► **Εικ.19:** 1. Στοιχείο επαφής

4. Τραβήξτε μέχρι τέρμα τη σκανδάλη διακόπτη για να καρφώσετε έναν συνδετήρα.

► **Εικ.20:** 1. Σκανδάλη διακόπτης

5. Αφήστε το δάκτυλό σας από τη σκανδάλη διακόπτη. Στη συνέχεια, ανυψώστε το στοιχείο επαφής από το υλικό.

Για να καρφώσετε τον επόμενο συνδετήρα, επαναλάβετε τα βήματα 3 έως 5 με την ίδια σειρά.

Ενεργοποίηση επαφής

Ειδικό της χώρας

Σε αυτή τη λειτουργία μπορείτε να επιλέξετε είτε συνεχόμενο είτε μεμονωμένο κάρφωμα ακολουθώντας τις διαδικασίες χειρισμού της σκανδάλης.

Για να ενεργοποιηθεί το εργαλείο, απαιτείται επαφή με το τεμάχιο εργασίας και ενεργοποίηση μια σκανδάλης με οποιαδήποτε σειρά. Απενεργοποιείτε και επανεργοποιείτε την επαφή με το τεμάχιο εργασίας για να καρφώνετε συνεχόμενα συνδετήρες.

Για μεμονωμένο κάρφωμα

1. Πατήστε παρατεταμένα το κουμπί κύριας λειτουργίας για να ενεργοποιήσετε το εργαλείο.

2. Πατήστε και κρατήστε για λίγο το κουμπί αλλαγής τρόπου λειτουργίας ενεργοποίησης για να επιλέξετε τον τρόπο λειτουργίας ενεργοποίησης επαφής.

Ανάβει η λυχνία τρόπου λειτουργίας ενεργοποίησης επαφής.

► **Εικ.21:** 1. Κουμπί αλλαγής τρόπου λειτουργίας ενεργοποίησης 2. Λυχνία τρόπου ενεργοποίησης επαφής

3. Τοποθετήστε το στοιχείο επαφής επίπεδα στο υλικό.

4. Τραβήξτε μέχρι τέρμα τη σκανδάλη διακόπτη για να καρφώσετε έναν συνδετήρα.

5. Αφήστε το δάκτυλό σας από τη σκανδάλη διακόπτη. Στη συνέχεια, ανυψώστε το στοιχείο επαφής από το υλικό.

Για να καρφώσετε τον επόμενο συνδετήρα, επαναλάβετε τα βήματα 3 έως 5 με την ίδια σειρά.

Για συνεχόμενο κάρφωμα

1. Πατήστε παρατεταμένα το κουμπί κύριας λειτουργίας για να ενεργοποιήσετε το εργαλείο.

2. Πατήστε και κρατήστε για λίγο το κουμπί αλλαγής τρόπου λειτουργίας ενεργοποίησης για να επιλέξετε τον τρόπο λειτουργίας ενεργοποίησης επαφής.

Ανάβει η λυχνία τρόπου λειτουργίας ενεργοποίησης επαφής.

3. Τραβήξτε τη σκανδάλη διακόπτη.

► **Εικ.22:** 1. Σκανδάλη διακόπτης

4. Τοποθετήστε το στοιχείο επαφής επίπεδα επάνω στο υλικό για να καρφώσετε έναν συνδετήρα.

5. Μετακινήστε το εργαλείο στις επόμενες περιοχές με τη σκανδάλη διακόπτη τραβηγμένη και τοποθετήστε

το στοιχείο επαφής επίπεδα επάνω στο υλικό για να καρφώσετε τους επόμενους συνδετήρες.

► **Εικ.23:** 1. Σκανδάλη διακόπτης 2. Στοιχείο επαφής

Μηχανισμός προστασίας από το κενό κάρφωμα

Εάν οι εναπομείναντες συνδετήρες στον γεμιστήρα μειωθούν σε 5 - 7 τεμάχια, δεν μπορείτε πλέον να ενεργοποιήσετε τον διακόπτη και το εργαλείο σταματά την πυροδότηση. Τοποθετήστε μια καινούρια σειρά συνδετήρων στον γεμιστήρα πριν από την επανεκκίνηση της λειτουργίας.

Έλεγχος των εναπομείναντων συνδετήρων

Μπορείτε να ελέγξετε την ποσότητα των εναπομείναντων συνδετήρων από το παράθυρο ελέγχου.

Η ένδειξη μετακινείται προς το άνοιγμα πυροδότησης καθώς μειώνεται η ποσότητα των εναπομείναντων συνδετήρων.

► **Εικ.24:** 1. Παράθυρο ελέγχου 2. Ένδειξη

Αφαίρεση μπλοκαρισμένων συνδετήρων

▲ ΠΡΟΕΙΔΟΠΟΙΗΣΗ: Να βεβαιώνετε πάντα ότι η κασέτα μπαταριών και οι συνδετήρες έχουν αφαιρεθεί πριν αφαιρέσετε τους μπλοκαρισμένους συνδετήρες.

▲ ΠΡΟΕΙΔΟΠΟΙΗΣΗ: Μην πιέζετε τη μονάδα καρφώματος συνδετήρων με δύναμη. Μην χτυπάτε τη μονάδα καρφώματος συνδετήρων και τους συνδετήρες με εργαλεία χειρός για να διορθώσετε τυχόν εμπλοκές. Λάβετε υπόψη ότι το εργαλείο λειτουργεί με πεπιεσμένο αέρα και ότι στο εσωτερικό του υπάρχει πίεση. Αν δεν τηρηθούν οι προφυλάξεις ασφαλείας του εγχειριδίου, μπορεί να προκληθεί σοβαρός τραυματισμός.

▲ ΠΡΟΕΙΔΟΠΟΙΗΣΗ: Μην στρέφετε ποτέ το εργαλείο προς τα μέρος σας ή προς άλλα κοντινά άτομα όταν εκκαθαρίζετε εμπλοκές. Εάν δεν συμμορφωθείτε, μπορεί να προκληθεί κίνδυνος τραυματισμού λόγω λανθασμένης πυροδότησης επειδή το εργαλείο είναι φορτισμένο με πεπιεσμένο αέρα σε έναν εργασιαστικά σφραγισμένο θάλαμο.

▲ ΠΡΟΣΟΧΗ: Μην αφαιρείτε τους μπλοκαρισμένους συνδετήρες με γυμνά χέρια. Ο συνδετήρας μπορεί να πεταχτεί έξω από τον γεμιστήρα και να προκαλέσει τραυματισμό.

▲ ΠΡΟΣΟΧΗ: Για την αντιμετώπιση καταστάσεων συχνών εμπλοκών ή δύσκολων εμπλοκών, συμβουλευτείτε το τοπικό σας κέντρο σέρβις της Makita.

▲ ΠΡΟΣΟΧΗ: Ασφαλίστε οπωσδήποτε το μάνδαλο αφού αφαιρέσετε τους μπλοκαρισμένους συνδετήρες.

Εάν μπλοκάρει κάποιος συνδετήρας, ελέγξτε σχολαστικά την τροφοδοσία των συνδετήρων και τη μονάδα καρφώματος. Οι εμπλοκές οφείλονται κυρίως σε

συνδετήρες που έχουν σφηνώσει ανάμεσα στη μονάδα καρφώματος των συνδετήρων και τον οδηγό κάτω από τη μονάδα καρφώματος.

Για να διορθώσετε μια εμπλοκή, απασφαλίστε το μάνδαλο και ανοίξτε τον οδηγό της μονάδας καρφώματος. Αφαιρέστε τους μπλοκαρισμένους συνδετήρες και ασφαλίστε το μάνδαλο.

► **Εικ.25:** 1. Μάνδαλο 2. Οδηγός κάτω από τη μονάδα καρφώματος 3. Οδηγός μονάδας καρφώματος

ΣΥΝΤΗΡΗΣΗ

⚠ ΠΡΟΕΙΔΟΠΟΙΗΣΗ: Μην αποσυναρμολογήσετε αυτό το εργαλείο. Αυτό το εργαλείο είναι στεγανοποιημένο με πεπιεσμένο αέρα, και η αποσυναρμολόγηση ενδέχεται να προκαλέσει σοβαρό τραυματισμό.



⚠ ΠΡΟΣΟΧΗ: Πριν την εκτέλεση εργασιών επιθεώρησης ή συντήρησης, πάντοτε να βεβαιώνεστε ότι η συσκευή απενεργοποιήθηκε και η κασέτα μπαταριών έχει αφαιρεθεί.

ΕΙΔΟΠΟΙΗΣΗ: Μην χρησιμοποιείτε ποτέ βενζίνη, πετρελαϊκό αιθέρα, διαλυτικό, αλκοόλη ή παρόμοιες ουσίες. Μπορεί να προκληθεί αποχρωματισμός, παραμόρφωση ή ρωγμές.

Για τη διατήρηση της ΑΣΦΑΛΕΙΑΣ και ΑΞΙΟΠΙΣΤΙΑΣ του προϊόντος, οι επισκευές και οποιαδήποτε άλλη εργασία συντήρησης ή ρύθμισης πρέπει να εκτελούνται από εξουσιοδοτημένα ή εργοστασιακά κέντρα εξυπηρέτησης της Makita, χρησιμοποιώντας πάντοτε ανταλλακτικά της Makita.

Αρχικοποίηση της θέσης μονάδας καρφώματος

Η μονάδα καρφώματος μπορεί να μην έχει τοποθετηθεί σωστά πίσω από τον συνδετήρα που προορίζεται για κάρφωμα ακριβώς μετά από μια εμπλοκή συνδετήρα ή όταν το επίπεδο φόρτισης μπαταρίας είναι χαμηλό. Εκτελείτε πάντα τα βήματα αρχικοποίησης πριν από την επανεκκίνηση της λειτουργίας.

1. Αφαιρέστε την κασέτα μπαταριών από το εργαλείο.
2. Βγάλτε όλους τους συνδετήρες που έχουν απομείνει στον γεμιστήρα.
3. Παρατηρήστε τη θέση της μονάδας καρφώματος.

Αν δείτε τη μύτη της μονάδας καρφώματος έξω από τον οδηγό της μονάδας καρφώματος, το στοιχείο επαφής δεν μπορεί να ενεργοποιηθεί σωστά κατά τη διάρκεια της αρχικοποίησης.

► **Εικ.26:** 1. Μονάδα καρφώματος 2. Οδηγός μονάδας καρφώματος

Περιστρέψτε τον ρυθμιστή βάθους για να τον ρυθμίσετε στο μικρότερο βάθος, έτσι ώστε το στοιχείο επαφής να λειτουργήσει σωστά.

► **Εικ.27:** 1. Ρυθμιστής βάθους

4. Τοποθετήστε την κασέτα μπαταριών στη θέση της και ενεργοποιήστε το εργαλείο.

5. Ανοίξτε τον γεμιστήρα και κρατήστε τον ανοιχτό. Στη συνέχεια, τοποθετήστε το στοιχείο επαφής επάνω στο υλικό που μπορεί να υποστεί ζημιά.

6. Τραβήξτε πλήρως τη σκανδάλη διακόπτη, με το στοιχείο επαφής ενεργοποιημένο, για να επαναφέρετε τη θέση της μονάδας καρφώματος.

► **Εικ.28:** 1. Γεμιστήρας 2. Στοιχείο επαφής 3. Σκανδάλη διακόπτη

Η θέση μονάδας καρφώματος θα αρχικοποιηθεί σωστά.

7. Αφαιρέστε την κασέτα μπαταριών από το εργαλείο. Επανατοποθετήστε τους συνδετήρες στον γεμιστήρα. Τοποθετήστε ξανά την κασέτα μπαταριών στο εργαλείο.

ΠΡΟΑΙΡΕΤΙΚΑ ΕΞΑΡΤΗΜΑΤΑ

⚠ ΠΡΟΣΟΧΗ: Αυτά τα εξαρτήματα ή προσαρτήματα συνιστώνται για χρήση με το εργαλείο Makita που περιγράφηκε στις οδηγίες αυτές. Η χρήση οποιωνδήποτε άλλων εξαρτημάτων ή προσαρτημάτων μπορεί να προκαλέσει κίνδυνο τραυματισμού σε άτομα. Να χρησιμοποιείτε τα εξαρτήματα ή προσαρτήματα μόνο για την χρήση που προορίζονται.

Εάν χρειάζεστε οποιαδήποτε βοήθεια για περισσότερες πληροφορίες σε σχέση με αυτά τα εξαρτήματα, απευθυνθείτε στο τοπικό σας κέντρο εξυπηρέτησης Makita.

- Καρφιά
- Γνήσια μπαταρία και φορτιστής της Makita

ΠΑΡΑΤΗΡΗΣΗ: Μερικά στοιχεία στη λίστα μπορεί να συμπεριλαμβάνονται στη συσκευασία εργαλείου ως στάνταρ εξαρτήματα. Μπορεί να διαφέρουν ανάλογα τη χώρα.

TEKNİK ÖZELLİKLER

Model:	DBN501
Çivi boyutu	18 Ga x 15 / 20 / 25 / 30 / 32 / 35 / 38 / 40 / 45 / 50 mm
Hazne kapasitesi	110 adet
Boyutlar (U x G x Y) ^{1 2}	246 mm x 96 mm x 301 mm
Anma voltajı	D.C. 18 V
Net ağırlık	2,7 - 3,0 kg

¹ kancasız

²BL1820B ile

NOT: Bu kullanma kılavuzunda çiviler, aksi belirtilmedikçe “tespit elemanı” olarak ifade edilmiştir.

- Sürekli yapılan araştırma ve geliştirmelerden dolayı, burada belirtilen özellikler önceden bildirilmeksizin değiştirilebilir.
- Özellikler ülkeden ülkeye değişebilir.
- Net ağırlık değeri, kullanma kılavuzunda belirtilen ek parçanın/parçaların ve batarya kartuşunun/kartuşlarının en hafif ve en ağır kombinasyonunu içerir.

Geçerli batarya kartuşu ve şarj aleti

Batarya kartuşu	BL1815N / BL1820B / BL1830B / BL1840B / BL1850B / BL1860B
Şarj aleti	DC18RC / DC18RD / DC18RE / DC18SD / DC18SE / DC18SF / DC18SH / DC18WC

- Yukarıda listelenen batarya kartuşlarının ve şarj aletlerinin bazıları yaşadığınız bölgeye bağlı olarak mevcut olmayabilir.

⚠UYARI: Sadece yukarıda listelenen batarya kartuşlarını ve şarj aletlerini kullanın. Başka batarya kartuşlarının ve şarj aletlerinin kullanılması yaralanma ve/veya yangına neden olabilir.

Semboller

Ekipmanı için kullanılacak semboller aşağıda gösterilmiştir. Kullanmadan önce anlamlarını anladığınızdan emin olun.



Kullanma kılavuzunu okuyun.



Koruyucu gözlük takın.



Kulak koruyucuları takın.



İskelelerde, merdivenlerde kullanmayın.



Kazara atış yapılmasını engellemek için tespit elemanı çakılmazken parmakları tetikten uzak tutun.



Ni-MH
Li-ion

Sadece AB ülkeleri için
Ekipmanda tehlikeli bileşenler bulunduğundan dolayı atık elektrikli ve elektronik ekipmanlar, aküler ve bataryalar çevre ve insan sağlığı üzerinde olumsuz etkiye yol açabilir.
Elektrikli ve elektronik cihazları veya bataryaları evsel atıklarla birlikte atmayın!
Atık elektrikli ve elektronik ekipmanlar ile akümülatörler ve bataryalar hakkındaki Avrupa Direktifi ve söz konusu direktifin ulusal yasalara uyarlanması gereğince atık elektrikli ekipmanlar, bataryalar ve akümülatörler ayrı olarak depolanmalı ve çevre koruma hakkındaki mevzuata uygun olarak faaliyet gösteren ayrı bir kentsel atık toplama noktasına teslim edilmelidir.
Bu husus, ekipmanın üzerine yerleştirilmiş üzerinde çarpı işareti bulunan tekerlekli çöp kovası simgesi ile belirtilmiştir.

Kullanım amacı

Bu alet, iç mekanlardaki işlerde ve mobilya işlerinde sabitleme işlemleri için tasarlanmıştır.

Gürültü

Tipik A-ağırlıklı gürültü düzeyi (EN60745-2-16 standardına göre belirlenen):
Ses basınç seviyesi (L_{PA}): 82 dB (A)
Ses gücü düzeyi (L_{WA}): 93 dB (A)

Belirsizlik (K): 3 dB (A)

NOT: Beyan edilen gürültü emisyonu değer(ler)i bir standart test yöntemine uygun şekilde ölçülmüştür ve bir aleti bir başkasıyla karşılaştırmak için kullanılabilir.

NOT: Beyan edilen gürültü emisyonu değer(ler) i bir ön maruz kalma değerlendirmesi olarak da kullanılabilir.

UYARI: Kulak koruyucuları takın.

UYARI: Elektrikli aletin gerçek kullanımı sırasındaki gürültü emisyonu aletin kullanım biçimlerine bağlı olarak beyan edilen toplam değer(ler) den farklı olabilir.

UYARI: Gerçek kullanım koşullarındaki tahmini maruziyeti baz alan, operatörü koruyacak güvenlik önlemlerini mutlaka belirleyin (çalışma döngüsü içerisinde aletin kapalı olduğu ve aktif durumda olmasının yanı sıra boşta çalıştığı zamanlar gibi, bütün zaman dilimleri göz önünde bulundurarak).

Titreşim

EN60745-2-16 uyarınca hesaplanan titreşim toplam değeri:

Titreşim emisyonu (a_{h1}): 2,5 m/s² den az
Belirsizlik (K) : 1,5 m/s²

NOT: Beyan edilen titreşim toplam değer(ler)i bir standart test yöntemine uygun şekilde ölçülmüştür ve bir aleti bir başkasıyla karşılaştırmak için kullanılabilir.

NOT: Beyan edilen titreşim toplam değer(ler)i bir ön maruz kalma değerlendirmesi olarak da kullanılabilir.

UYARI: Elektrikli aletin gerçek kullanımı sırasındaki titreşim emisyonu aletin kullanım biçimlerine bağlı olarak beyan edilen toplam değer(ler) den farklı olabilir.

UYARI: Gerçek kullanım koşullarındaki tahmini maruziyeti baz alan, operatörü koruyacak güvenlik önlemlerini mutlaka belirleyin (çalışma döngüsü içerisinde aletin kapalı olduğu ve aktif durumda olmasının yanı sıra boşta çalıştığı zamanlar gibi, bütün zaman dilimleri göz önünde bulundurarak).

Uygunluk Beyanları

Sadece Avrupa ülkeleri için

Uygunluk beyanları bu kullanma kılavuzuna Ek A olarak eklenmiştir.

GÜVENLİK UYARILARI

Genel elektrikli alet güvenliği uyarıları

UYARI Bu elektrikli aletle birlikte verilen tüm güvenlik uyarılarını, talimatları, resimli açıklamaları ve teknik özellikleri okuyun. Aşağıda listelenen

talimatların herhangi birine uyulmaması elektrik çarpması, yangın ve/veya ciddi yaralanma ile sonuçlanabilir.

Tüm uyarıları ve talimatları iletide başvurmak için saklayın.

Uyarılardaki "elektrikli alet" terimi ile ya prizden çalışan (kordonlu) elektrikli aletiniz ya da kendi aküsü ile çalışan (kordonsuz) elektrikli aletiniz kastedilmektedir.

Akülü çivi çakma tabancası güvenlik uyarıları

- Daima alette tespit elemanı olduğunu varsayın.** Çivi çakma tabancasının dikkatsiz bir şekilde kullanılması tespit elemanlarının beklenmedik bir şekilde atılması ve kişisel yaralanmayla sonuçlanabilir.
- Aleti kendinize ya da yakınınızdaki insanlara doğrultmayın.** Beklenmedik tetikleme, tespit elemanının fırlayarak yaralanmaya sebep olmasına yol açabilir.
- Aleti iş parçasına sıkıca dayamadan aleti çalıştırmayın.** Alet iş parçası ile temas halinde değilse, tespit elemanı hedefinizden sapabilir.
- Tespit elemanı alet içinde sıkıştığı zaman aleti güç kaynağından ayırın.** Sıkışmış bir tespit elemanı çıkarılırken alet fişe takılı olduğunda, çivi çakma tabancası kazara çalışabilir.
- Sıkışmış bir tespit elemanını çıkarırken dikkatli olun.** Mekanizma basıncı altında olabilir ve sıkışma durumunu gidermeye çalışırken gücün etkisiyle tespit elemanı fırlayabilir.
- Bu çivi çakma tabancasını elektrik kablolarını sabitlemek için kullanmayın.** Elektrik kablosu montajı için tasarlanmamıştır ve elektrik kablolarının yalıtımlarına hasar vererek elektrik çarpmasına veya yangına neden olabilir.
- Gözlerinizi tozdan ve bağlantı elemanı yaralanmalarından korumak için daima güvenlik gözlüğü takın.**
- Ellerinizi ve ayaklarınızı çıkış ağzının olduğu alandan uzak tutun.**
- Tespit elemanlarını yüklemeyen, ayarlamadan, denetlemeden, bakım yapmadan önce veya kullanım bittikten sonra daima batarya kartuşunu çıkarın.**
- Çalıştırmadan önce etrafta kimse olmadığından emin olun.** Aynı anda duvarın hem içinden hem de dışından tespit elemanı çakmaya asla çalışmayın. Tespit elemanları yırtıp çakarak ve/veya dışarı fırlayarak ciddi tehlike oluşturabilir.
- Duruşunuza dikkat edin ve aleti dengeli tutun.** Yüksek yerlerde çalışırken aşağıda kimse olmadığından emin olun.
- "İskelelerde, merdivenlerde kullanmayın"** simgesini taşıyan bağlantı elemanı vidalama aletlerini, kesinlikle aşağıda örnekleri verilen özel uygulamalarda kullanmayın:
 - bir vidalama konumundan diğerine değişimin, iskeleler, basamaklar, merdivenler veya çatı tahtaları gibi merdiven benzeri yapıların kullanılmasını içermesi;
 - kutuların veya sandıkların kapatılması;
 - araçlardaki ve vagonlardaki taşıma emniyet

sistemlerinin sabitlenmesi.

13. Akım geçen tellere, kablo kanallarına veya gaz borularına zımbalamanın neden olabileceği olası bir elektrik şokunu, gaz kaçağını, patlamaları vs. önlemek için duvarları, tavanı, zemini, çatıyı ve bunun gibi yerleri dikkatle kontrol edin.
14. Sadece bu kılavuzda belirtilen tespit elemanlarını kullanın. Başka tespit elemanlarının kullanılması aletin arızalanmasına neden olabilir.
15. Alette bir değişiklik yapmayın veya aleti tespit elemanı basmak dışında bir amaçla kullanmaya çalışmayın.
16. Aleti tespit elemanları olmadan çalıştırmayın. Bunu yapmak aletin ömrünü kısaltır.
17. Eğer alette bir terslik veya normal dışı bir durum fark ederseniz, çalışmayı hemen durdurun.
18. Tespit elemanının yırtıp geçebileceği ve içinden fırlayıp uçabileceği malzemelere asla zımbalama yapmayın.
19. İş parçalarını tespit etmeye hazır olmadan, anahtar tetiği ve temas elemanını asla aynı anda etkinleştirmeyin. İş parçasının temas elemanına temas etmesini sağlayın. Asla temas elemanını geriye sabitleyerek ya da elinizle bastırarak kullanım dışı bırakmayın.
20. Temas elemanı üzerinde asla değişiklik yapmayın. Temas elemanının doğru çalışıp çalışmadığını sık sık kontrol edin.
21. Alet kullanımda değilken, daima tespit elemanlarını çıkarın.
22. Mıknatıs veya benzeri manyetik cihazları alete çok yaklaştırmayın. Aletteki manyetik sensörü etkileyebilir.

BU TALİMATLARI SAKLAYIN.

⚠UYARI: Ürünü kullanırken (defalarca kullanınca kazanılan) rahatlık ve tanıdıklık duygusunun ilgili ürünün güvenli kurallarına sıkı sıkıya bağlı kalmanızı yerine geçmesine İZİN VERMEYİN. YANLIŞ KULLANIM veya bu kullanma kılavuzunda belirtilen emniyet kurallarına uymama ciddi yaralanmaya neden olabilir.

Batarya kartuşu hakkında önemli güvenlik talimatları

1. Batarya kartuşunu kullanmadan önce, tüm talimatları ve (1) batarya kartuşu, (2) batarya ve (3) ürün üzerindeki tüm uyarı işaretlerini okuyun.
2. Batarya kartuşunu parçalarına ayırmayın veya kurcalamayın. Yangın, aşırı ısı veya patlamaya neden olabilir.
3. Çalışma süresi aşırı derecede kısalmışsa kullanmayı derhal bırakın. Aşırı ısınma, yanma riski hatta patlamaya neden olabilir.
4. Gözünüze elektrolit kaçarsa, gözlerinizi temiz suyla durulayın ve hemen tıbbi yardım alın. Görme kaybına yol açabilir.
5. Batarya kartuşuna kısa devre yaptırmayın:
 - (1) Terminallere herhangi bir iletken madde değdirmeyin.

- (2) Batarya kartuşunu çiviler, madeni paralar, vb. gibi başka metal nesnelere aynı kaba koymaktan kaçının.
- (3) Batarya kartuşunu yağmura ya da suya maruz bırakmayın.

Kısa devre, büyük bir akım akışına, aşırı ısınmaya, olası yanıklara hatta bataryanın bozulmasına yol açabilir.

6. Aleti ve batarya kartuşunu sıcaklığın 50°C ya da daha yüksek ulaştığı yerlerde saklamayın ve kullanmayın.
7. Aşırı derecede hasar görmüş ya da tamamen kullanılamaz durumda olsa bile batarya kartuşunu yakmayın. Batarya kartuşu ateşe atılırsa patlayabilir.
8. Batarya kartuşunu çivilemeyin, kesmeyin, ezmeyin, fırlatmayın, düşürmeyin ya da batarya kartuşuna sert bir nesne ile vurmuyun. Bu eylemler yangın, aşırı ısı veya patlamaya neden olabilir.
9. Hasarlı bataryayı kullanmayın.
10. Aletin içerdiği lityum-iyon bataryalar Tehlikeli Eşyalar Yönetmeliğinin gereksinimlerine tabidir. Ticari nakliye işlemleri için, örneğin üçüncü taraflar, nakliye acenteleri tarafından yapılan nakliyelerde, paketleme ve etiketleme gereksinimlerine uyulmalıdır. Nakliyesi yapılacak ürünün hazırlanması için, tehlikeli maddeler konusunda uzman bir kişiye danışın. Lütfen muhtemelen daha ayrıntılı olan ulusal yönetmeliklere de uyun. Açık kontakları bantlayın ya da maskeleyin ve bataryayı paketin içinde hareket etmeyecek şekilde paketleyin.
11. Batarya kartuşunu bertaraf ederken aletten çıkarın ve güvenli bir yerde bertaraf edin. Bataryanın bertaraf edilmesi ile ilgili yerel düzenlemelere uyunuz.
12. Bataryaları sadece Makita tarafından belirtilen ürünlerle kullanın. Bataryaların uyumsuz ürünlere takılması; yangın, aşırı ısınma, patlama ya da elektrolit sızıntısına neden olabilir.
13. Alet uzun süre kullanılmayacaksa batarya aletten çıkarılmalıdır.
14. Kullanma sırasında ve sonrasında batarya kartuşu ısınarak yanıklara veya düşük sıcaklık yanıklarına yol açabilir. Sıcak batarya kartuşları ile işlem yaparken dikkat edin.
15. Yanıklara neden olabilecek kadar sıcak olabileceğinden kullandıktan hemen sonra aletin terminaline dokunmayın.
16. Batarya kartuşunun terminallerine, deliklerine ve kanallarına micir, toz veya toprak girmesine izin vermeyin. Aletin veya batarya kartuşunun ısınmasına, alev almasına, patlamasına ve arızalanmasına neden olarak yanıklara veya yaralanmaya yol açabilir.
17. Alet yüksek gerilim elektrik güç hatları yakınında kullanımı desteklemediği sürece batarya kartuşunu yüksek gerilim elektrik güç hatlarının yakınında kullanmayın. Aletin veya batarya kartuşunun arızalanmasına veya bozulmasına neden olabilir.
18. Bataryayı çocuklardan uzak tutun.

BU TALİMATLARI MUHAFAZA EDİNİZ.

⚠️ DİKKAT: Sadece orijinal Makita bataryalarını kullanın. Orijinal olmayan Makita bataryaları ya da üzerine değişiklik yapılmış bataryaların kullanımı bataryanın patlamasına ve sonuç olarak yangın, kişisel yaralanma ve hasara neden olabilir. Ayrıca Makita aleti ve şarj aletinin Makita tarafından sunulan garantisini de geçersiz olur.

ÖNEMLİ NOT: Makita, orijinal olmayan Makita bataryaların veya modifiye edilmiş bataryaların kullanılmasından kaynaklanan kazalardan sorumlu değildir. Orijinal Makita bataryalar, ilgili mevzuat ve güvenlik standartlarına uygun olarak, Makita aletler ve şarj cihazlarıyla uyumluluk için titizlikle değerlendirilmiştir.

Maksimum batarya ömrü için ipuçları

1. Batarya kartuşunu tamamen boşalmadan önce şarj edin. Aletin gücünün zayıflamaya başladığını fark ettiğinizde aleti durdurun ve batarya kartuşunu şarj edin.
2. Tam dolu bir batarya kartuşunu asla yeniden şarj etmeyin. Aşırı şarj etme bataryanın hizmet ömrünü kısaltır.
3. Batarya kartuşunu 10 °C - 40 °C oda sıcaklığında şarj edin. Sıcak bir batarya kartuşunu şarj etmeden önce soğumasını bekleyin.
4. Batarya kartuşunu kullanılmıyorken aletten veya şarj aletinden çıkarın.
5. Uzun bir süre (altı aydan daha fazla) kullanmadığınız durumlarda batarya kartuşunu şarj edin.

İŞLEVSEL NİTELİKLER

⚠️ DİKKAT: Alet üzerinde ayarlama veya işleyiş kontrolü yapmadan önce aletin kapalı ve batarya kartuşunun ayrılmış olduğundan daima emin olun.

Batarya kartuşunun takılması ve çıkarılması

⚠️ DİKKAT: Batarya kartuşunu takmadan ya da çıkarmadan önce aleti daima kapatın.

⚠️ DİKKAT: Batarya kartuşunu takarken veya çıkarırken aleti ve batarya kartuşunu sıkıca tutun. Aletin ve batarya kartuşunun sıkıca tutulmaması bunların düşürülmesine sebep olabilir ve alet ve batarya kartuşunun zarar görmesine ya da ciddi yaralanmasına yol açabilir.

Batarya kartuşunu takmak için, batarya kartuşu üzerindeki dili yuvanın oluğu ile hizalayın ve kartuşu yerine oturtun. Kartuşu, küçük bir tık sesi ile yerine sabitlenene dek sonuna kadar itin. Şekilde gösterildiği gibi kırmızı göstergeliyi görebiliyorsanız tam olarak kilitlenmemiştir.

demektir.

Batarya kartuşunu çıkarmak için, kartuşun ön tarafındaki düğmeyi kaydırarak kartuşu aletten çıkarın.

► **Şek.1:** 1. Kırmızı göstergesi 2. Düğme 3. Batarya kartuşu

⚠️ DİKKAT: Batarya kartuşunu daima kırmızı göstergesi görünmeyecek şekilde tam olarak takın. Yerine tam oturmazsa, aletten yanlışlıkla düşebilir, siziz ya da çevrenizdeki kişilerin yaralanmasına neden olabilir.

⚠️ DİKKAT: Batarya kartuşunu zorlayarak takmayın. Kartuş kolay bir şekilde kaymıyorsa doğru yerleştirilmemiş demektir.

Kalan batarya kapasitesinin gösterilmesi

Sadece göstergeli batarya kartuşları için

Kalan batarya kapasitesini göstermesi için batarya kartuşu üzerindeki kontrol düğmesine basın. Göstergelambaları birkaç saniye yanar.

► **Şek.2:** 1. Göstergelambaları 2. Kontrol düğmesi

Göstergelambaları			Kalan kapasite
Yanıyor	Kapalı	Yanıp sönmüyor	
■	□	▣	%75 ila %100
■ ■ ■ ■	■ ■ ■ ■	■ ■ ■ ■	
■ ■ ■ ■	■ ■ ■ ■	■ ■ ■ ■	%50 ila %75
■ ■ ■ ■	■ ■ ■ ■	■ ■ ■ ■	%25 ila %50
■ ■ ■ ■	■ ■ ■ ■	■ ■ ■ ■	%0 ila %25
▣	□	□	Bataryayı şarj edin.
■ ■ ■ ■	■ ■ ■ ■	■ ■ ■ ■	Batarya arızalanmış olabilir.
□	□	■ ■ ■ ■	

NOT: Kullanım koşullarına ve ortam sıcaklığına bağlı olarak, gösterilen değer gerçek kapasiteden biraz farklılık gösterebilir.

NOT: İlk (en soldaki) göstergelambası, batarya koruma sistemi çalıştığına yanıp söner.








Alet/batarya koruma sistemi

Bu alet bir alet/batarya koruma sistemi ile donatılmıştır. Bu sistem motora giden gücü otomatik olarak keserek uzun alet ve batarya ömrü sağlar. Alet veya batarya için aşağıdaki durumlardan biri söz konusu olduğunda aletin işleyişi otomatik olarak durur. Bazı durumlarda göstergeler yanar.

► **Şek.3:** 1. Lamba 2. Güç/mod göstergesi

NOT: Anahtar tasarımı ikamet ettiğiniz bölgeye göre farklılık gösterir.

Koruma durumu göstergesi

Lamba		Güç/mod göstergesi		Durum
				
				Aşırı yüklenme
				Aşırı ısınma

Aşırı yük koruması

Alet/batarya, anormal derecede yüksek akım çekmesine neden olacak şekilde kullanıldığında, alet otomatik olarak durur. Bu durumda, aleti kapatın ve aletin aşırı yüklenmesine neden olan uygulamayı durdurun. Daha sonra aleti yeniden başlatması için çalıştırın.

Aşırı ısınma koruması

Alet/batarya aşırı ısındığında, alet otomatik olarak durur. Bu durumda, yeniden çalıştırmadan önce aletin soğumasını bekleyin.

Aşırı deşarj koruması

Batarya kapasitesi düştüğünde, alet otomatik olarak durur. Anahtarlar devredeyken bile ürün çalışmıyorsa, bataryayı/bataryaları aletten çıkarıp şarj edin.

Diğer nedenlere karşı korumalar

Koruma sistemi, alete zarar verebilecek diğer nedenler için de tasarlanmıştır ve aletin otomatik olarak durmasını sağlar. Alet çalışırken geçici duraklama ve durma yaparsa nedenleri ortadan kaldırmak için aşağıdaki tüm adımları uygulayın.

1. Tüm anahtarların kapalı konumunda olduklarından emin olarak yeniden çalıştırmak için aleti açın.
2. Bataryaları şarj edin veya şarjlı bataryalarla değiştirin.
3. Aletin ve bataryaların soğumasını bekleyin.

Koruma sistemi eski haline getirilerek ilerleme kaydedilemezse yerel Makita Servis Merkezimize başvurun.

Güç düşmesinin işleyişi

⚠️ DİKKAT: Batarya kartuşunu alete takmadan önce anahtar tetiğin doğru çalıştığından ve bırakıldığında "OFF" (kapalı) konumuna döndüğünden emin olun.

Aleti açmak için güç göstergesi yanana kadar ana güç düşmesine basın ve basılı tutun. Aleti kapatmak için ana güç düşmesine basın ve güç göstergesi sönene dek basılı tutun.

NOT: Anahtar tasarımı ikamet ettiğiniz bölgeye göre farklılık gösterir.

► **Şek.4:** 1. Ana güç düğmesi 2. Güç göstergesi

NOT: Anahtar tetik veya temas elemanı etkinleştirilirken alet açılmaz. Aleti açmadan önce anahtar tetiği ve temas elemanını bıraktığınızdan emin olun.

NOT: Tespit elemanı çakılırken alet kapatılamaz.

NOT: Alet uzun süre gözetimsiz bırakılırsa ana güç anahtarı otomatik olarak kapanır.




Etkinleştirme modunu seçme

Ülkeye özgü

NOT: Bazı bölge veya ülkelerde sadece tek çakma modu mevcuttur. Anahtar tasarımı ikamet ettiğiniz bölgeye bağlı olarak değişebilir.

Alette seçici etkinleştirmeli bir tetikleme kullanılmaktadır. İstenen etkinleştirme modunu seçmek için etkinleştirme modu değiştirme düğmesine basın ve kısa süre basılı tutun.

► **Şek.5:** 1. Etkinleştirme modu değiştirme düğmesi 2. Sıralı etkinleştirme modu 3. Temasla etkinleştirme modu

Mod anahtarı	Etkinleştirme modu	Özellik
	Tam sıralı etkinleştirme	Bir sıralı çalışmada bir tane tespit elemanı çakın. Tespit elemanını dikkatli ve doğru bir şekilde çakmak için uygundur, hassas tespit elemanı yerleştirme gerektiğinde yardımcıdır.
 	Temasla etkinleştirme	Tek çakma veya sürekli çakma mevcuttur. Yüksek üretken tespit elemanı yerleştirme gerektiğinde tercih edilir.

☞ : Bazı bölge ve ülkelerde mevcut değildir.

NOT: Anahtar tetik veya temas elemanı etkinleştirilirken etkinleştirme modu başka bir moda değiştirilemez.

Çakma derinliğinin ayarlanması

⚠️ UYARI: Çakma derinliğini ayarlamadan önce parmaklarınızın anahtar tetiğin veya temas elemanının üzerinde olmadığından ve batarya kartuşunun çıkartılmış olduğundan daima emin olun.

Çakma derinliğini ayarlamak için derinlik ayar düğmesini çevirin. Derinlik ayar düğmesi şekilde gösterildiği gibi A yönünde çevrildiğinde çakma derinliği artarken B yönünde çevrildiğinde çakma derinliği azalır. Çakma derinliği ayar aralığı 8,0 mm'dir.

► **Şek.6:** 1. Derinlik ayar düğmesi

ÖNEMLİ NOT: Derinlik ayar düğmesini çok fazla çevirmeyin, aksi takdirde derinlik ayar düğmesi sıkışabilir.

Çakma derinliğini gerektiği gibi ayarlayın.

► **Şek.7:** 1. Çok derin 2. Yüzeye sıfır 3. Çok sığ

Lambaların yakılması

⚠️ DİKKAT: Işığa bakmayın ya da ışık kaynağını doğrudan görmeyin.

Lambayı yakmak için anahtar tetiği çekin ya da temas elemanını etkinleştirin. Anahtar tetik çekilirken ya da temas elemanı etinken lamba yanmaya devam eder. Lamba, anahtar tetik ve temas elemanı bırakıldıktan birkaç saniye sonra söner.

► **Şek.8:** 1. Anahtar tetik 2. Temas elemanı 3. Lamba

ÖNEMLİ NOT: Lamba lensini temizlemek için kuru bir bez kullanın. Aydınlatmayı azaltacağı için lamba lensinin çizilmemesine dikkat edin.

ÖNEMLİ NOT: Alet aşırı ısındığında lamba yanık söner. Bu durumda anahtar tetiği ve temas elemanını bırakın ve ardından yeniden çalıştırmadan önce aleti/bataryayı soğutun.

NOT: Batarya gücü azaldıktan sonra lamba yanık kalsa bile alet atmayabilir. Bu durumda, batarya kartuşunu şarj edin.

MONTAJ

⚠️ DİKKAT: Alet üzerinde herhangi bir iş yapmadan önce aletin kapalı ve batarya kartuşunun ayrılmış olduğundan daima emin olun.

Tespit elemanlarının yüklenmesi/ boşaltılması

⚠️ DİKKAT: Tespit elemanlarını yüklemeye önce batarya kartuşunu çıkardığınızdan daima emin olun. İstenmeyen atış, kişisel yaralanmaya veya maddî hasara neden olabilir.

⚠️ DİKKAT: Tespit elemanı dolu çivi çakma tabancasının sürgülü kapağını aniden kaydırmayın. Özellikle yüksek yerlerde çalışırken tespit elemanlarının kazara düşürülmesi yaralanmalara sebep olabilir.

⚠️ DİKKAT: Tespit elemanlarını doğru yönde yükleyin. Yanlış yönde yükleme yapmak erken aşınmaya, sürgünün hasar görmesine ya da diğer parçalarda zarara sebep olabilir.

ÖNEMLİ NOT: Deforme olmuş tespit elemanlarını ve tespit elemanı şeritlerini kullanmayın. Bu kılavuzda belirtilen tespit elemanlarını kullanın. Belirtilen dışındaki tespit elemanlarının kullanılması tespit elemanının sıkışmasına ve arızaya neden olabilir.

1. Batarya kartuşunu çıkarın.
2. Mandala basın ve haznenin sürgülü kapağını açın.
► **Şek.9:** 1. Kol 2. Sürgülü kapak 3. Hazne
3. Tespit elemanı uçları hazne plakası ile hazne arasında olacak şekilde bir tespit elemanı şeridi yerleştirin

ve tespit elemanı şeridini sürgücü kılavuzuna doğru kaydırın.

► **Şek.10:** 1. Tespit elemanı şeridi 2. Hazne plakası 3. Hazne 4. Sürgücü kılavuzu

4. Sürgülü kapağı, mandal kapağı kilitleyinceye kadar orijinal konumuna döndürün.

Tespit elemanlarını çıkarmak için mandala basın ve sürgülü kapağı kaydırın. Tespit elemanlarını haznedeki çıkarın.

Burun adaptörü

⚠️ DİKKAT: Burun adaptörünü takmadan veya çıkarmadan önce parmaklarınızın anahtar tetik veya temas elemanının üzerinde olmadığından her zaman emin olun, haznede kalan tüm temas elemanlarını çıkarın ve batarya kartuşunu çıkarın.

Kolay çizilebilen yüzeylere temas elemanı çakarken burun adaptörünü temas elemanına takın.

Burun adaptörünün takılması

Burun adaptörünü, temas elemanına yerleştirin. Burun adaptörünün şekilde gösterildiği gibi kusursuz geçtiğinden emin olun.

► **Şek.11:** 1. Burun adaptörü 2. Temas elemanı

Burun adaptörünün çıkarılması

Burun adaptörü elle çıkarılabilir.

NOT: Burun adaptörünü elle çıkarmadığınızda burun adaptörü ile temas elemanının arasında düz tornavida sokarak burun adaptörünü çıkarın.

► **Şek.12:** 1. Burun adaptörü 2. Temas elemanı 3. Düz tornavida

NOT: Kaybolmasını önlemek için, burun adaptörünü şekilde gösterildiği gibi yuvada saklayabilirsiniz.

► **Şek.13:** 1. Burun adaptörü 2. Yuva

Kanca

⚠️ UYARI: Kancayı çok fazla kuvvetle aşırı yüklemeye dikkat edin. Aksi takdirde düzensiz aşırı yük aletle hasarlara neden olarak yaralanmaya yol açabilir.

⚠️ DİKKAT: Kancayı bel kemerine asmayın. Kancanın kazara yerinden çıkması nedeniyle aleti düşürmek, istenmeyen atışa sebep olabilir ve yaralanmalara yol açabilir.

► **Şek.14**

⚠DİKKAT: Kancayı takarken kancayı daima vida ile iyice sabitleyin. Sabitlenmezse kanca aletten çıkabilir ve yaralanmaya neden olabilir.

⚠DİKKAT: Asma/montaj parçalarını yalnızca amacı doğrultusunda kullanın. Amacı dışında kullanmak kazaya veya yaralanmaya neden olabilir.

⚠DİKKAT: Tutmayı bırakmadan önce aleti mutlaka güvenli bir şekilde asın. Yetersiz veya dengersiz asmak, düşmeye neden olabilir ve yaralanabilirsiniz.

Kanca, aletin geçici bir süre asılması için kullanışlıdır. Aleti alet rafına, raya veya kancalı duvara asın.

Kanca, aletin her iki yanına da takılabilir.

Kancayı takmak için, şekilde gösterildiği gibi kancayı alet gövdesinin her iki yanındaki girintilerden birine geçirin ve ardından vida ile sabitleyin. Çıkarmak için, vidayı gevşetin ve ardından kancayı çıkarın.

► **Şek.15:** 1. Oluk 2. Kanca 3. Vida

KULLANIM

Güvenlik sisteminin test edilmesi

⚠UYARI: Kullanmadan önce tüm güvenlik sistemlerinin çalışır durumda olduğundan emin olun. Bunun yapılmaması kişisel yaralanmalara sebep olabilir.

► **Şek.16:** 1. Anahtar tetik 2. Temas elemanı 3. Hazne 4. Kol

Çalıştırmadan önce olası hata veya arızalara karşı güvenlik sisteminin aşağıda açıklandığı şekilde test edin.

1. Aletten batarya kartuşunu çıkarın. Ardından hazne de kalan tüm tespit elemanlarını boşaltın.
2. Batarya kartuşunu yerine takın ve aleti açın.
3. Anahtar tetiği, temas elemanını malzemeye temas ettirmeden çekin.
4. Hazneyi açın ve açık tutun. Ardından anahtar tetiği çekmeden temas elemanını malzemeye dayayın.

Alet yukarıda açıklanan adım 3 veya 4'te çalışırsa güvenlik sistemi düzgün çalışmıyordur. Aleti kullanmayı hemen bırakın ve yerel Makita Servis Merkezimize başvurun.

Tespit elemanlarının kullanılması

Çiviler

Çivileri ve kutularını dikkatli tutun. Çiviler özenli tutulmazsa şekilleri bozulabilir veya bağlantıları kopabilir, bu da çivilerin yeterli şekilde beslenmemesine neden olabilir.

ÖNEMLİ NOT: Çivileri çok nemli ya da sıcak yerlerde ya da doğrudan güneş ışığına maruz kalan yerlerde saklamaktan kaçının.

► **Şek.17**

Tespit elemanlarının çakılması

⚠UYARI: Aleti kullanırken yüzünüzü aletten uzak tutun. Aksi takdirde yaralanmaya neden olabilir.

⚠UYARI: Bu aleti elektrik kablolarını sabitlemek için kullanmayın. Bu alet, elektrik kablosu montajı için tasarlanmamıştır ve elektrik kablolarının yalıtımına hasar vererek elektrik çarpmasına veya yangına neden olabilir.

⚠UYARI: Temas elemanını, çivi tam olarak çakılana kadar malzemenin üzerinde sıkı bir şekilde tutmaya devam edin. İstenmeyen atış, kişisel yaralanmalara neden olabilir.

⚠DİKKAT: Çalışma sırasında aleti sıkıca tutun.

⚠DİKKAT: Metal veya benzeri sert malzemelere tespit elemanı çakmayın. Tespit elemanı malzemeye giremezse alet size doğru geri teperek yaralanmaya neden olabilir.

ÖNEMLİ NOT: Sadece anahtar tetik veya temas elemanı etkinleştirildiğinde beş saniye boyunca anahtar işlemi yapılmazsa alet çakmaya başlamayacaktır. Çakmaya yeniden başlamak için anahtar tetiği bırakın veya temas elemanını iş parçasından çekin ve ardından yeniden yerine yerleştirin.

NOT: Uzun süre kesintisiz olarak çivi çakarsanız motorun ısısından dolayı çıkış havası ısınır.

Alette iki çakma işlemi kullanılır; tam sıralı etkinleştirme ve temasla etkinleştirme.

NOT: Bazı bölge veya ülkelerde sadece tek çakma modu (tam sıralı etkinleştirme) mevcuttur. Anahtar tasarımı ikamet ettiğiniz bölgeye bağlı olarak değişebilir.

Tam sıralı etkinleştirme

Bu modda, tek sıralı çalıştırmayla bir tane tespit elemanı çakabilirsiniz.

Aleti çalıştırmak için belirli bir sırayla iş parçasına temas olmalı ve ardından tetik etkinleştirilmelidir. Tespit elemanlarını çakmaya devam etmek için anahtar kontrollerini aynı sırada bırakın ve yeniden etkinleştirin.

1. Aleti açmak için ana güç düğmesine basın ve basılı tutun.
2. Sıralı etkinleştirme modu lambasının yandığından emin olun.

► **Şek.18:** 1. Ana güç düğmesi 2. Sıralı etkinleştirme modu lambası

3. Temas elemanını malzemenin üzerine düz yerleştirin.

► **Şek.19:** 1. Temas elemanı

4. Bir tespit elemanı çakmak için anahtar tetiği sonuna kadar çekin.

► **Şek.20:** 1. Anahtar tetik

5. Parmağınızı anahtar tetikten çekin. Ardından temas elemanını malzemedan yukarı kaldırın.

Sonraki tespit elemanını çakmak için adım 3 ile 5'i aynı sırada tekrarlayın.

Temasla etkinleştirme

Ülkeye özgü

Bu modda tetik işlemini herhangi bir sırada takip ederek sürekli veya tek çakmayı seçebilirsiniz.

Aleti çalıştırmak için herhangi bir sırayla iş parçasına temas olmalı ve tetik etkinleştirilmelidir. Tespit elemanlarını sürekli çakmak için iş parçasına teması bırakın ve yeniden etkinleştirin.

Tek çakma için

1. Aleti açmak için ana güç düğmesine basın ve basılı tutun.
2. Temasla etkinleştirme modunu seçmek için etkinleştirme modu değiştirme düğmesine basın ve kısa süre basılı tutun.

Temasla etkinleştirme modu lambası yanar.

- **Şek.21:** 1. Etkinleştirme modu değiştirme düğmesi
2. Temasla etkinleştirme modu lambası

3. Temas elemanını malzemenin üzerine düz yerleştirin.
 4. Bir tespit elemanı çakmak için anahtar tetiği sonuna kadar çekin.
 5. Parmağınızı anahtar tetikten çekin. Ardından temas elemanını malzemeden yukarı kaldırın.
- Sonraki tespit elemanını çakmak için adım 3 ile 5'i aynı sırada tekrarlayın.

Sürekli çakma için

1. Aleti açmak için ana güç düğmesine basın ve basılı tutun.
2. Temasla etkinleştirme modunu seçmek için etkinleştirme modu değiştirme düğmesine basın ve kısa süre basılı tutun.

Temasla etkinleştirme modu lambası yanar.

3. Anahtar tetiği çekin.
- **Şek.22:** 1. Anahtar tetik
4. Bir tespit elemanı çakmak için temas elemanını malzemenin üzerine düz bir şekilde yerleştirin.
5. Anahtar tetik çekiliyken aleti sonraki yerlere taşıyın ve sonraki tespit elemanlarını çakmak için temas elemanını malzemenin üzerine düz bir şekilde yerleştirin.

- **Şek.23:** 1. Anahtar tetik 2. Temas elemanı

Boş çalıştırmaya karşı koruma mekanizması

Haznede kalan tespit elemanı sayısı 5 - 7 adede düştüğünde anahtar artık etkinleştirilemez ve alet atışı durdurur. Çalışmaya yeniden başlamadan önce hazneye yeni bir tespit elemanı şeridi takın.

Kalan tespit elemanlarının kontrol edilmesi

Kalan tespit elemanı miktarını gözleme penceresinden kontrol edebilirsiniz.

Gösterge, kalan tespit elemanı miktarı azaldıkça atış ağzına doğru hareket eder.

- **Şek.24:** 1. Gözleme penceresi 2. Gösterge

Sıkışan tespit elemanlarının çıkarılması

UYARI: Sıkışan tespit elemanlarını çıkarmadan önce batarya kartuşunu ve tespit elemanlarını mutlaka çıkarın.

UYARI: Tespit elemanı sürücüsünü zorlayarak ittirimeyin. Sıkışmaları gidermek için tespit elemanı sürücüsüne ve tespit elemanlarına herhangi bir el aletiyle vurmeyin. Alette basınçlı hava bulunduğunu ve basıncın içeride muhafaza edildiğini unutmayın. Kılavuzdaki güvenlik önlemlerine uyulmaması ciddi yaralanmaya neden olabilir.

UYARI: Sıkışmaları giderirken aleti asla kendinize veya yakındaki başka kişilere doğrultmayın. Aksi takdirde, alette fabrikada sızdırmaz hale getirilmiş odacıkta basınçlı hava yüklü olduğundan, yanlışlıkla çalıştırma sonucu yaralanmaya neden olabilir.

DİKKAT: Sıkışan tespit elemanlarını çıplak elle çıkarmayın. Tespit elemanı haznedeki fırlayarak yaralanmaya neden olabilir.

DİKKAT: Sık sıkışma veya giderilmesi zor sıkışma durumlarının üstesinden gelmek için yerel Makita Servis Merkezimize danışın.

DİKKAT: Sıkışan tespit elemanlarını çıkardıktan sonra kilidi mutlaka kilitleyin.

Tespit elemanı sıkışması olduğunda tespit elemanı besleme ve çakma ünitesine yakından bakın. Sıkışmalar genellikle tespit elemanı sürücüsü ile alt sürücü kılavuzu arasına sıkışan tespit elemanlarından kaynaklanmaktadır.

Sıkışmayı gidermek için kilidi ve sürücü kılavuzu açın. Sıkışan tespit elemanlarını çıkarın ve kilidi kilitleyin.

- **Şek.25:** 1. Kilit 2. Alt sürücü kılavuzu 3. Sürücü kılavuzu

BAKIM

UYARI: Bu aleti parçalarına ayırmayın. Bu alet basınçlı hava içerecek şekilde kapatılmıştır ve parçalarına ayırmak ciddi yaralanmaya neden olabilir.



DİKKAT: Muayene ya da bakım yapmadan önce aletin kapalı ve batarya kartuşunun çıkartılmış olduğundan daima emin olun.

ÖNEMLİ NOT: Benzin, tiner, alkol ve benzeri maddeleri kesinlikle kullanmayın. Renk değişimi, deformasyon veya çatlaklar oluşabilir.

Aleti EMNİYETLİ ve ÇALIŞMAYA HAZIR durumda tutmak için onarımlar, başka her türlü bakım ve

ayarlamalar daima Makita yedek parçaları kullanılarak Makita yetkili servis merkezleri veya Fabrikanın Servis Merkezleri tarafından yapılmalıdır.

Sürücü konumunu sıfırlama

Tespit elemanı sıkışmasının ardından veya düşük batarya durumu altında sürücü, çakılacak tespit elemanının arkasına doğru konumlandırılmayabilir. Çalışmaya yeniden başlamadan önce mutlaka başlatma adımlarını uygulayın.

1. Aletten batarya kartuşunu çıkarın.
2. Haznede kalan tüm tespit elemanlarını çıkarın.
3. Sürücünün konumunu gözlemleyin.

Sürücü ucunun sürücü kılavuzundan çıktığını görürseniz başlatma sırasında temas elemanı düzgün etkinleştirilemez.

► **Şek.26:** 1. Sürücü 2. Sürücü kılavuzu

Temas elemanının düzgün çalışması için derinlik ayar düğmesini çevirerek en sığa ayarlayın.

► **Şek.27:** 1. Derinlik ayar düğmesi

4. Batarya kartuşunu yerine takın ve aleti açın.
5. Hazneyi açın ve açık tutun. Daha sonra temas elemanını zarar görebilecek malzemeye dayayın.
6. Sürücü konumunu sıfırlamak için, temas elemanı etkinleştirilmiş durumda, anahtar tetiği sonuna kadar çekin.

► **Şek.28:** 1. Hazne 2. Temas elemanı 3. Anahtar tetik

Sürücü konumu doğru bir şekilde sıfırlanır.

7. Aletten batarya kartuşunu çıkarın. Tespit elemanlarını hazneye yeniden yükleyin. Batarya kartuşunu alete tekrar takın.

İSTEĞE BAĞLI AKSESUARLAR

⚠ DİKKAT: Bu aksesuarlar ve ek parçalar bu el kitabında belirtilen Makita aletiniz ile kullanılmak için tavsiye edilmektedir. Herhangi başka bir aksesuar ya da ek parça kullanılması insanlar için bir yaralanma riski getirebilir. Aksesuarları ya da ek parçaları yalnızca belirtilmiş olan kullanım amaçlarına uygun olarak kullanın.

Bu aksesuarlarla ilgili daha fazla bilgiye ihtiyaç duyarsanız bulunduğunuz yerdeki yetkili Makita servisine başvurun.

- Çiviler
- Orijinal Makita batarya ve şarj aleti

NOT: Listedeki parçaların bazıları alet paketi içerisinde standart aksesuar olarak dahil edilmiş olabilir. Bunlar ülkeden ülkeye farklılık gösterebilir.

Makita Europe N.V.

Jan-Baptist Vinkstraat 2, 3070 Kortenberg, Belgium

Makita Corporation

3-11-8, Sumiyoshi-cho, Anjo, Aichi 446-8502 Japan

www.makita.com



885A93A999
EN, FR, DE, IT, NL,
ES, PT, EL, TR
20250526