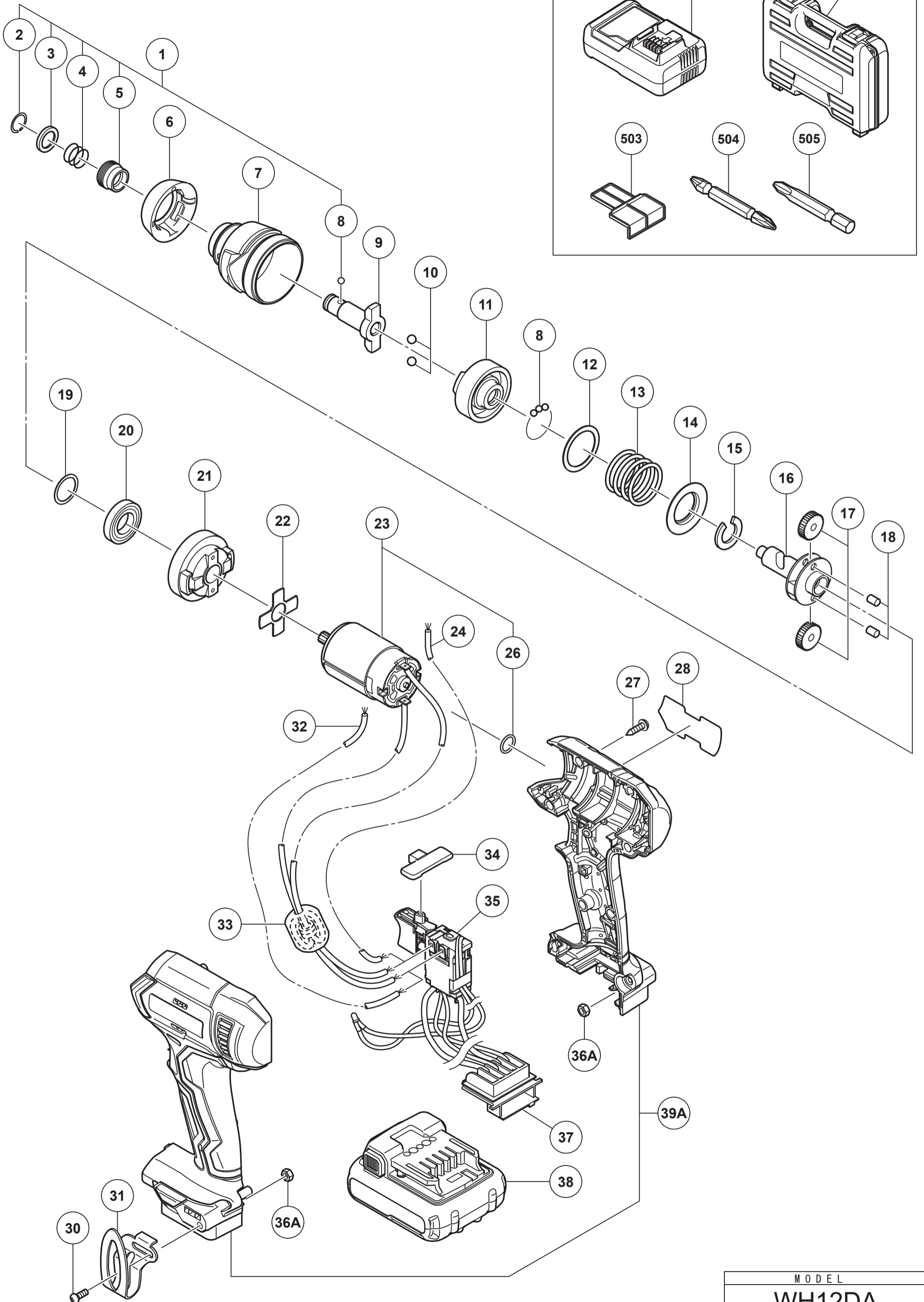


HIKOKI

CORDLESS IMPACT DRIVER

Item No.	Code No.	Description	No. Used	Remarks
1	329538	GUIDE SLEEVE ASS'Y	1	INCLUD.2-5,8
2	995933	RETAINING RING	1	
3	331959	WASHER (F)	1	
4	322737	GUIDE SPRING (C)	1	
5	329537	GUIDE SLEEVE (C)	1	
6	337360	FRONT CAP	1	
7	374940	HAMMER CASE	1	
8	959148	STEEL BALL D3.175 (10 PCS.)	29	
*9	329554	ANVIL (L)	1	
*9	329555	ANVIL (S)	1	FOR EUROPE,AUS
10	959154	STEEL BALL D5.556 (10 PCS.)	2	
11	330965	HAMMER	1	
12	315978	WASHER (J)	1	
13	322741	HAMMER SPRING (E)	1	
14	316172	WASHER (S)	1	
15	322740	STOPPER (A)	1	
16	330960	SPINDLE	1	
17	375586	IDLE GEAR SET (2 PCS.)	2	
18	980258	NEEDLE (C)	2	
19	330961	WASHER (G)	1	
20	330962	BALL BEARING 6803VV	1	
21	331019	RING GEAR	1	
22	331448	PACKING (A)	1	
23	337361	MOTOR DC 12V	1	INCLUD.26
24	375588	INTERNAL WIRE (RED) L110	1	EXCEPT FOR EUROPE
26	987105	O-RING (S-10)	1	
27	313687	TAPPING SCREW (W/FLANGE) D3X16 (BLACK)	8	
28		NAME PLATE	1	
30	337357	TRUSS HD. SCREW M4 (BLACK)	1	FOR EUROPE
31	372229	HOOK	1	FOR EUROPE
32	375589	INTERNAL WIRE (BLACK) L80	1	EXCEPT FOR EUROPE
33	375590	INTERNAL WIRE FERRITE SET	1	FOR EUROPE
34	329548	PUSHING BUTTON (A)	1	
35	374935	DC-SPEED CONTROL SWITCH	1	
36A	322709	NUT M4 (BLACK)	2	
37	374398	BATTERY TERMINAL	1	
*38	374954	BATTERY BSL 1225M (EUROPE)	2	INCLUD.503
*38	374955	BATTERY BSL 1225M (THA)	2	INCLUD.503
*38	375346	BATTERY BSL 1225M (CHN)	2	INCLUD.503
39A	375928	HOUSING (A).(B) SET	1	INCLUD.36
		STANDARD ACCESSORIES		
501		CHARGER (MODEL UC 12SL)	1	
502	336642	CASE	1	
503	374778	BATTERY COVER	1	
504	983006	+ DRIVER BIT NO.2 65L	1	EXCEPT FOR EUROPE,AUS
		OPTIONAL ACCESSORIES		
601	306927	SILICONE RUBBER	1	
602	996184	BIT PIECE	1	

* ALTERNATIVE PARTS



MODEL
WH12DA