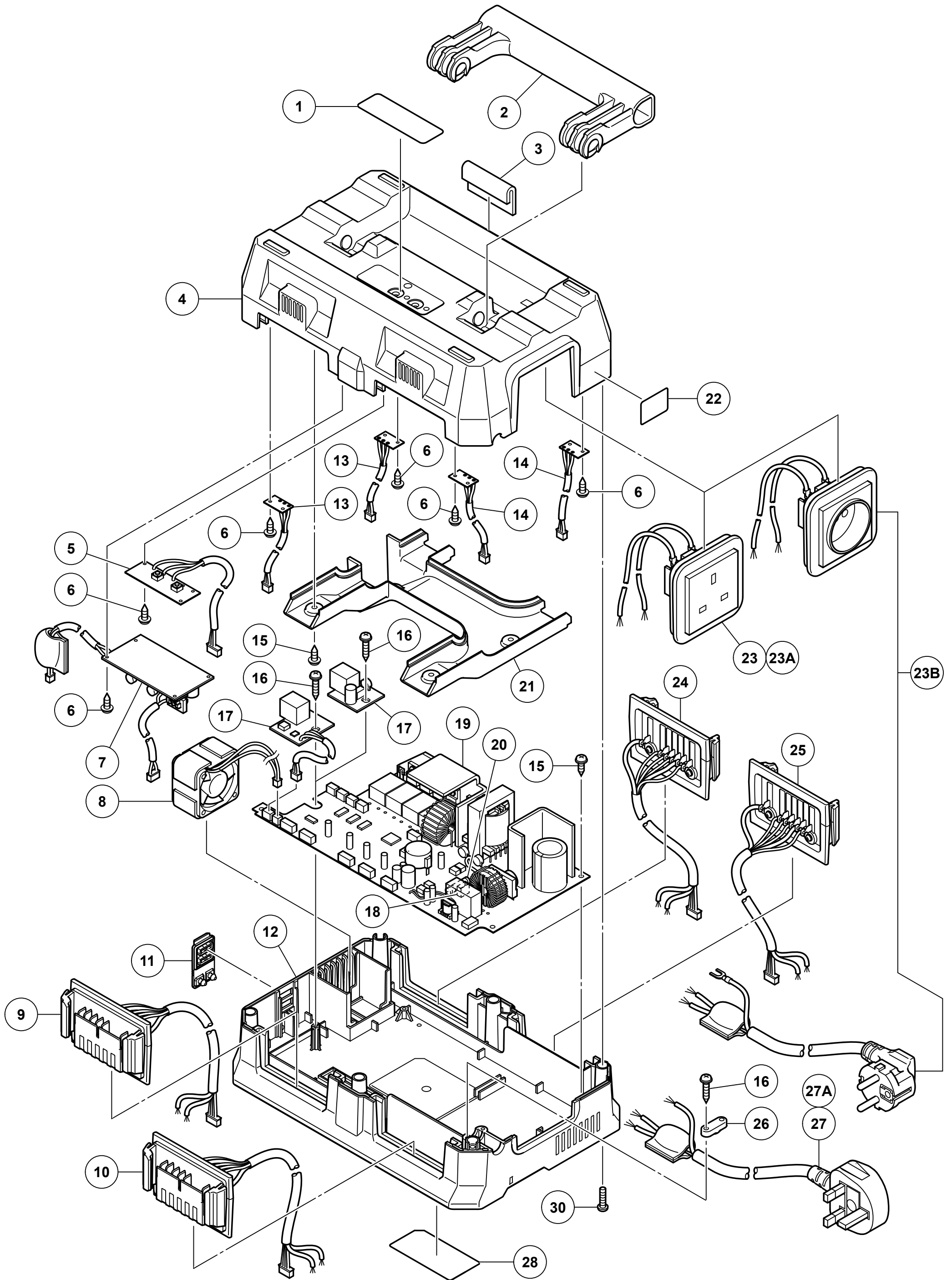


HIKOKI

MULTI PORT CHARGER

Item No.	Code No.	Description	No. Used	Remarks
*1	375365	LABEL (B)	1	FOR EUROPE, GBR, AUS, NZL, SIN, HKG, IND
*1	374998	LABEL (C)	1	FOR USA, CAN
*1	377473	LABEL (E)	1	FOR (S)
2	374993	HANDLE	1	
3	375576	CUSHION	1	
4	374970	CASE (A)	1	
*5	374979	SWITCH PCB	1	
*5	374978	SWITCH PCB	1	FOR USA, CAN
*6	339341	TAPPING SCREW (W/FLANGE) D2X8 (BLACK)	13	
*6	339341	TAPPING SCREW (W/FLANGE) D2X8 (BLACK)	10	FOR USA, CAN
7	374976	USB PCB (A)	1	EXCEPT FOR USA, CAN
8	370115	FAN	1	
9	374985	TERMINAL HOLDER	1	
9	377464	TERMINAL HOLDER (FOR 12V)	1	FOR (S)
9	377469	TERMINAL HOLDER (FOR 18V)	1	FOR (S)
10	374984	TERMINAL HOLDER	1	
10	377465	TERMINAL HOLDER (FOR 12V)	1	FOR (S)
10	377468	TERMINAL HOLDER (FOR 18V)	1	FOR (S)
11	374991	USB CAP	1	
12	374971	CASE (B)	1	
13	374980	LED PCB	2	
14	374981	LED PCB	2	
15	327174	TP TAPPING SCREW D3X8	8	
16	326358	TAPPING SCREW (W/FLANGE) D3X18	3	
*17	374977	USB PCB (B)	1	
*17	374975	USB PCB	1	FOR USA, CAN
*17	375912	USB PCB (B)	1	FOR AUS, NZL
18	338726	FUSE	1	
*19	374974	MAIN PCB ASS'Y (EUROPE, AUS, ASIA)	1	INCLUD. 18, 20
*19	374973	MAIN PCB ASS'Y (USA)	1	INCLUD. 18, 20
*19	377471	MAIN PCB ASS'Y (EUROPE, AUS, ASIA)	1	FOR (S)
*20	374995	FUSE	1	
*20	370116	FUSE (10A/250V)	1	FOR USA, CAN
21	374992	AIR DUCT	1	
22		OUTLET LABEL	1	
23	374987	OUTLET (USA)	1	
*23A	374990	OUTLET (GBR, SIN, HKG)	1	
*23A	376613	OUTLET (AUS)	1	
23B	377292	CORD OUTLET SET (EUROPE, IND)	1	
24	374982	TERMINAL HOLDER	1	
24	377464	TERMINAL HOLDER (FOR 12V)	1	FOR (S)
24	377466	TERMINAL HOLDER (FOR 18V)	1	FOR (S)
25	374983	TERMINAL HOLDER	1	
25	377465	TERMINAL HOLDER (FOR 12V)	1	FOR (S)
25	377467	TERMINAL HOLDER (FOR 18V)	1	FOR (S)
26	373311	CORD CLIP	1	
27	500533Z	CORD (USA)	1	
*27A	500546Z	CORD (GBR, SIN, HKG)	1	
*27A	500545Z	CORD (AUS, NZL)	1	
28		NAME PLATE	1	
29	377474	LABEL (F)	1	FOR (S)
30	376623	TP. TORX SCREW D3X18	6	
		OPTIONAL ACCESSORIES		

* ALTERNATIVE PARTS



MODEL
UC18YTSL(1/2)

