

# HIKOKI

## BELT SANDER

Item No.	Code No.	Description	No. Used	Remarks
1	327742	PULLEY (A)	1	
2	6000VV	BALL BEARING 6000VVCMP2L	1	
3	327739	DUST GUIDE	1	
*4	360797C	ARMATURE 110V	1	
*4	360797U	ARMATURE ASS'Y 120V	1	INCLUD.2,5
*4	360797E	ARMATURE 220V-230V	1	
*4	360797F	ARMATURE 240V	1	
5	608VVM	BALL BEARING 608VVC2PS2L	1	
6	935196	MACHINE SCREW (W/WASHERS) M4X12 (BLACK)	4	
7	931701	BEARING LOCK	1	
8	328209	DUST PLATE	1	
9	327738	FAN GUIDE	1	
10	953174	HEX. HD. TAPPING SCREW D5X55	2	
*11	340700J	STATOR ASS'Y 110V	1	INCLUD.12
*11	340700D	STATOR ASS'Y 120V	1	INCLUD.12
*11	340700G	STATOR ASS'Y 220V-230V	1	INCLUD.12
*11	340700H	STATOR ASS'Y 240V	1	INCLUD.12
12	930703	BRUSH TERMINAL	2	
*13	980063	TERMINAL	2	
*13	980063	TERMINAL	1	FOR USA,CAN
14B	328433	BELT COVER	1	
15	316321	TAPPING SCREW (W/FLANGE) D5X45	4	
16	327740	DUST COVER	1	
16A	376090	DUST COVER	1	FOR GBR,EUROPE
17	327760	HANDLE COVER	1	
18	984750	TAPPING SCREW (W/FLANGE) D4X16	2	
19	937631	CORD CLIP	1	
20	958049	CORD ARMOR D8.2	1	
21	327759	HOUSING ASS'Y	1	INCLUD.22,25
22	938477	HEX. SOCKET SET SCREW M5X8	2	
*23	500234Z	CORD	1	(CORD ARMOR D8.2)
*23	500247Z	CORD	1	(CORD ARMOR D8.2) FOR FIN,DEN,SWE,NOR
*23	500439Z	CORD	1	(CORD ARMOR D8.2) FOR AUS,NZL
*23	500435Z	CORD	1	(CORD ARMOR D8.2) FOR GBR
*23	500447Z	CORD	1	(CORD ARMOR D8.2) FOR SUI
*23	500432Z	CORD	1	(CORD ARMOR D8.2) FOR USA,CAN
*23	500455Z	CORD	1	(CORD ARMOR D8.2) FOR CHN
24		NAME PLATE	1	
25	958900	BRUSH HOLDER	2	
26	999043	CARBON BRUSH (1 PAIR)	2	
27	945161	BRUSH CAP	2	
28	327779	PULLEY COVER	1	
29	305812	TAPPING SCREW (W/FLANGE) D4X16 (BLACK)	8	
30A	339021	TRIGGER SWITCH	1	
31	959140	CONNECTOR 50091 (10 PCS.)	1	EXCEPT FOR USA,CAN
32	328432	VARISTOR	1	
33	305499	MACHINE SCREW (W/WASHER) M3.5X6	4	
34	980063	TERMINAL	2	FOR CORD
*35	327757	CONTROLLER 120V	1	
35A	382873	CONTROLLER 100V-110V	1	
35A	382992	CONTROLLER 220V-240V	1	
36	938108	TERMINAL	1	EXCEPT FOR USA,CAN
37	325566	NOISE SUPPRESSOR	1	EXCEPT FOR USA,CAN

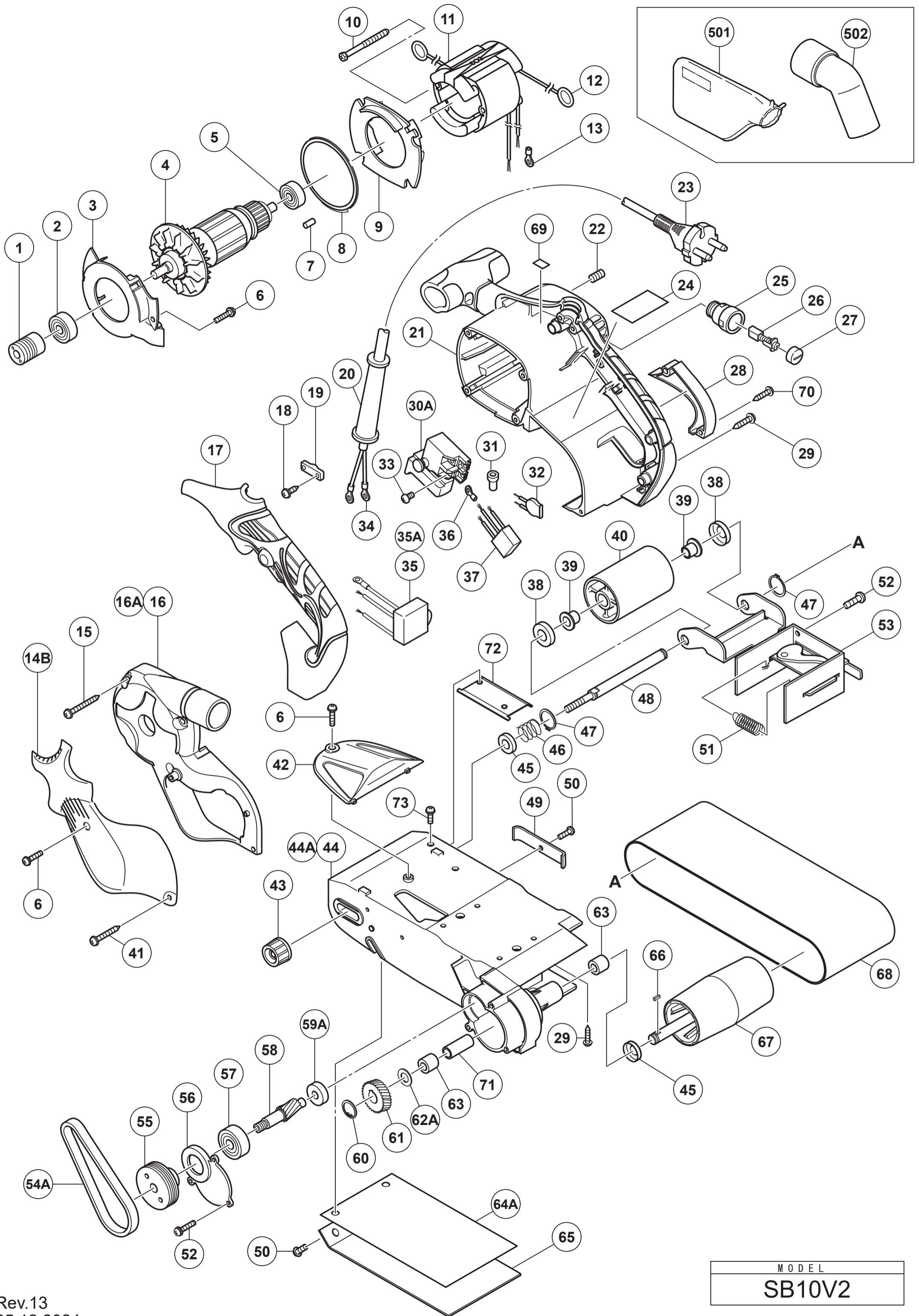
\* ALTERNATIVE PARTS

# HIKOKI

## BELT SANDER

Item No.	Code No.	Description	No. Used	Remarks
38	953043	WASHER	2	
39	953042	METAL	2	
40	995586	IDLE PULLEY ASS'Y	1	INCLUD.39
41	305490	TAPPING SCREW (W/FLANGE) D4X30 (BLACK)	1	
42	327744	CLEAR COVER	1	
43	995578	KNOB NUT	1	
44	327780	BODY ASS'Y	1	INCLUD.59,63,71
44A	376094	BODY ASS'Y	1	INCLUD.59,63,71 FOR GBR,EUROPE
45	953161	WASHER	2	
46	995577	SPRING	1	
47	939542	RETAINING RING FOR D12 SHAFT (10 PCS.)	2	
48	995587	SHAFT	1	
49	327746	STRIKING GUIDE	1	
50	949216	MACHINE SCREW M4X10 (10 PCS.)	3	
51	953063	SPRING	1	
52	949218	MACHINE SCREW M4X14 (10 PCS.)	5	
53	995585	FORK ASS'Y	1	INCLUD.51
54A	330690	BELT	1	
55	327749	PULLEY (B)	1	
56	327748	GEAR COVER	1	
57	6200VV	BALL BEARING 6200VVCMP2L	1	
58	327750	PINION	1	
59A	608VVM	BALL BEARING 608VVC2PS2L	1	
60	939540	RETAINING RING FOR D10 SHAFT (10 PCS.)	1	
61	995576	GEAR	1	
62A	335794	PISTON WASHER	1	
63	953175	METAL D10X14X12	2	
64A	329900	SHOE CUSHION	1	
65	327781	SHOE PLATE	1	
66	944109	FEATHER KEY 3X3X8	1	
67	995575	DRIVE PULLEY	1	
69	328513	DUST SEAL	1	
70	302086	TAPPING SCREW (W/FLANGE) D4X20 (BLACK)	1	
71	370075	FELT	1	
72	376091	PLATE	1	FOR GBR,EUROPE
73	317200	MACHINE SCREW (W/WASHERS) M4X8 (BLACK)	2	FOR GBR,EUROPE
		STANDARD ACCESSORIES		
501	323011	DUST BAG (BLACK)	1	
*501	323011M	DUST BAG (BLACK)	1	FOR METABOHPT
502	376092	ELBOW	1	FOR GBR,EUROPE
		OPTIONAL ACCESSORIES		
601	995550	SANDING BELTS 100X610 WA40 (10 PCS.)	1	
605	995555	SANDING BELTS 100X610 WA150 (10 PCS.)	1	
615	995565	SANDING BELTS 100X610 AA240 (10 PCS.)	1	
621	995571	SANDING BELTS 100X610 CC150 (10 PCS.)	1	

\* ALTERNATIVE PARTS



MODEL  
SB10V2