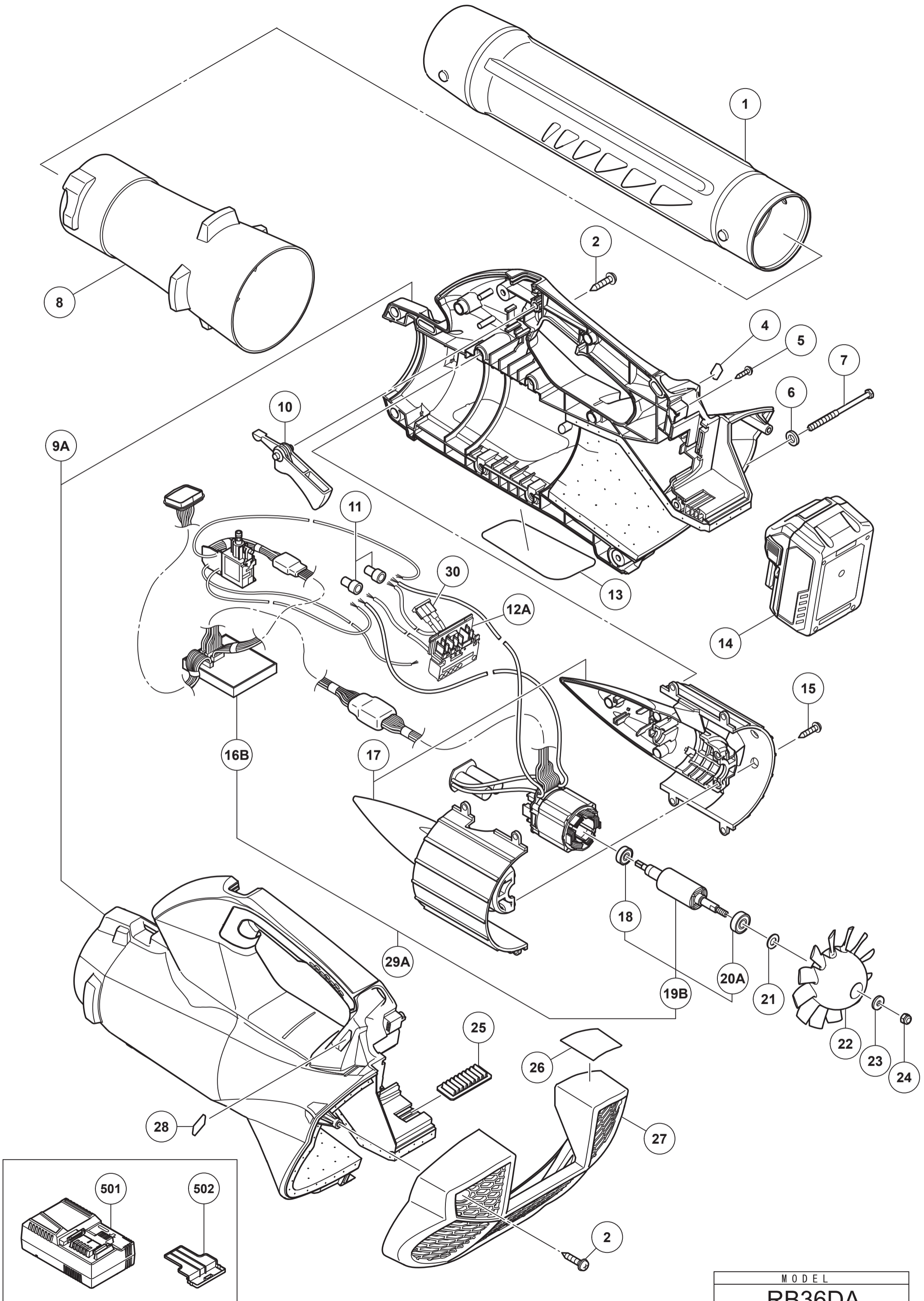


HIKOKI

CORDLESS OTHERS RB36DA

Item No.	Code No.	Description	No. Used	Remarks
1	6698393	NOZZLE (A)	1	
2	302089	TAPPING SCREW (W/FLANGE) D5X20 (BLACK)	13	
4		MV LABEL (B)	1	
5	313687	TAPPING SCREW (W/FLANGE) D3X16 (BLACK)	1	
6	949424	WASHER M5 (10 PCS.)	1	
7	961400	HEX. HD. TAPPING SCREW D5X70	1	
8	335198	NOZZLE	1	
9A	373163	HOUSING (A).(B) SET	1	
10	335199	TRIGGER LEVER	1	
11	959141	CONNECTOR 50092 (10 PCS.)	2	
12A	379931	BATTERY TERMINAL	1	
13		NAME PLATE	1	
14	371750	BATTERY BSL 36A18 (EUROPE,AUS,NZL)	1	INCLUD.502
15	301653	TAPPING SCREW (W/FLANGE) D4X20 (BLACK)	5	
16B	341213	STATOR FET PCB ASS'Y	1	INCLUD.11,12A,30 SINCE 2.2019
17	336097	MOTOR HOUSING SET	1	
18	333826	BALL BEARING 625DD	1	
19B	375677	ROTOR ASS'Y	1	INCLUD.18,20A SINCE 2.2019
20A	381409	BALL BEARING 607VVC2	1	
21	6696880	BOLT WASHER D7	1	
22	335195	FAN	1	
23	329929	WASHER (A)	1	
24	308387	U-NUT M5	1	
25	370328	BATTERY RUBBER (B)	1	
26	336099	CAUTION LABEL (EURO)	1	
27	335196	NOSE GRILL	1	
28		MV LABEL (A)	1	
29A	382862	WIRING ASS'Y SET	1	INCLUD.16B,19B TILL 1.2019
30		FUSE	1	
		STANDARD ACCESSORIES		
501		CHARGER (MODEL UC 18YSL3)	1	
502	329897	BATTERY COVER	1	
		OPTIONAL ACCESSORIES		
601	6699184	FLAT NOZZLE	1	

* ALTERNATIVE PARTS



MODEL
RB36DA