

# HIKOKI

## ROUTER M8V2

Item No.	Code No.	Description	No. Used	Remarks
1A		BRAND LABEL (B) BLACK	1	
*2	500234Z	CORD	1	(CORD ARMOR D8.8)
*2	500247Z	CORD	1	(CORD ARMOR D8.8)FOR FIN,NOR,SWE,DEN,AUT
*3A	379003	CONTROLLER PACKAGE 230V-240V	1	INCLUD.82
4	307093	MAGNET	1	
5	954017	TAPPING SCREW D4X12	2	
6	326079	BEARING BUSHING	1	
7	323420	RUBBER RING	1	
8	608VVM	BALL BEARING 608VVC2PS2L	1	
9	326085	HEAD COVER	1	
10		BRAND LABEL (A)	1	
11	959140	CONNECTOR 50091 (10 PCS.)	2	
12	930804	TERMINAL M4.0 (10 PCS.)	1	
13	953327	CORD ARMOR D8.8	1	
*14	980063	TERMINAL	1	EXCEPT FOR USA,CAN (TILL 6.2021 FOR EUROPE,GBR (230V)) TILL 11.2021 FOR RUS
*14	930804	TERMINAL M4.0 (10 PCS.)	1	FOR USA,CAN (SINCE 7.2021 FOR EUROPE, GBR (230V)) SINCE 12.2021 FOR RUS (FOR CONTROLLER PACKAGE 230V-240V (CODE NO. 379003))
15	938477	HEX. SOCKET SET SCREW M5X8	2	
16	307028	TAPPING SCREW (W/FLANGE) D4X25 (BLACK)	3	
17		NAME PLATE	1	
18	937631	CORD CLIP	1	
19	984750	TAPPING SCREW (W/FLANGE) D4X16	2	
*20	938307	PILLAR TERMINAL	1	
*20	958308Z	PILLAR TERMINAL (A)	1	FOR FIN,NOR,SWE,DEN,AUT
*21	326177	INTERNAL WIRE (BLUE)	1	
22	307887	MACHINE SCREW (W/WASHER) M3.5X6	2	
23	314603	SWITCH (1P SOLDER TYPE)	1	
24	981586	BRUSH HOLDER	2	
25	999043	CARBON BRUSH (1 PAIR)	2	
26	961781	BRUSH CAP	2	
27	326093	HOUSING ASS'Y	1	INCLUD.15,24
*28	326090	SCALE	1	
29	326084	MARKER	1	
30	325196	STOPPER POLE (A)	1	
*31	340675E	STATOR ASS'Y 230V	1	INCLUD.32
32	930703	BRUSH TERMINAL	2	
33	960251	HEX. HD. TAPPING SCREW D5X65	2	
*34	360773E	ARMATURE 230V-240V	1	
*35	326083	LEVER	1	EXCEPT FOR EUROPE GBR (230V)
*35A	379004	LEVER	1	FOR EUROPE,GBR (230V)
36	307443	MACHINE SCREW (W/WASHERS) M6X30 (BLACK)	2	
37	305812	TAPPING SCREW (W/FLANGE) D4X16 (BLACK)	4	
38	325220	HANDLE (L) B	1	
39	325171	HANDLE (L) A	1	
40	325180	SPRING GUIDE	2	
41	303316	SPRING	1	
42	303317	SPRING	1	
43	935196	MACHINE SCREW (W/WASHERS) M4X12 (BLACK)	4	
44	325174	LEVER (C)	1	
45	325175	LOCK SCREW M6	1	

\* ALTERNATIVE PARTS

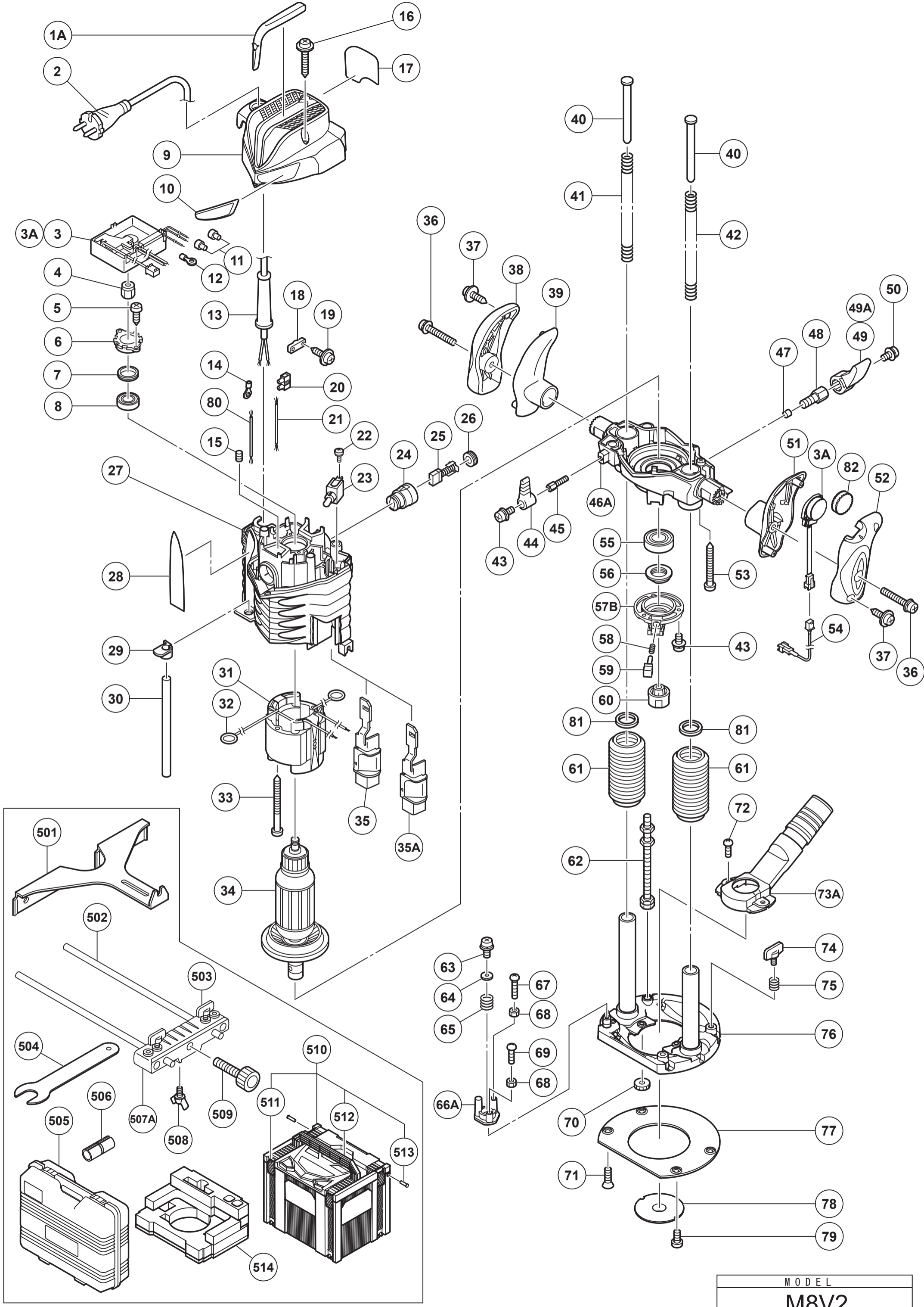
# HIKOKI

## ROUTER M8V2

Item No.	Code No.	Description	No. Used	Remarks
46A	335498	END BRACKET	1	
47	971848	LOCK PIECE	1	
48	325187	LOCK SCREW M10	1	
*49A	323923	LEVER (A)	1	
50	997314	MACHINE SCREW (W/WASHERS) M6X10	1	
51	325172	HANDLE (R) A	1	
52	325962	HANDLE (R) B	1	
53	307100	TAPPING SCREW D5X50	4	
54	325202	CORD (A)	1	
55	6004T1	BALL BEARING 6004T1XVV	1	
56	325186	THRUST NUT	1	
57B	379689	BEARING COVER	1	
58	325183	LOCK SPRING (A)	1	
59	325182	PUSHING BUTTON	1	
*60	325212	COLLET CHUCK 8MM	1	
61	325207	BELLOWS (A)	2	
62	302315	SCREW M8	1	
63	317200	MACHINE SCREW (W/WASHERS) M4X8 (BLACK)	1	
64	962569	WASHER (B)	1	
65	971858	SPRING (A)	1	
66A	379687	STOPPER BLOCK	1	
67	302316	MACHINE SCREW M5X25 (BLACK)	1	
68	302012	NUT M5 (BLACK)	2	
69	302317	MACHINE SCREW M5X16 (BLACK)	1	
*70	997467	KNOB NUT	2	FOR EUROPE,GBR,AUT
71	992013	SEAL LOCK FLAT HD. SCREW M5X14	4	
*72	949237	MACHINE SCREW M5X12 (10 PCS.)	2	FOR EUROPE,GBR,AUT
*73A	339380	DUST COLLECTION ADAPTER SET	2	INCLUD.70,72 FOR EUROPE,GBR,AUT
74	301806	WING BOLT M6X15	2	
75	947859	LOCK SPRING	2	
76	326089	BASE	1	
77	326080	SUB BASE	1	
78	956790	TEMPLATE GUIDE D18	1	
79	949234	MACHINE SCREW M5X6 (10 PCS.)	2	
*80	326179	INTERNAL WIRE (BROWN)	1	FOR FIN,NOR,SWE,DEN,AUT
81	323426	FELT	2	
82	371931	DIAL	1	
		STANDARD ACCESSORIES		
501	956797	STRAIGHT GUIDE	1	
502	971622	GUIDE BAR	2	
503	301806	WING BOLT M6X15	2	
504	323295	WRENCH 23MM	1	
*505	326095	CASE	1	EXCEPT FOR AUT,USA,CAN
*506	971852	CHUCK SLEEVE 8X6	1	FOR EUROPE,FIN,NOR,SWE,DEN
507A	379688	BAR HOLDER	1	
508	949394	WING BOLT M6X10 (10 PCS.)	1	
509	956793	FEED SCREW	1	
510	337528	CASE ASS'Y (STACKABLE 4)	1	INCLUD.511-513
511	336472	LATCH	4	
512	336473	HANDLE	1	
513	336474	HINGE	2	
514	337763	BOTTOM CUSHION	1	
		OPTIONAL ACCESSORIES		

\* ALTERNATIVE PARTS





MODEL  
M8V2