

HIKOKI

DEMOLITION HAMMER H41MB2

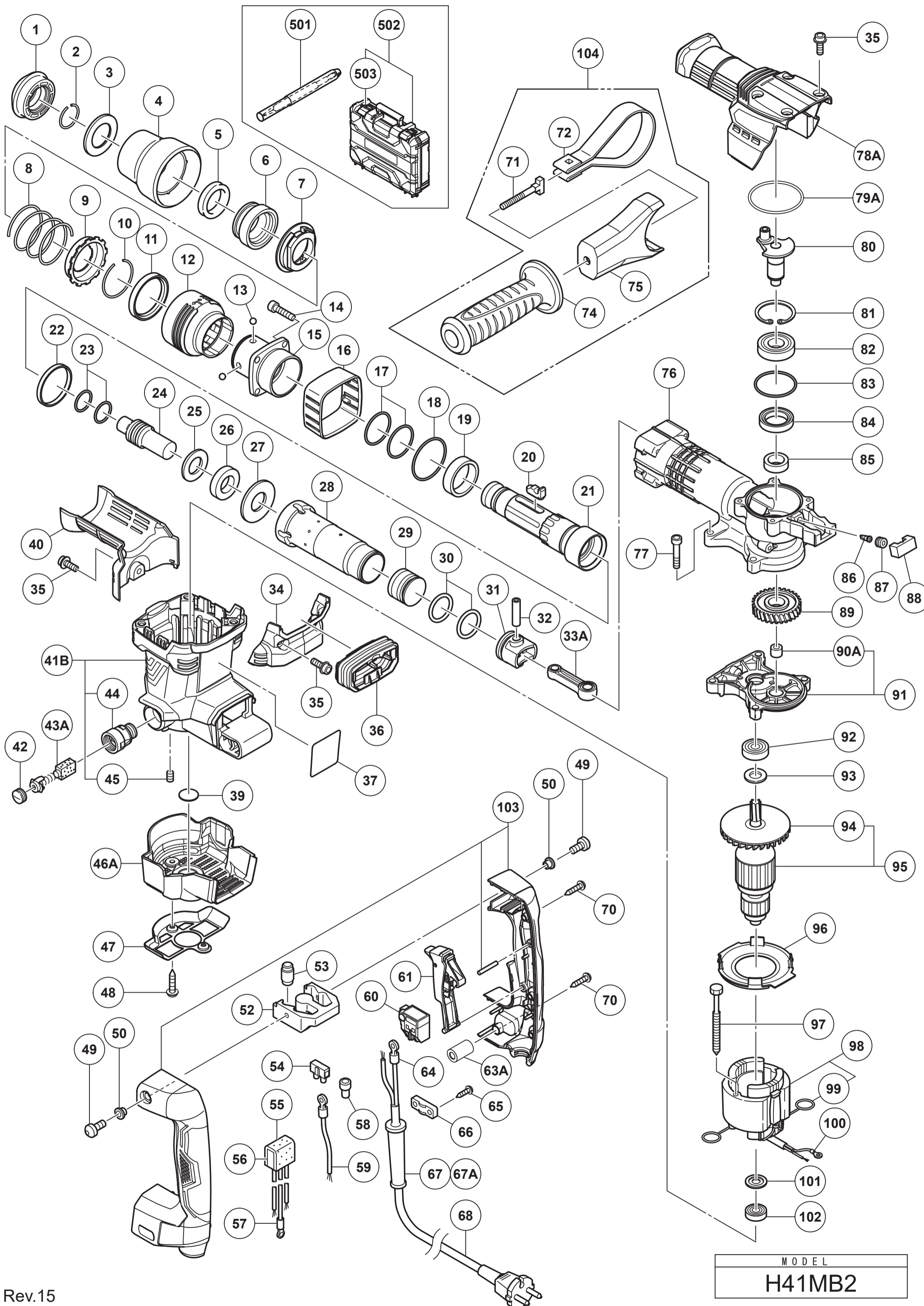
Item No.	Code No.	Description	No. Used	Remarks
1	337562	FRONT CAP	1	
2	318590	STOPPER RING	1	
3	370172	RETAINER WASHER	1	
4	370173	GRIP	1	
5	337559	RETAINER DAMPER (A)	1	
6	337558	BIT LOCK HOLDER	1	
7	370242	SPRING HOLDER (A)	1	
8	370243	RETAINER SPRING	1	
9	370244	SPRING HOLDER (B)	1	
10	333255	STOPPER RING	1	
11	373288	BALL HOLDER	1	
12	373279	GRIP (B)	1	
13	959150	STEEL BALL D6.35 (10 PCS.)	4	
14	981942	SEAL LOCK HEX. SOCKET HD. BOLT M6X25	4	
15	373280	FRONT COVER	1	
16	373236	TOP COVER	1	
17	980879	O-RING (S-34)	2	
18	373251	O-RING (I.D 44.5)	1	
19	373281	RETAINER DAMPER (B)	1	
20	370654	BIT LOCK	2	
21	373284	RETAINER SLEEVE	1	
22	373249	DAMPER (C)	1	
23	313396	O-RING (C)	2	
24	373285	SECOND HAMMER	1	
25	373286	DAMPER WASHER	1	
26	321289	DAMPER	1	
27	373287	DAMPER HOLDER	1	
28	374774	CYLINDER	1	
29	373283	STRIKER	1	
30	320823	O-RING	2	
31	320824	PISTON	1	
32	373256	PISTON PIN	1	
33A	373275	CONNECTING ROD	1	
34	373237	BACK COVER	1	
35	998485	HEX. SOCKET HD. BOLT (W/FLANGE) M5X14	7	
36	373252	BELLOWS	1	
37		NAME PLATE	1	
39	333263	DUST SEAL	1	
40	373234	HOOD	1	
41B	373276	HOUSING ASS'Y	1	INCLUD. 44, 45
42	945161	BRUSH CAP	2	
43A	999108	CARBON BRUSH (1 PAIR)	1	
43A	999094	CARBON BRUSH (AUTO STOP TYPE) (1 PAIR)	1	
44	958900	BRUSH HOLDER	2	
45	938477	HEX. SOCKET SET SCREW M5X8	2	
46A	373239	TAIL COVER	1	
47	373248	PLATE	1	
48	301653	TAPPING SCREW (W/FLANGE) D4X20 (BLACK)	2	
49	373263	SEAL LOCK BUTTON BOLT M5	2	
50	991711	DISTANCE PIECE (B)	2	
52	373231	TRANSATORY UNIT	1	
53	310124	HANDLE DAMPER	4	
*54	938307	PILLAR TERMINAL	1	FOR EUROPE, GBR, AUS, NZL, SAF, RUS, CHN, USA,

* ALTERNATIVE PARTS

HIKOKI**DEMOLITION HAMMER H41MB2**

Item No.	Code No.	Description	No. Used	Remarks
				MEX, PAN (120V)
*55	317492	SUPPORT (B)	1	FOR EUROPE, GBR, AUS, NZL, SAF, RUS, CHN
*56	374463	NOISE SUPPRESSOR (V)	1	INCLUD. 55 FOR EUROPE, GBR, AUS, NZL, SAF, RUS, CHN
*57	961419Z	TERMINAL	1	FOR EUROPE, GBR, AUS, NZL, SAF, RUS, CHN
*58	959141	CONNECTOR 50092 (10 PCS.)	1	EXCEPT FOR USA, MEX, PAN (120V)
*59	981974	INTERNAL WIRE	1	FOR EUROPE, GBR, AUS, NZL, SAF, RUS, CHN
60	371171	SWITCH	1	
61	373241	TRIGGER	1	
63A	375357	DAMPER (D)	1	
*64	980063	TERMINAL	1	
65	984750	TAPPING SCREW (W/FLANGE) D4X16	2	
66	960266	CORD CLIP	1	
*67A	953327	CORD ARMOR D8.8	1	
*68	500390Z	CORD	1	(CORD ARMOR D8.8)
70	301653	TAPPING SCREW (W/FLANGE) D4X20 (BLACK)	4	
71	331247	HANDLE BOLT	1	
72	373245	BAND	1	
74	330209	SIDE HANDLE	1	
75	373244	MOUNT	1	
76	373289	CYLINDER CRANK CASE ASS'Y	1	INCLUD. 86, 87
77	322494	SEAL LOCK HEX. SOCKET HD. BOLT M6X40	4	
78A	374474	CRANK COVER	1	
79A	878372	O-RING (I.D 52.6)	1	
80	373246	CRANK SHAFT	1	
81	948391	RETAINING RING FOR D40 HOLE	1	
82	6203DD	BALL BEARING 6203DDCMPS2L	1	
83	996363	O-RING (S-40)	1	
84	310119	OIL SEAL	1	
85	373254	DISTANCE RING	1	
86	995396	VALVE	1	
87	338313	CAP SCREW	1	
88	374461	FELT	1	
89	373255	FIRST GEAR	1	
90A	378937	NEEDLE BEARING	1	
91	373271	GEAR COVER ASS'Y	1	INCLUD. 90
92	6201DD	BALL BEARING 6201DDCMPS2L	1	
93	302429	DUST WASHER (B)	1	
94	374464	FAN	1	
*95	361080E	ARMATURE ASS'Y 220V-230V	1	INCLUD. 94
96	373238	FAN GUIDE	1	
97	953121	HEX. HD. TAPPING SCREW D5X50	2	
*98	340995E	STATOR ASS'Y 220V-230V	1	INCLUD. 99
99	930703	BRUSH TERMINAL	2	
101	982631	WASHER (A)	1	
102	608VVM	BALL BEARING 608VVC2PS2L	1	
103	375358	HANDLE (A). (B) SET	1	
104	375594	SIDE HANDLE ASS'Y	1	INCLUD. 71, 72, 74, 75
		STANDARD ACCESSORIES		
501	313471	BULL POINT (SDS MAX) 280L	1	
502	373405	CASE	1	INCLUD. 503
503	378621	LATCH. KNOB SET	2	
		OPTIONAL ACCESSORIES		

* ALTERNATIVE PARTS



MODEL
H41MB2