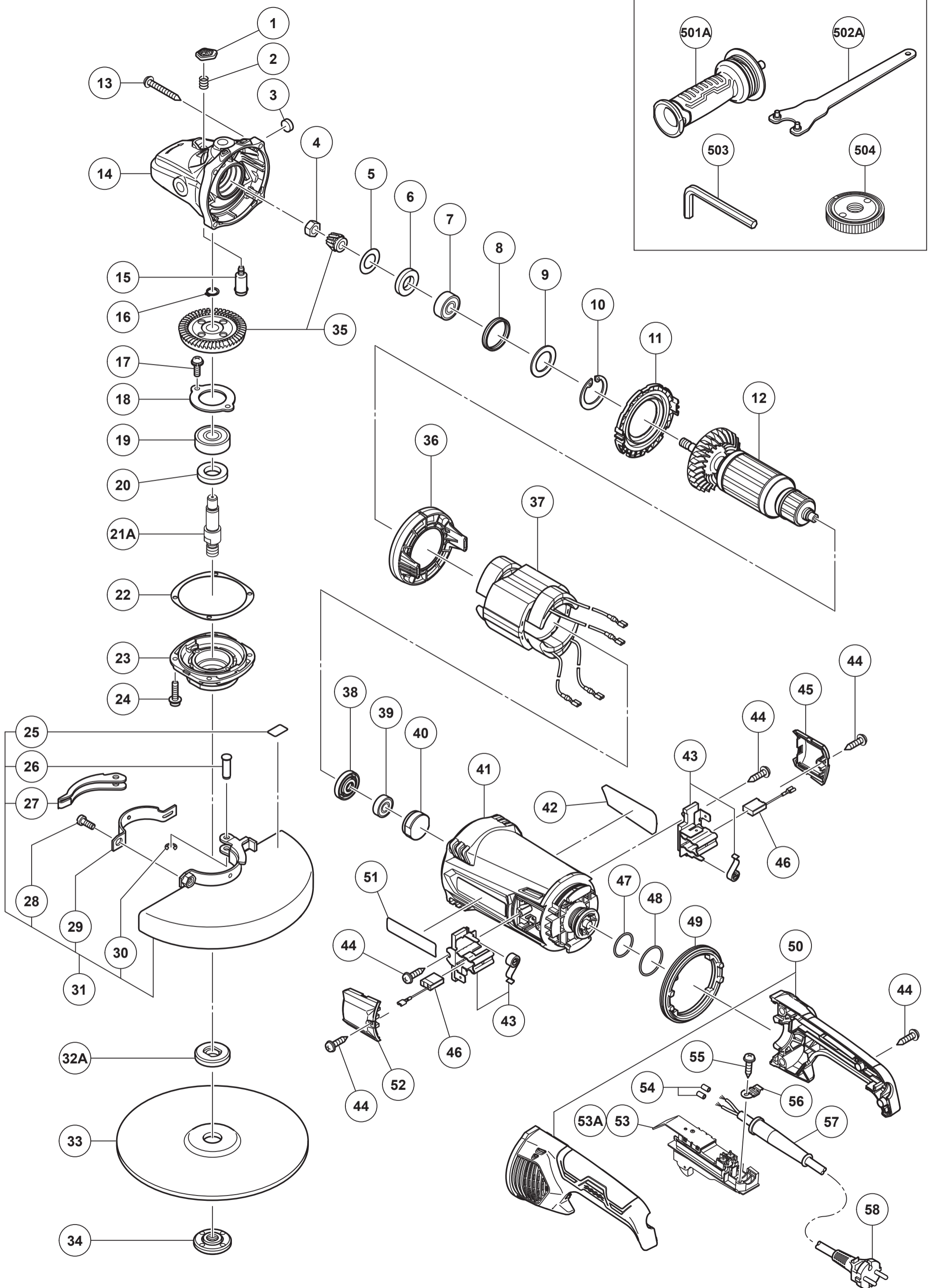


HIKOKI

DISC GRINDER G23UDY2

Item No.	Code No.	Description	No. Used	Remarks
1	337641	PUSHING BUTTON	1	
2	320219	SPRING	1	
3	937033	FELT WASHER	1	
4	320226	SPECIAL NUT M10	1	
5	320221	SEAL WASHER	1	
6	320222	FELT PACKING	1	
7	6301DD	BALL BEARING 6301DDCMPS2L	1	
8	330031	RUBBER RING	1	
9	337642	WASHER	1	
10	948391	RETAINING RING FOR D40 HOLE	1	
11	337640	FAN GUIDE (B)	1	
*12	361093E	ARMATURE 220V-230V	1	
13	323209	TAPPING SCREW (W/FLANGE) D5X35 (BLACK)	4	
14	374598	GEAR COVER (A) ASS'Y	1	INCLUD.1-3,5-10,15
15	306890	LOCK PIN	1	
16	939542	RETAINING RING FOR D12 SHAFT (10 PCS.)	1	
17	992038	SEAL LOCK SCREW (W/SP. WASHER) M5X10	2	
18	320229	BEARING COVER (B)	1	
19	6302VV	BALL BEARING 6302VVCMP2L	1	
20	990852	FELT PACKING (B)	1	
21A	378127	SPINDLE	1	
22	320228	SEAL PLATE	1	
23	320227	PACKING GLAND	1	
24	994192	HEX. SOCKET HD. BOLT (W/FLANGE) M5X16	4	
25	311492	LABEL	1	
26	321546	SET PIN	1	
27	321545	LEVER	1	
28	949760	HEX. SOCKET HD. BOLT M8X25 (10 PCS.)	1	
29	321544	SET PIECE	1	
30	673489	RETAINING RING (E-TYPE) FOR D5 SHAFT	1	
*31	381206	WHEEL GUARD ASS'Y	1	INCLUD.25-30 TYPE-C FOR EUROPE
32A	376202	WHEEL WASHER (C)	1	
34	373779	WHEEL NUT M14X2	1	
35	330688	GEAR AND PINION SET	1	
36	373752	FAN GUIDE (C)	1	
*37	341007E	STATOR 220V-230V	1	
38	330029	DUST SEAL	1	
39	6000VV	BALL BEARING 6000VVCMP2L	1	
40	321536	BEARING BUSHING	1	
41	373751	HOUSING ASS'Y	1	INCLUD.40
42		NAME PLATE	1	
43	322323	BRUSH HOLDER SET	2	
44	305812	TAPPING SCREW (W/FLANGE) D4X16 (BLACK)	8	
45	373754	BRUSH COVER	1	
*46	999061	CARBON BRUSH 7X17X22.5 (1 PAIR)	1	FOR EUROPE,RUS
*46	999089	CARBON BRUSH (AUTO STOP TYPE) (1 PAIR)	1	FOR EUROPE,RUS
47	326724	O-RING	1	
48	326725	O-RING	1	
49	373753	HANDLE DAMPER	1	
50	373921	HANDLE SET	1	
51		BRAND LABEL	1	
52	373755	BRUSH COVER	1	
*53A	381429	SWITCH	1	ON/OFF LOCK FOR EUROPE

* ALTERNATIVE PARTS



MODEL
G23UDY2