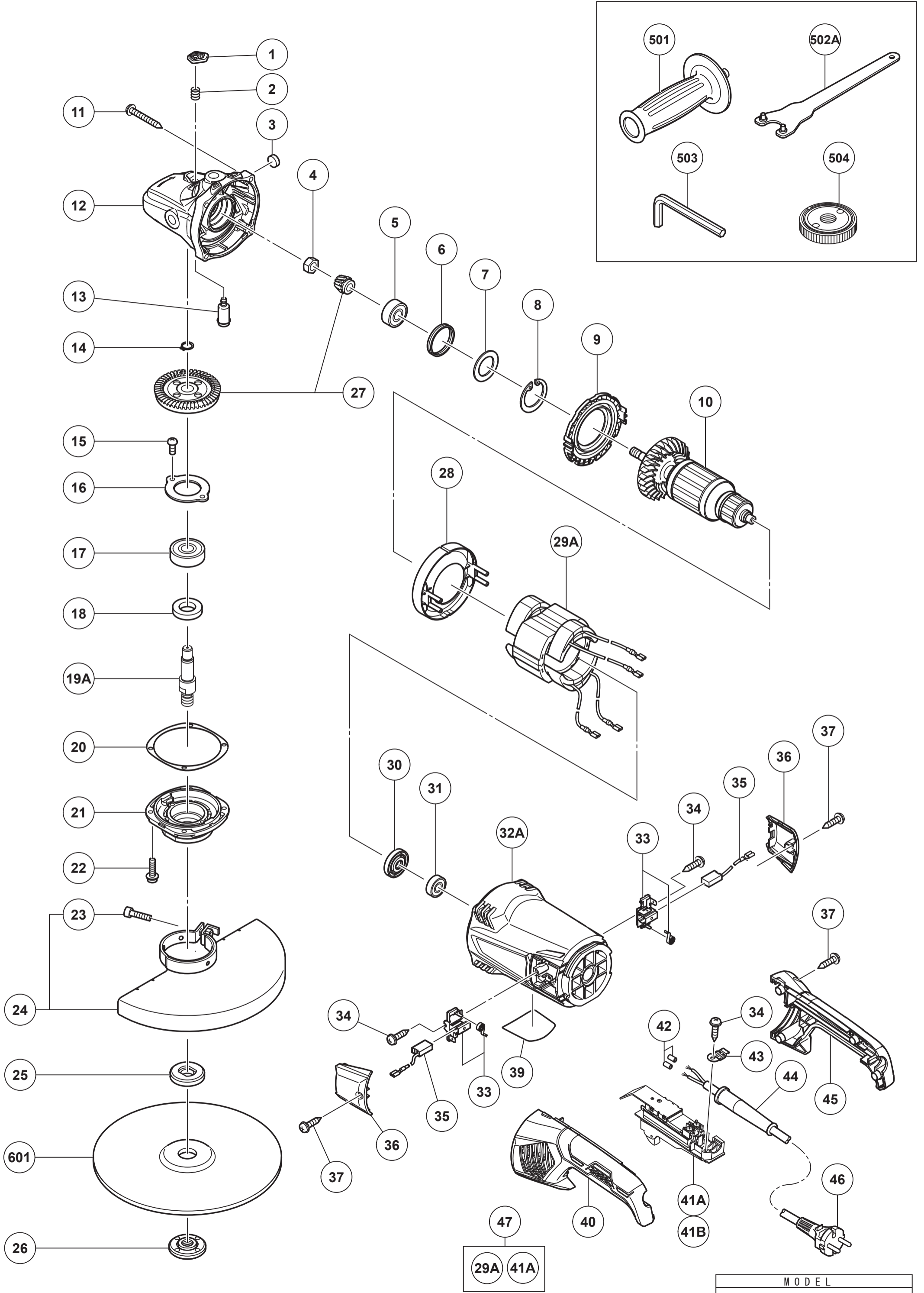


HIKOKI

DISC GRINDER G23SWU2

Item No.	Code No.	Description	No. Used	Remarks
1	337641	PUSHING BUTTON	1	
2	320219	SPRING	1	
3	937033	FELT WASHER	1	
4	320226	SPECIAL NUT M10	1	
5	6301DD	BALL BEARING 6301DDCMPS2L	1	
6	330031	RUBBER RING	1	
7	337642	WASHER	1	
8	948391	RETAINING RING FOR D40 HOLE	1	
9	337640	FAN GUIDE (B)	1	
10	360982E	ARMATURE 220V-230V	1	
11	323209	TAPPING SCREW (W/FLANGE) D5X35 (BLACK)	4	
12	337650	GEAR COVER ASS'Y	1	INCLUD.1-3,5-8,13
13	306890	LOCK PIN	1	
14	939542	RETAINING RING FOR D12 SHAFT (10 PCS.)	1	
15	949236	MACHINE SCREW M5X10 (10 PCS.)	2	
16	320229	BEARING COVER (B)	1	
17	6302VV	BALL BEARING 6302VVCMP2L	1	
18	990852	FELT PACKING (B)	1	
19A	378127	SPINDLE	1	
20	320228	SEAL PLATE	1	
21	339726	PACKING GLAND	1	
22	994192	HEX. SOCKET HD. BOLT (W/FLANGE) M5X16	4	
23	949760	HEX. SOCKET HD. BOLT M8X25 (10 PCS.)	1	
*24	381205	WHEEL GUARD ASS'Y	1	INCLUD.23 TYPE-C FOR EUROPE
25	937907Z	WHEEL WASHER (C)	1	
26	373779	WHEEL NUT M14X2	1	
27	330688	GEAR AND PINION SET	1	
28	337639	FAN GUIDE (A)	1	
29A	340888E	STATOR 220V-230V	1	SINCE 9.2019
30	330029	DUST SEAL	1	
31	6000VV	BALL BEARING 6000VVCMP2L	1	
32A	337643	HOUSING	1	
33	337646	BRUSH HOLDER	2	
34	984750	TAPPING SCREW (W/FLANGE) D4X16	3	
35	999059	CARBON BRUSH (1 PAIR)	2	
36	337649	BRUSH COVER	2	
37	305812	TAPPING SCREW (W/FLANGE) D4X16 (BLACK)	6	
39		NAME PLATE	1	
40	337644	HANDLE (A)	1	
*41B	381429	SWITCH	1	ON/OFF LOCK SINCE 9.2019 FOR EUROPE
*42	981373	TUBE (D)	2	
43	331336	CORD CLIP	1	
*44	940778	CORD ARMOR D10.7	1	
45	337645	HANDLE (B)	1	
*46	500492Z	CORD	1	(CORD ARMOR D10.7)
47	376617	SWITCH STATOR SET	1	INCLUD.29A,41A TILL 8.2019 FOR HKG
		STANDARD ACCESSORIES		
501	937981	SIDE HANDLE FOR M14	1	
502A	376127	WRENCH	1	
503	872422	HEX. BAR WRENCH 6MM	1	
*504	378126	QUICK CLAMPING NUT SET	1	FOR EUROPE
		OPTIONAL ACCESSORIES		
601	316825	D. C. WHEELS 230MM A24R (25 PCS.)	1	

* ALTERNATIVE PARTS



MODEL
G23SWU2