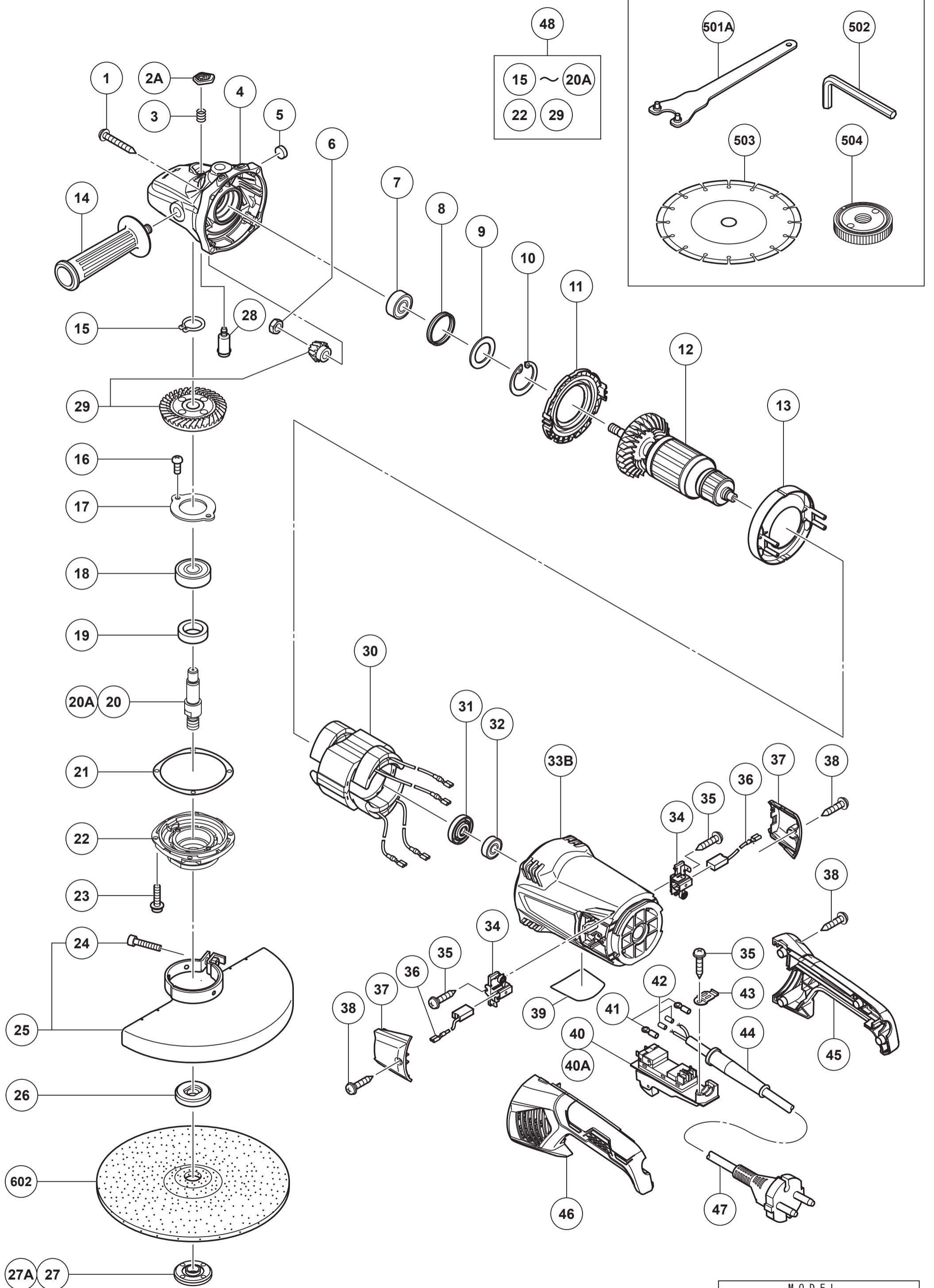


HIKOKI

DISC GRINDER G23ST

Item No.	Code No.	Description	No. Used	Remarks
1	323209	TAPPING SCREW (W/FLANGE) D5X35 (BLACK)	4	
2A	337641	PUSHING BUTTON	1	
3	320219	SPRING	1	
4	337650	GEAR COVER ASS'Y	1	INCLUD.2,3,5,7-10,28
5	937033	FELT WASHER	1	
6	320226	SPECIAL NUT M10	1	
7	6301VV	BALL BEARING 6301VVCMP2L	1	
8	330031	RUBBER RING	1	
9	337642	WASHER	1	
10	948391	RETAINING RING FOR D40 HOLE	1	
11	337640	FAN GUIDE (B)	1	
*12	360982E	ARMATURE 220V-230V	1	
13	337639	FAN GUIDE (A)	1	
14	937981	SIDE HANDLE FOR M14	1	
15	939542	RETAINING RING FOR D12 SHAFT (10 PCS.)	1	
16	949236	MACHINE SCREW M5X10 (10 PCS.)	2	
17	320229	BEARING COVER (B)	1	
18	6302VV	BALL BEARING 6302VVCMP2L	1	
19	990852	FELT PACKING (B)	1	
*20A	378127	SPINDLE	1	
21	320228	SEAL PLATE	1	
22	339726	PACKING GLAND	1	
23	994192	HEX. SOCKET HD. BOLT (W/FLANGE) M5X16	4	
24	949760	HEX. SOCKET HD. BOLT M8X25 (10 PCS.)	1	
*25	381205	WHEEL GUARD ASS'Y	1	INCLUD.24 TYPE-C FOR EUROPE
*26	937907Z	WHEEL WASHER (C)	1	
*27A	373779	WHEEL NUT M14X2	1	
28	306890	LOCK PIN	2	
29	330688	GEAR AND PINION SET	1	
*30	340888E	STATOR 220V-230V	1	
31	330029	DUST SEAL	1	
32	6000VV	BALL BEARING 6000VVCMP2L	1	
*33B	337643	HOUSING	1	
34	337646	BRUSH HOLDER	2	
35	984750	TAPPING SCREW (W/FLANGE) D4X16	3	
*36	999059	CARBON BRUSH (1 PAIR)	2	
37	337649	BRUSH COVER	2	
38	305812	TAPPING SCREW (W/FLANGE) D4X16 (BLACK)	6	
39		NAME PLATE	1	
*40A	337648	SWITCH (OFF LOCK TYPE)	1	OFF/LOCK
*42	981373	TUBE (D)	2	
43	331336	CORD CLIP	1	
*44	940778	CORD ARMOR D10.7	1	
45	337645	HANDLE (B)	1	
46	337644	HANDLE (A)	1	
*47	500492Z	CORD	1	(CORD ARMOR D10.7)
*48	381622	PACKING GLAND GEAR ASS'Y	1	INCLUD.15-20A,22,29 FOR EUROPE
		STANDARD ACCESSORIES		
501A	376127	WRENCH	1	
502	872422	HEX. BAR WRENCH 6MM	2	
*503		DIAMOND CUTTER 230MM-D22.2 HOLE	1	
				FOR EUROPE,RUS SUPPLIED WITH ITEM NO.601
*504	378126	QUICK CLAMPING NUT SET	1	FOR EUROPE

* ALTERNATIVE PARTS



MODEL
G23ST