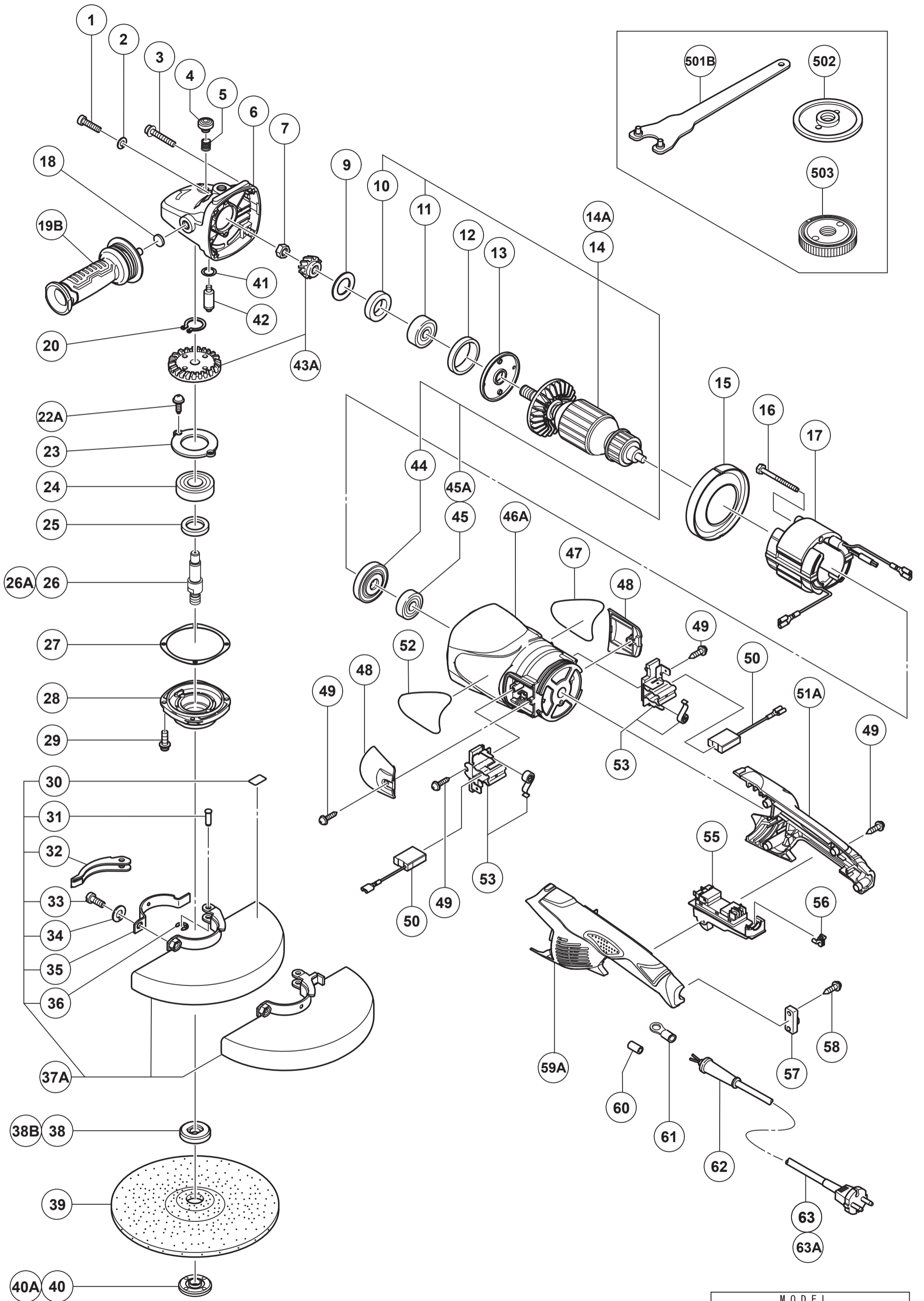


HIKOKI

DISC GRINDER G23MR

Item No.	Code No.	Description	No. Used	Remarks
1	984509	SEAL LOCK HEX. SOCKET HD. BOLT M5X14	2	
2	949454	SPRING WASHER M5 (10 PCS.)	2	
3	313585	HEX. SOCKET HD. BOLT (W/FLANGE) M5X30	4	
4	306888	PUSHING BUTTON	1	
5	320219	SPRING	1	
6	322544	GEAR COVER ASS'Y	1	INCLUD.4,5,18,41,42
7	320226	SPECIAL NUT M10	1	
9	320221	SEAL WASHER	1	
10	320222	FELT PACKING	1	
11	6301DD	BALL BEARING 6301DDCMPS2L	1	
12	994208	RUBBER RING (B)	1	
13	320220	BEARING COVER (A)	1	
14A	360594E	ARMATURE 220V-230V	1	
15	320215	FAN GUIDE	1	
16	984271	HEX. HD. TAPPING SCREW D5X75	2	
*17	340546E	STATOR 220V-230V	1	
18	937033	FELT WASHER	1	
19B	381402	SIDE HANDLE	1	
20	939542	RETAINING RING FOR D12 SHAFT (10 PCS.)	1	
22A	992038	SEAL LOCK SCREW (W/SP. WASHER) M5X10	2	
23	320229	BEARING COVER (B)	1	
24	6302DD	BALL BEARING 6302DDCMPS2L	1	
25	990852	FELT PACKING (B)	1	
*26A	378127	SPINDLE	1	
27	320228	SEAL PLATE	1	
28	320227	PACKING GLAND	1	
29	994192	HEX. SOCKET HD. BOLT (W/FLANGE) M5X16	4	
30	311492	LABEL	1	
31	321546	SET PIN	1	
32	321545	LEVER	1	
33	306887	BOLT M8X22	1	
34	949457	SPRING WASHER M8 (10 PCS.)	1	
35	321544	SET PIECE	1	
36	673489	RETAINING RING (E-TYPE) FOR D5 SHAFT	1	
*37A	381206	WHEEL GUARD ASS'Y	1	INCLUD.30-36 TYPE-C FOR EUROPE
*38B	376202	WHEEL WASHER (C)	1	EXCEPT FOR USA,CAN,PAN (SCINCE 12.2022 FOR AUS,NZL)
*40A	373779	WHEEL NUT M14X2	1	
41	320218	O-RING	1	
42	306890	LOCK PIN	1	
43A	330032	GEAR AND PINION SET	1	
44	320216	DUST SEAL	1	
45	6200VV	BALL BEARING 6200VVCMP2L	1	TILL 1.2004
45A	6000VV	BALL BEARING 6000VVCMP2L	1	SINCE 2.2004
46A	323224	HOUSING	1	
47		NAME PLATE	1	
48	322547	BRUSH COVER	2	
49	305812	TAPPING SCREW (W/FLANGE) D4X16 (BLACK)	8	
*50	999061	CARBON BRUSH 7X17X22.5 (1 PAIR)	1	FOR NZL,SAF,EUROPE,UAE (110V)
*50	999089	CARBON BRUSH (AUTO STOP TYPE) (1 PAIR)	1	FOR NZL,SAF,EUROPE,UAE (110V)
51A	322546	HANDLE (B)	1	
52		BRAND LABEL	1	
53	322323	BRUSH HOLDER SET	2	

* ALTERNATIVE PARTS



MODEL
G23MR