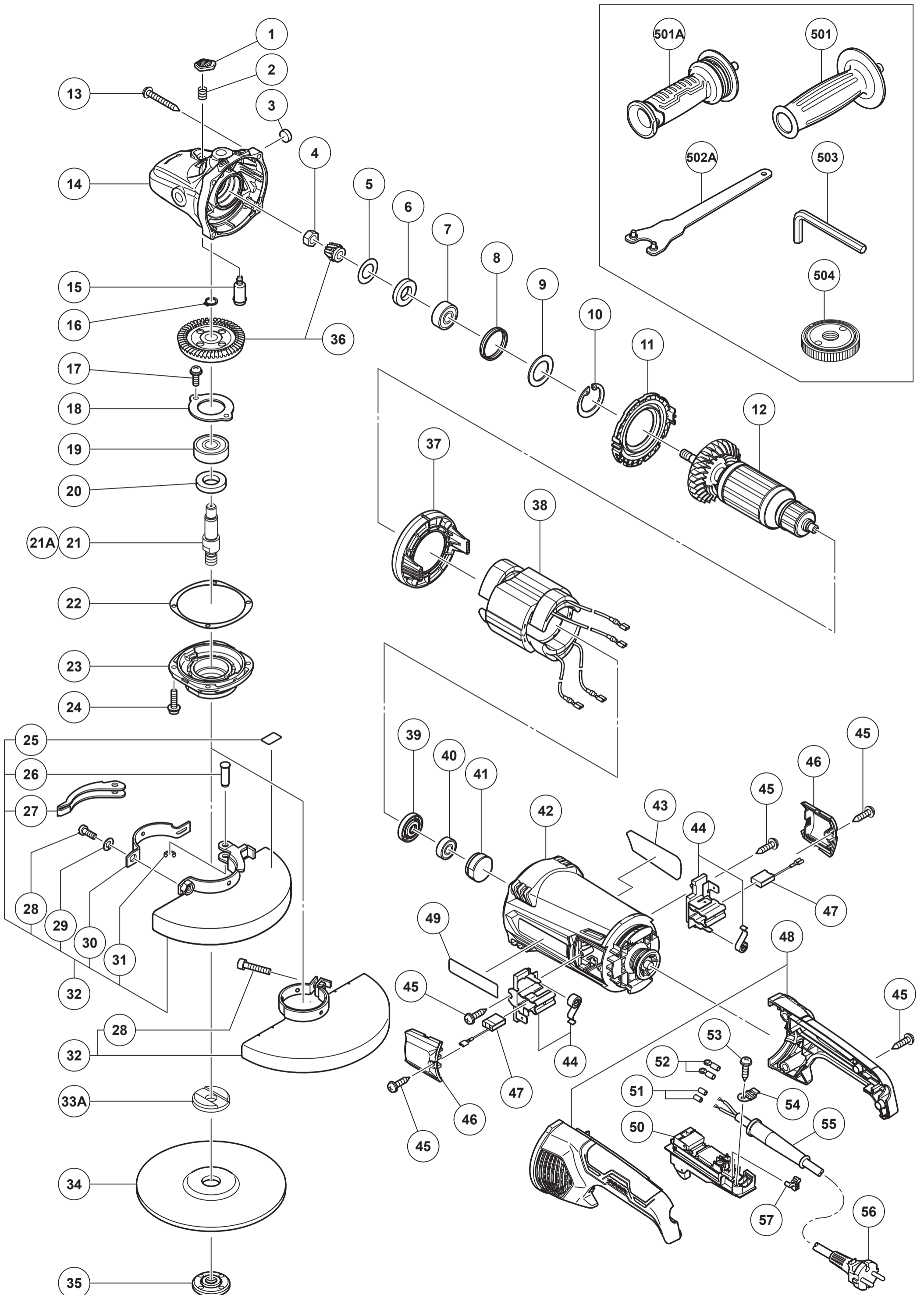


HIKOKI

DISC GRINDER G18SE4

Item No.	Code No.	Description	No. Used	Remarks
1	337641	PUSHING BUTTON	1	
2	320219	SPRING	1	
3	937033	FELT WASHER	1	
4	320226	SPECIAL NUT M10	1	
5	320221	SEAL WASHER	1	
6	320222	FELT PACKING	1	
7	6301DD	BALL BEARING 6301DDCMPS2L	1	
8	330031	RUBBER RING	1	
9	337642	WASHER	1	
10	948391	RETAINING RING FOR D40 HOLE	1	
11	337640	FAN GUIDE (B)	1	
*12	361093E	ARMATURE 220V-230V	1	
13	323209	TAPPING SCREW (W/FLANGE) D5X35 (BLACK)	4	
14	374598	GEAR COVER (A) ASS'Y	1	INCLUD.1-3,5-10,15
15	306890	LOCK PIN	1	
16	939542	RETAINING RING FOR D12 SHAFT (10 PCS.)	1	
17	992038	SEAL LOCK SCREW (W/SP. WASHER) M5X10	2	
18	320229	BEARING COVER (B)	1	
19	6302VV	BALL BEARING 6302VVCMP2L	1	
20	990852	FELT PACKING (B)	1	
*21A	378127	SPINDLE	1	
22	320228	SEAL PLATE	1	
23	320227	PACKING GLAND	1	
24	994192	HEX. SOCKET HD. BOLT (W/FLANGE) M5X16	4	
25	311492	LABEL	1	EXCEPT FOR CHN
26	321546	SET PIN	1	EXCEPT FOR CHN
27	321545	LEVER	1	EXCEPT FOR CHN
*28	949760	HEX. SOCKET HD. BOLT M8X25 (10 PCS.)	1	
30	321544	SET PIECE	1	EXCEPT FOR CHN
31	673489	RETAINING RING (E-TYPE) FOR D5 SHAFT	1	EXCEPT FOR CHN
*32	381207	WHEEL GUARD ASS'Y	1	INCLUD.25-28,30,31 TYPE-C FOR EUROPE
*33A	376202	WHEEL WASHER (C)	1	
*35	373779	WHEEL NUT M14X2	1	
*36	337919	GEAR AND PINION SET	1	
37	373752	FAN GUIDE (C)	1	
*38	341007E	STATOR 220V-230V	1	
39	330029	DUST SEAL	1	
40	6000VV	BALL BEARING 6000VVCMP2L	1	
41	321536	BEARING BUSHING	1	
42	373751	HOUSING ASS'Y	1	INCLUD.41
43		NAME PLATE	1	
44	322323	BRUSH HOLDER SET	2	
45	305812	TAPPING SCREW (W/FLANGE) D4X16 (BLACK)	8	
46	373754	BRUSH COVER	2	
*47	999061	CARBON BRUSH 7X17X22.5 (1 PAIR)	1	FOR EUROPE
*47	999089	CARBON BRUSH (AUTO STOP TYPE) (1 PAIR)	1	FOR EUROPE
48	373922	HANDLE SET	1	
49		BRAND LABEL	1	
*50	320238	SWITCH (2P PILLAR TYPE) W/SAFETY LOCK	1	OFF/LOCK FOR EUROPE,GBR (230V)
51	981373	TUBE (D)	2	EXCEPT FOR USA,CAN
53	984750	TAPPING SCREW (W/FLANGE) D4X16	1	
54	331336	CORD CLIP	1	
*55	940778	CORD ARMOR D10.7	1	

* ALTERNATIVE PARTS



MODEL
G18SE4