

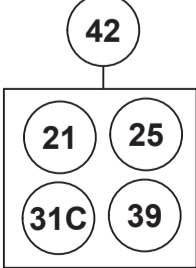
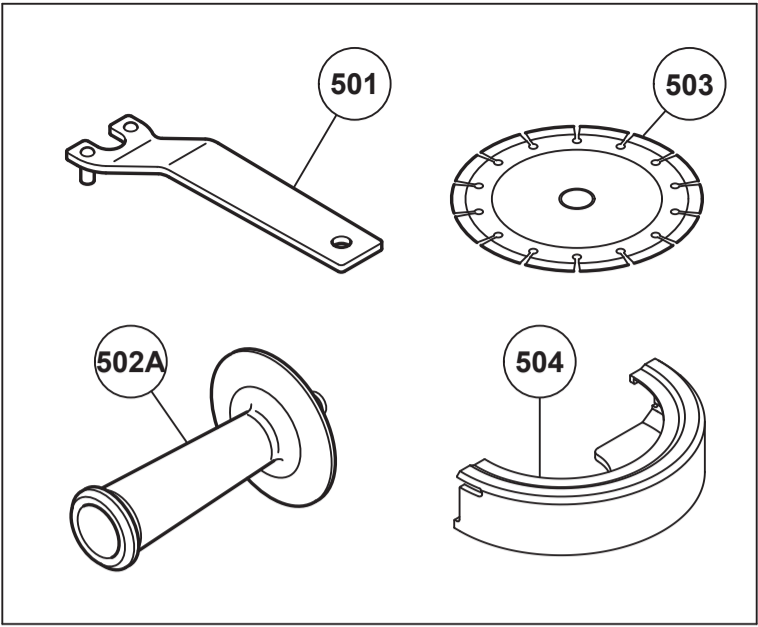
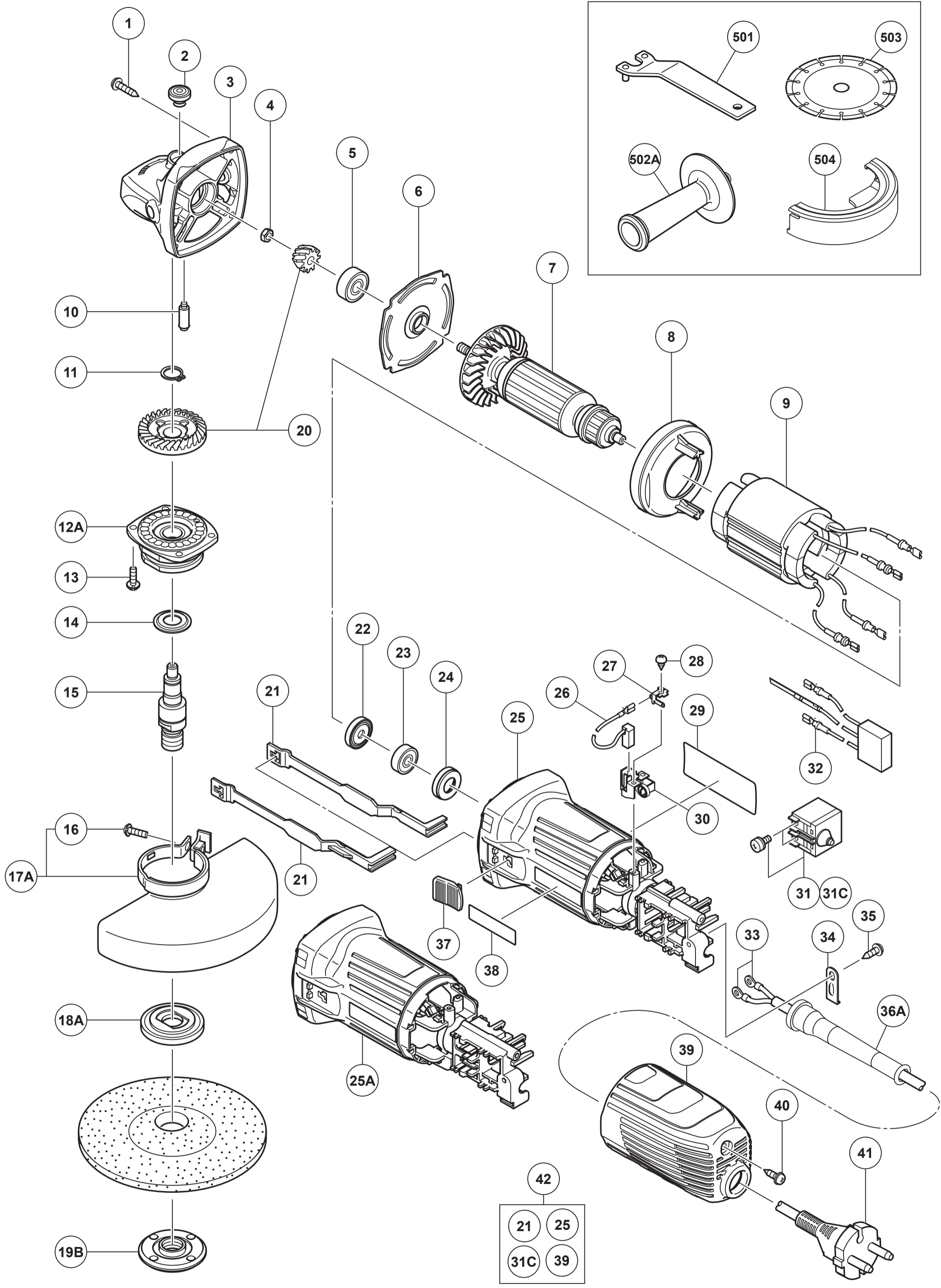
# HIKOKI

## DISC GRINDER G13STA

Item No.	Code No.	Description	No. Used	Remarks
1	328643	TAPPING SCREW (W/FLANGE) D4X23 (BLACK)	4	
2	301944	PUSHING BUTTON	1	
3	339146	GEAR COVER ASS'Y	1	INCLUD.2,10
4	309191	SPECIAL NUT M6	1	
5	338337	BALL BEARING 608SS	1	
6	338850	BEARING HOLDER	1	
7	361007E	ARMATURE 230V-240V	1	
8	338853	FAN GUIDE	1	
9	340908E	STATOR 220V-230V	1	
10	301943	LOCK PIN	1	
11	316487	RETAINING RING FOR D11 SHAFT	1	
12A	338849	PACKING GLAND	1	
13	328628	SEAL LOCK SCREW (W/WASHER) M4X12	4	
14	328185	WASHER (A)	1	
15	330700	SPINDLE	1	
16	308386	MACHINE SCREW (W/SP. WASHER) M5X16(BLACK)	1	
17A	382258	WHEEL GUARD (LABEL) ASS'Y	1	INCLUD.16
18A	376067	WHEEL WASHER	1	
19B	339579	WHEEL NUT M14	1	
20	328178	GEAR AND PINION SET	1	
*21	338855	SLIDE BAR	1	
*21	370023	SLIDE BAR	1	TILL 2.2020 FOR MODEL (S)
*21	338855	SLIDE BAR	1	SINCE 3.2020 FOR MODEL (S)
22	321722	DUST SEAL	1	
23	339145	BALL BEARING 626ZZ	1	
24	309929	RUBBER BUSHING	1	
*25	338851	HOUSING	1	
*25	338851	HOUSING	1	SINCE 3.2020 FOR MODEL (S)
*25A	370021	HOUSING	1	TILL 2.2020 FOR MODEL (S)
26	999067	CARBON BRUSH 6.5X7.5X14 (1 PAIR)	2	
27	339185	TAB TERMINAL	2	
28	328210	TAPPING SCREW D3X8	4	
29		NAME PLATE	1	
30	333844	BRUSH HOLDER	2	
*31	339149	PUSHING BUTTON SWITCH	1	
*31C	376230	PUSHING BUTTON SWITCH 220V-240V	1	SINCE 3.2020 FOR MODEL (S)
*32	339147	NOISE SUPPRESSOR 220V-240V	1	FOR MODEL (S)
*33	980063	TERMINAL	2	
*33	311741	TERMINAL	2	FOR MODEL (S)
34	338334	CORD CLIP	1	
35	305720	TAPPING SCREW (W/FLANGE) D4X12	1	
36A	380090	CORD ARMOR D8.8	1	
37	338854	SLIDE SWITCH KNOB	1	
38		BRAND LABEL	1	
*39	338852	TAIL COVER	1	
*39	370022	TAIL COVER	1	TILL 2.2020 FOR MODEL (S)
*39	338852	TAIL COVER	1	SINCE 3.2020 FOR MODEL (S)
40	305812	TAPPING SCREW (W/FLANGE) D4X16 (BLACK)	1	
41	500409Z	CORD	1	(CORD ARMOR D8.8)
42	376368	PUSHING BUTTON SWITCH SET 220V-240V	1	INCLUDE .21,25,31C,39 TILL 2.2020 FOR MODEL (S)
		STANDARD ACCESSORIES		
501	938332Z	WRENCH	1	

\* ALTERNATIVE PARTS





MODEL  
G13STA