

HIKOKI

DISC GRINDER G13SR4

Item No.	Code No.	Description	No. Used	Remarks
1	328643	TAPPING SCREW (W/FLANGE) D4X23 (BLACK)	4	
2	301944	PUSHING BUTTON	1	
3	339146	GEAR COVER ASS'Y	1	INCLUD.2,10
4	309191	SPECIAL NUT M6	1	
5	338337	BALL BEARING 608SS	1	
6	338850	BEARING HOLDER	1	
*7	361016E	ARMATURE 220V-240V	1	
8	338853	FAN GUIDE	1	
*9	340016E	STATOR 220V-230V	1	
10	301943	LOCK PIN	1	
11	316487	RETAINING RING FOR D11 SHAFT	1	
12A	338849	PACKING GLAND	1	
13	328628	SEAL LOCK SCREW (W/WASHER) M4X12	4	
14	328185	WASHER (A)	1	
15	330700	SPINDLE	1	
*16	308386	MACHINE SCREW (W/SP. WASHER) M5X16(BLACK)	1	
*17A	382258	WHEEL GUARD (LABEL) ASS'Y	1	INCLUD.16 FOR EUROPE,AUS,NZL
18A	376067	WHEEL WASHER	1	
20A	339579	WHEEL NUT M14	1	
21	339265	GEAR AND PINION SET	1	
*22	338855	SLIDE BAR	1	EXCEPT FOR MODEL(S) SINCE 6.2020 FOR MODEL(S)
*22	370023	SLIDE BAR	1	TILL 5.2020 FOR MODEL(S)
23	321722	DUST SEAL	1	
24	339145	BALL BEARING 626ZZ	1	
25	309929	RUBBER BUSHING	1	
*26	339140	HOUSING	1	EXCEPT FOR MODEL(S) SINCE 6.2020 FOR MODEL(S)
*26	370018	HOUSING	1	TILL 5.2020 FOR MODEL(S)
27	999067	CARBON BRUSH 6.5X7.5X14 (1 PAIR)	2	
28	339185	TAB TERMINAL	2	
29	328210	TAPPING SCREW D3X8	4	
30		NAME PLATE	1	
31	333844	BRUSH HOLDER	2	
*32	339149	PUSHING BUTTON SWITCH	1	
*32C	376230	PUSHING BUTTON SWITCH 220V-240V	1	SINCE 6.2020 FOR MODEL(S) 220V-240V, FOR AUS,NZL
*33	339147	NOISE SUPPRESSOR 220V-240V	1	FOR EUROPE,AUS,NZL,RUS,SAF,CHN, MODEL(S)
*34	980063	TERMINAL	2	
*34	311741	TERMINAL	2	FOR MODEL(S)
*35	338334	CORD CLIP	1	
36	305720	TAPPING SCREW (W/FLANGE) D4X12	1	
*37A	380090	CORD ARMOR D8.8	1	EXCEPT FOR CHN
38	338854	SLIDE SWITCH KNOB	1	
39		BRAND LABEL	1	
*40	339141	TAIL COVER	1	EXCEPT FOR MODEL(S) SINCE 6.2020 FOR MODEL(S)
*40	370019	TAIL COVER	1	TILL 5.2020 FOR MODEL(S)
41	305812	TAPPING SCREW (W/FLANGE) D4X16 (BLACK)	1	
*42	500409Z	CORD	1	(CORD ARMOR D8.8)
*43	376370	PUSHING BUTTON SWITCH SET 220V-240V	1	INCLUD.22,26,32C,40 TILL 5.2020 FOR MODEL(S)

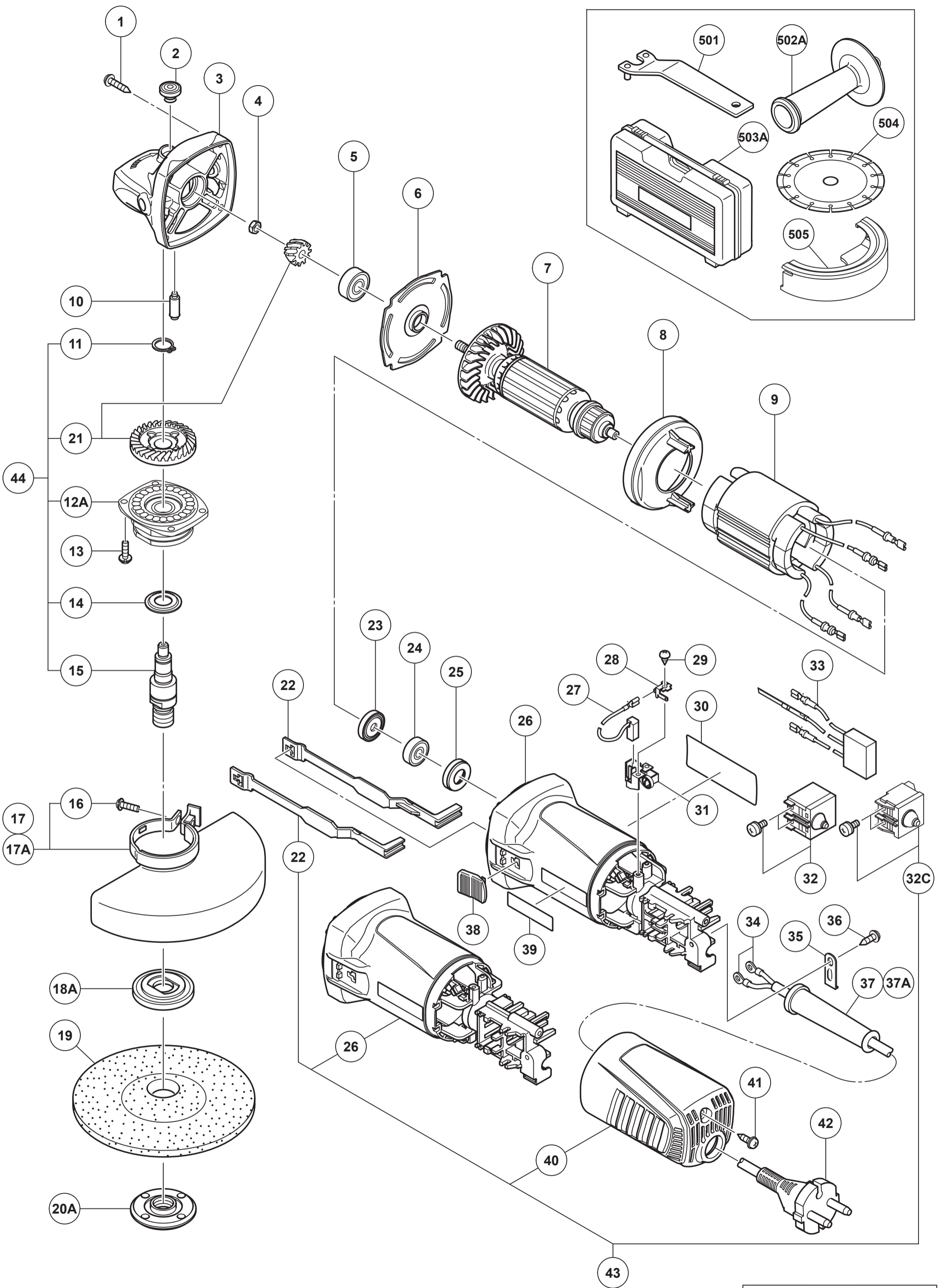
* ALTERNATIVE PARTS

HIKOKI

DISC GRINDER G13SR4

Item No.	Code No.	Description	No. Used	Remarks
*44	381644	PACKING GLAND GEAR ASS'Y	1	INCLUD. 11, 12A, 14, 15, 21 FOR EUROPE
		STANDARD ACCESSORIES		
501	938332Z	WRENCH	1	
502A	994322	SIDE HANDLE	1	
*504		DIAMOND CUTTER 125MM-D22.2 HOLE	1	
				FOR EUROPE, RUS SUPPLIED WITH ITEM NO. 601
*505	381203	CUTTING GUARD CLIP	1	FOR EUROPE, AUS, NZL
		OPTIONAL ACCESSORIES		
*601	994325	DIAMOND WHEEL (SEGMENT) 125MM-D22.2 HOLE	1	FOR EUROPE, RUS
602	937826Z	WASHER NUT	1	
603	937825Z	RUBBER PAD	1	
604	314062	SANDING DISCS 125MM C-P16 (10 PCS.)	1	
605	314063	SANDING DISCS 125MM C-P20 (10 PCS.)	1	
606	314064	SANDING DISCS 125MM C-P24 (10 PCS.)	1	
607	314065	SANDING DISCS 125MM C-P30 (10 PCS.)	1	
608	314066	SANDING DISCS 125MM C-P36 (10 PCS.)	1	
609	314067	SANDING DISCS 125MM C-P40 (10 PCS.)	1	
610	314068	SANDING DISCS 125MM C-P50 (10 PCS.)	1	
611	314069	SANDING DISCS 125MM C-P60 (10 PCS.)	1	
612	314070	SANDING DISCS 125MM C-P80 (10 PCS.)	1	
613	314071	SANDING DISCS 125MM C-P100 (10 PCS.)	1	
614	314072	SANDING DISCS 125MM C-P120 (10 PCS.)	1	
*615	333840	TOOLLESS WHEEL GUARD 125MM	1	FOR EUROPE
616	324688	SILICON RUBBER (B)	1	

* ALTERNATIVE PARTS



MODEL
G13SR4