

HIKOKI

DISC GRINDER G13SN

Item No.	Code No.	Description	No. Used	Remarks
1	307028	TAPPING SCREW (W/FLANGE) D4X25 (BLACK)	4	
2	301944	PUSHING BUTTON	1	
3	332529	GEAR COVER ASS'Y	1	INCLUD.2, 14
4	309191	SPECIAL NUT M6	1	
5	628VVC	BALL BEARING 628VVC2PS2-L	1	
6	327887	BEARING HOLDER	1	
*7	360891F	ARMATURE 230V	1	
8	327886	FAN GUIDE	1	
9	982021	HEX. HD. TAPPING SCREW D4X70	2	
*10	340791J	STATOR 230V-240V	1	
*10	340791M	STATOR 230V	1	FOR MODEL (S)
11	321722	DUST SEAL	1	
12	626VVM	BALL BEARING 626VVC2PS2L	1	
13	309929	RUBBER BUSHING	1	
14	301943	LOCK PIN	1	
15	987201	SEAL LOCK SCREW (W/SP. WASHER) M4X10	2	
16	316490	BEARING COVER	1	
17	6201VV	BALL BEARING 6201VV	1	
18	301946	FELT PACKING	1	
19	316489	PACKING GLAND	1	
20A	307127	SEAL LOCK SCREW (W/SP. WASHER) M4X12	4	
21	302047	WOODRUFF KEY	1	
*22	332536	SPINDLE	1	
23	308386	MACHINE SCREW (W/SP. WASHER) M5X16(BLACK)	2	
24	301949	SET PLATE	1	
*25	332539	WHEEL GUARD ASS'Y	1	INCLUD.23, 24
*26	937817Z	WHEEL WASHER	1	
27	316822	D. C. WHEELS 125MM A36Q (25 PCS.)	1	
*28B	339579	WHEEL NUT M14	1	
29	327888	GEAR SET	1	
*30	333366	SLIDE BAR	1	
*30	370042	SLIDE BAR	1	FOR MODEL (S)
*31	314429	SPRING	1	EXCEPT FOR MODEL (S)
32	314428	SLIDE KNOB	1	
*33	333365	HOUSING ASS'Y	1	INCLUD.13
*33	370040	HOUSING ASS'Y	1	INCLUD.13 FOR MODEL (S)
34	999005	CARBON BRUSH (1 PAIR)	2	
35A	333844	BRUSH HOLDER	2	
36	328210	TAPPING SCREW D3X8	4	
*37	938307	PILLAR TERMINAL	1	EXCEPT FOR UAE, THA, INA, IND, CHN, HKG, BRA, PAN (220V), MODEL (S)
*39	959140	CONNECTOR 50091 (10 PCS.)	1	EXCEPT FOR UAE (240V), SIN, MAL, USA, CAN, PAN (120V)
*41	980063	TERMINAL	2	FOR AUS, NZL, EUROPE, GBR, SAF, FIN, NOR, DEN, RUS, AUT, SUI, CHN, TPE, EXCEPT FOR MODEL (S)
*42	317491	NOISE SUPPRESSOR	1	FOR AUS, NZL, GBR, SAF, EUROPE, FIN, NOR, DEN, RUS, AUT, SUI, CHN, TPE
*42	370051	NOISE SUPPRESSOR	1	FOR MODEL (S)
*43	314603	SWITCH (1P SOLDER TYPE)	1	
*43B	376230	PUSHING BUTTON SWITCH 220V-240V	1	FOR MODEL (S)
*44	305499	MACHINE SCREW (W/WASHER) M3.5X6	2	EXCEPT FOR MODEL (S)
*45	332545	INTERNAL WIRE	1	FOR AUS, NZL, GBR, SAF, EUROPE, FIN, NOR, DEN, RUS, AUT, SUI, CHN, TPE

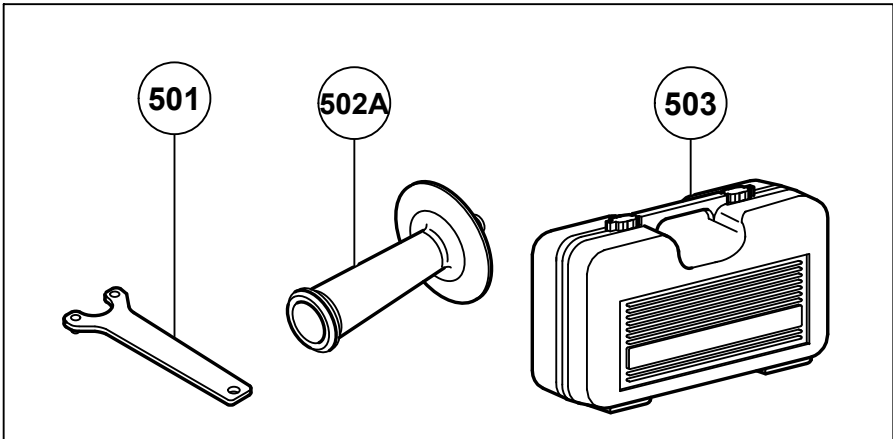
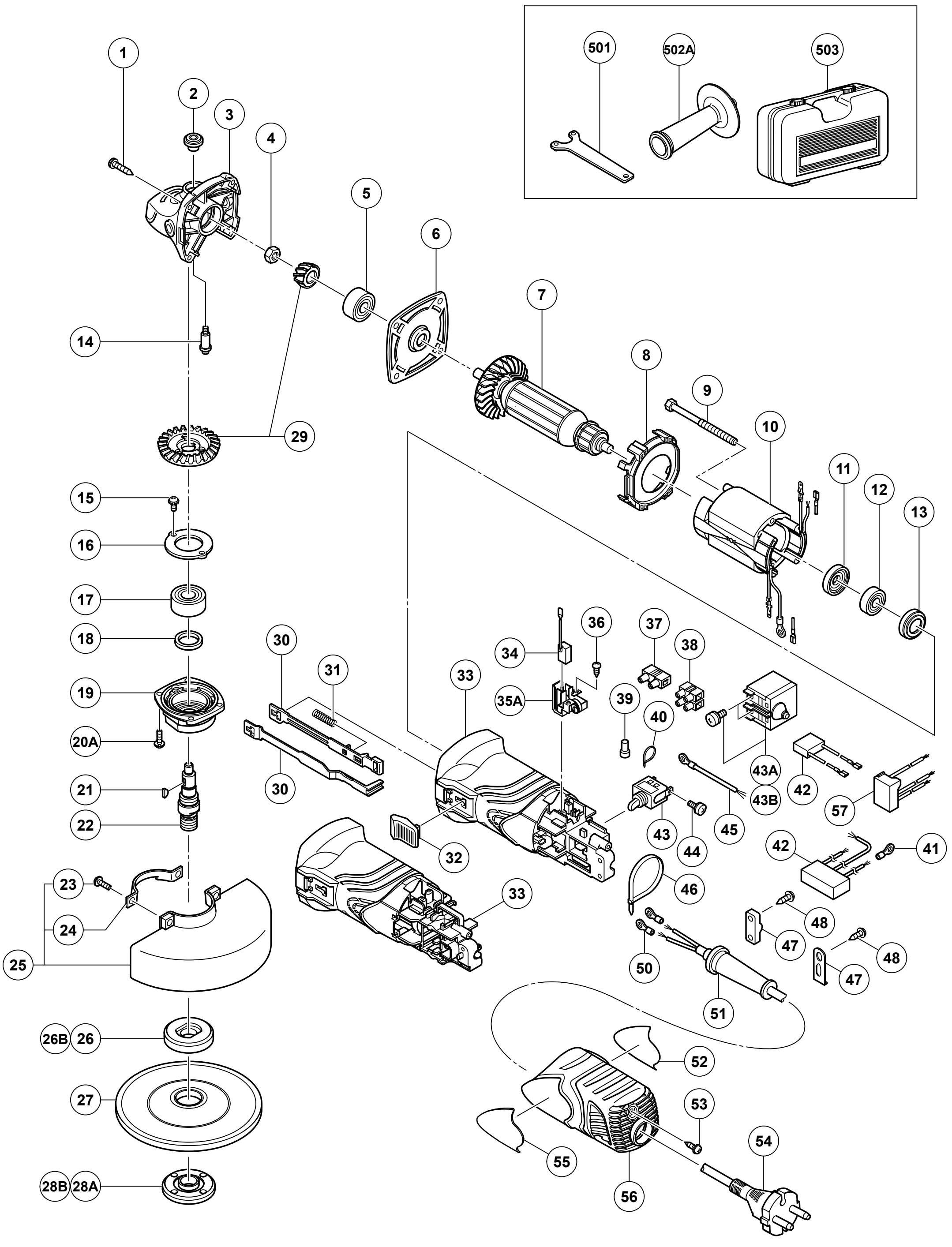
* ALTERNATIVE PARTS

HIKOKI

DISC GRINDER G13SN

Item No.	Code No.	Description	No. Used	Remarks
*45	370045	INTERNAL WIRE	1	FOR MODEL (S)
*47	937631	CORD CLIP	1	
*47	338334	CORD CLIP	1	FOR MODEL (S)
*48	984750	TAPPING SCREW (W/FLANGE) D4X16	2	
*48	305720	TAPPING SCREW (W/FLANGE) D4X12	1	FOR MODEL (S)
*50	980063	TERMINAL	1	
*50	311741	TERMINAL	2	FOR MODEL (S)
*51	953327	CORD ARMOR D8.8	1	
52		NAME PLATE	1	
53	307811	TAPPING SCREW (W/FLANGE) D4X16 (BLACK)	1	
*54	500409Z	CORD	1	(CORD ARMOR D8.8)
*54	500247Z	CORD	1	(CORD ARMOR D8.8) FOR FIN,NOR,DEN
55		BRAND LABEL	1	
*56	327894	TAIL COVER	1	
*56	370041	TAIL COVER	1	FOR MODEL (S)
*57	370043	VARISTOR (A)	1	FOR MODEL (S)
		STANDARD ACCESSORIES		
501	938332Z	WRENCH	1	
*502A	994322	SIDE HANDLE	1	
		OPTIONAL ACCESSORIES		
601	314062	SANDING DISCS 125MM C-P16 (10 PCS.)	1	
602	314063	SANDING DISCS 125MM C-P20 (10 PCS.)	1	
603	314064	SANDING DISCS 125MM C-P24 (10 PCS.)	1	
604	314065	SANDING DISCS 125MM C-P30 (10 PCS.)	1	
605	314066	SANDING DISCS 125MM C-P36 (10 PCS.)	1	
606	314067	SANDING DISCS 125MM C-P40 (10 PCS.)	1	
607	314068	SANDING DISCS 125MM C-P50 (10 PCS.)	1	
608	314069	SANDING DISCS 125MM C-P60 (10 PCS.)	1	
609	314070	SANDING DISCS 125MM C-P80 (10 PCS.)	1	
610	314071	SANDING DISCS 125MM C-P100 (10 PCS.)	1	
611	314072	SANDING DISCS 125MM C-P120 (10 PCS.)	1	
*612	937826Z	WASHER NUT	1	
*613	937825Z	RUBBER PAD	1	
*614	324688	SILICON RUBBER (B)	1	FOR (S)

* ALTERNATIVE PARTS



MODEL
G13SN