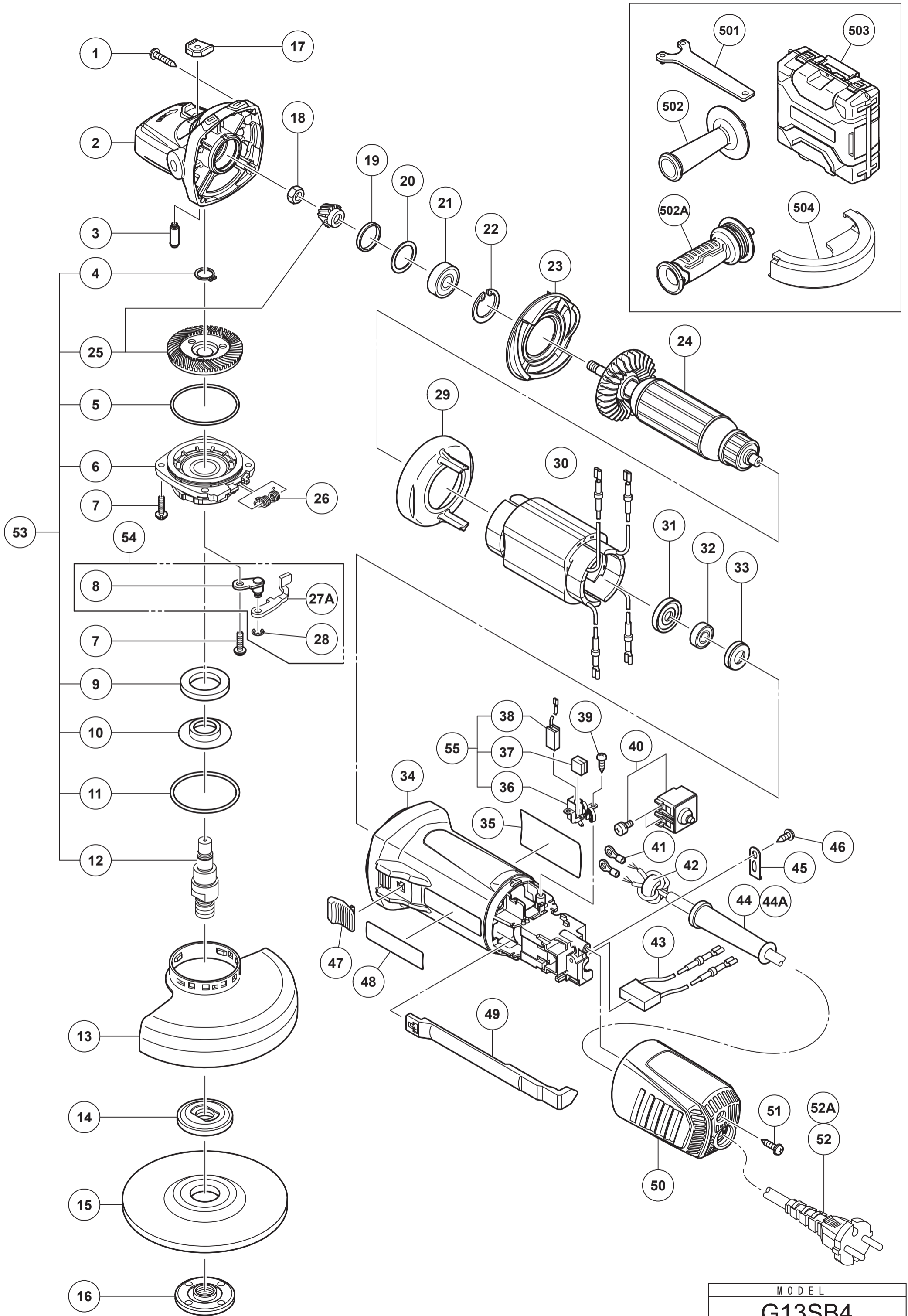


HIKOKI

DISC GRINDER G13SB4

Item No.	Code No.	Description	No. Used	Remarks
1	307028	TAPPING SCREW (W/FLANGE) D4X25 (BLACK)	4	
2	375889	GEAR COVER	1	INCLUD.3,17
3	301943	LOCK PIN	1	
4	939542	RETAINING RING FOR D12 SHAFT (10 PCS.)	1	
5	375899	O-RING	1	
6	375887	PACKING GLAND	1	
7	376226	SEAL LOCK SCREW (W/SP. WASHER) M4X14	4	
8	375894	LEVER HOLDER	1	
9	376227	FELT PACKING	1	
10	376228	FRINGER	1	
11	375900	O-RING	1	
12	375895	SPINDLE	1	
13	375904	WHEEL GUARD (LABEL)	1	
14	376067	WHEEL WASHER	1	
15	316822	D. C. WHEELS 125MM A36Q (25 PCS.)	1	
16	339579	WHEEL NUT M14	1	
17	336535	PUSHING BUTTON	1	
18	301941	SPECIAL NUT M7	1	
19	308543	SEAL RING (A)	1	
20	980866	WASHER (C)	1	
21	629VVM	BALL BEARING 629VV	1	
22	939554	RETAINING RING FOR D26 HOLE (10 PCS.)	1	
23	336542	DIFFUSER	1	
*24	361131E	ARMATURE 230V-240V	1	
25	375888	GEAR AND PINION SET	1	
26	376229	SPRING	1	
27A	379736	LEVER	1	
28	6685336	RETAINING RING D4	1	
29	336530	FAN GUIDE	1	
30	341070F	STATOR 230V-240V	1	
31	336536	DUST SEAL	1	
32	336871	BALL BEARING 698SS	1	
33	309929	RUBBER BUSHING	1	
34	375878	HOUSING	1	
35		NAME PLATE	1	
36	336537	BRUSH HOLDER	2	
37	336872	CUSHION SPONGE	2	
38	999088	CARBON BRUSH (1 PAIR)	2	
39	328210	TAPPING SCREW D3X8	4	
*40	376230	PUSHING BUTTON SWITCH 220V-240V	1	FOR GBR, EUROPE(S), AUS, NZL
41	980063	TERMINAL	2	
42	334379	FERRITE CORE	1	
43	375898	NOISE SUPPRESSOR	1	
*44A	380090	CORD ARMOR D8.8	1	EXCEPT FOR CHN
45	937631	CORD CLIP	1	
46	305720	TAPPING SCREW (W/FLANGE) D4X12	1	
47	314428	SLIDE KNOB	1	
48		BRAND LABEL	1	
49	375882	SLIDE BAR	1	
50	370047	TAIL COVER	1	
51	301653	TAPPING SCREW (W/FLANGE) D4X20 (BLACK)	1	
*52A	500492Z	CORD	1	(CORD ARMOR D8.8)
*53	381624	PACKING GLAND GEAR ASS'Y	1	INCLUD.4-6,9-12,25 FOR EUROPE

* ALTERNATIVE PARTS



MODEL
G13SB4