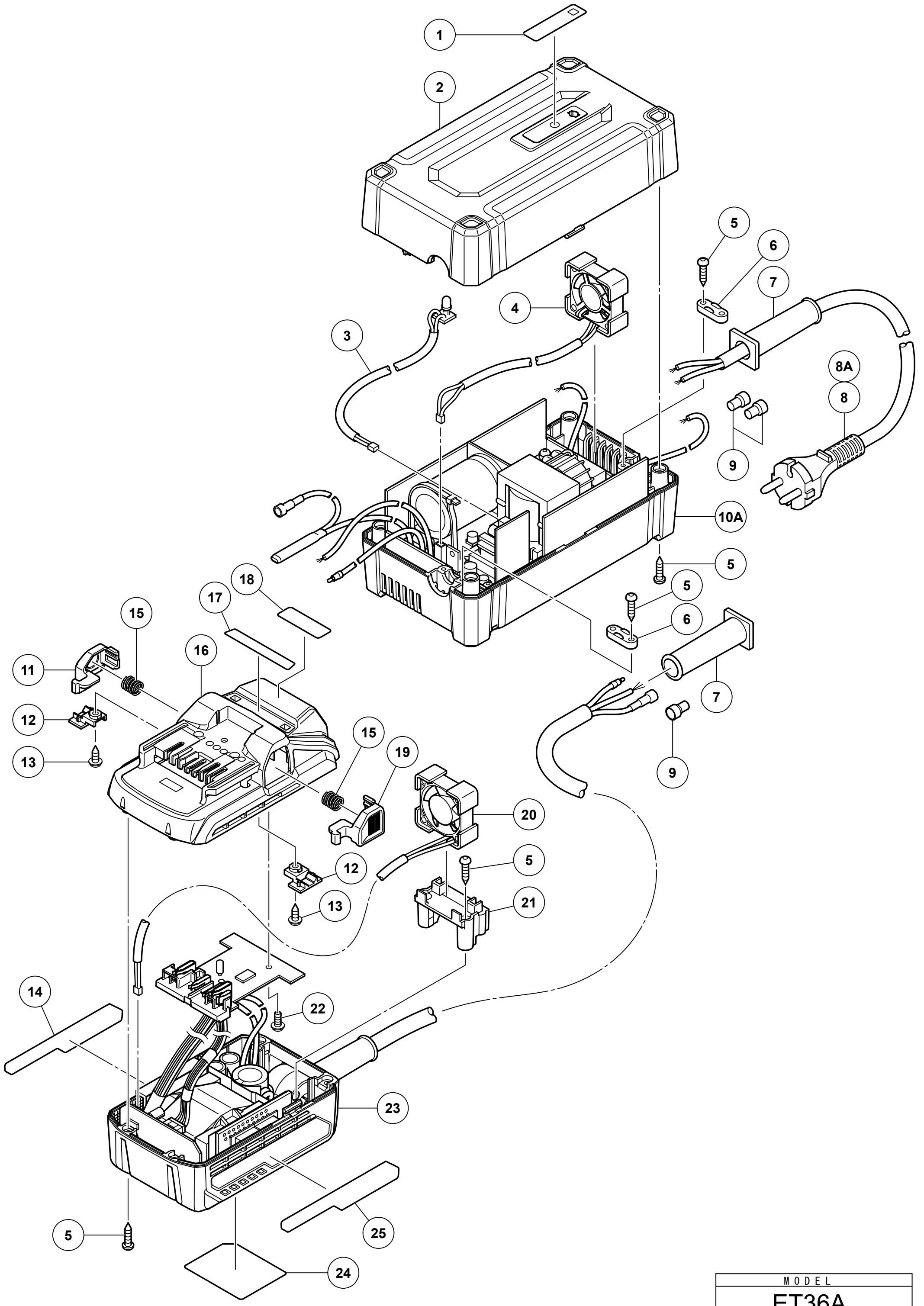


HIKOKI

AC/DC ADAPTER

Item No.	Code No.	Description	No. Used	Remarks
*1	374465	BRAND LABEL (HIKOKI)	1	
*1	374465M	BRAND LABEL (METABOHPT)	1	
2	374265	CASE (D)	1	
3	374270	LED PCB	1	
4	374269	FAN	1	
5	374266	TAPING SCREW D3X16	14	
6	373311	CORD CLIP	2	
7	374267	CORD ARMOR	2	TILL 2.2019
*8	500434Z	CORD	1	FOR USA,CAN
*8	500450Z	CORD	1	FOR GBR,UAE
*8	500439Z	CORD	1	FOR AUS,NZL
*8	500549Z	CORD	1	FOR CHN
8A	500547Z	CORD	1	
9	959141	CONNECTOR 50092 (10 PCS.)	3	
10A	374273	CASE (C) 120V	1	
10A	374274	CASE (C) 230V-240V	1	
11	373315	LATCH (L)	1	
12	373317	PLATE	2	
13	372288	TAPPING SCREW (W/FLANGE) D3X12	2	
14		BRAND LABEL (A)	1	
15	373318	SPRING	2	
16	373306	CASE (B)	1	
*17	374466	PANEL SHEET (HIKOKI)	1	
*17	374466M	PANEL SHEET (METABOHPT)	1	
18		NAME PLATE	1	
				FOR AUS,NZL
19	373316	LATCH (R)	1	
20	374268	FAN	1	
21	374271	FAN HOLDER	1	
22	373314	TAPPING SCREW D3X10	2	
*23	374276	CASE (A) 120V	1	INCLUD.5-7
*23	374277	CASE (A) 230V-240V	1	INCLUD.5-7
24		NAME PLATE	1	
25		BRAND LABEL (B)	1	

* ALTERNATIVE PARTS



MODEL
ET36A