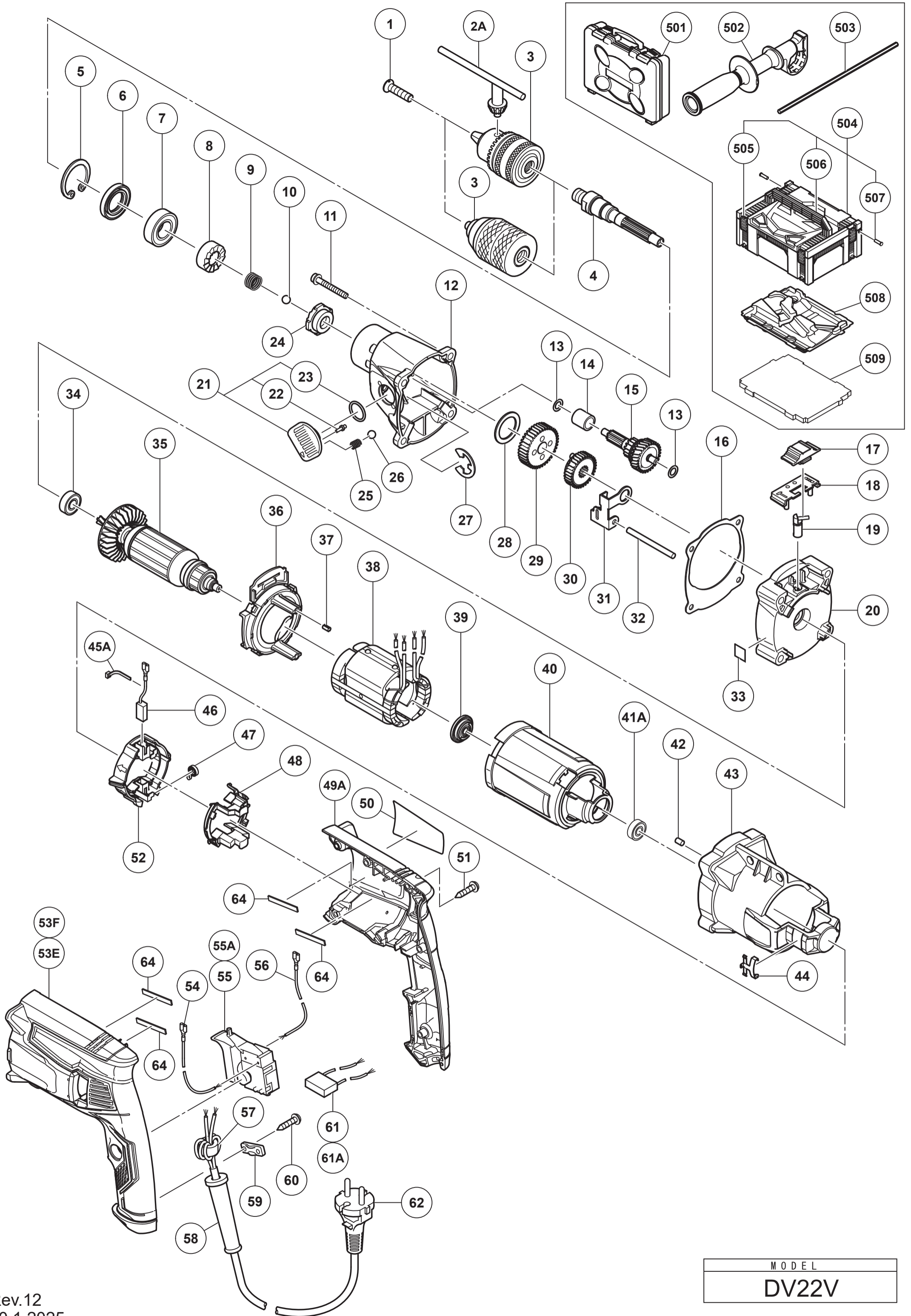


HIKOKI

IMPACT DRILL DV22V

Item No.	Code No.	Description	No. Used	Remarks
1	995344	FLAT HD. SCREW (A) (LEFT HAND) M6X25	1	
*3	319546	DRILL CHUCK 13VLRE-N (KEYLESS TYPE)	1	
4	338738	SPINDLE (A)	1	
5	939556	RETAINING RING FOR D35 HOLE (10 PCS.)	1	
6	971745	OIL SEAL (A)	1	
7	6003DD	BALL BEARING 6003DD	1	
8	338771	RATCHET (D)	1	
9	984101	SPRING (A)	1	
10	959150	STEEL BALL D6.35 (10 PCS.)	1	
11	338764	HEX. SOCKET HD. BOLT (W/FLANGE) M5X45	4	
12	338769	GEAR COVER (A) ASS'Y	1	INCLUD.24
13	322852	WASHER (B)	2	
14	338744	DISTANCE PIECE	1	
15	338743	SECOND PINION (A)	1	
16	339222	PACKING	1	
17	338746	CHANGE LEVER	1	
18	338747	CHANGE COVER	1	
19	338748	CHANGE SHAFT	1	
20	338745	INNER COVER (A)	1	
21	338737	SHIFT LEVER ASS'Y	1	INCLUD.22,23
22	322848	SHIFT PIN	1	
23	878885	O-RING (S-18)	1	
24	338770	RATCHET (C)	1	
25	981328	SPRING (H)	1	
26	335299	STEEL BALL D3.5 (10 PCS.)	1	
27	323048	RETAINING RING (E-TYPE) FOR D15 SHAFT	1	
28	339223	WASHER	1	
29	338740	LOW SPEED GEAR	1	
30	338741	HIGH SPEED GEAR	1	
31	338742	SHIFT ARM	1	
32	984104	PIN D5	1	
33		LABEL (SLIP CLUTCH)	1	
34	608DDM	BALL BEARING 608DD	1	
*35	361002E	ARMATURE 230V	1	
36	338754	FAN GUIDE (B)	1	
37	338755	RUBBER BUSH	2	
*38	340905E	STATOR 230V-240V	1	
39	338751	DUST SEAL	1	
40	338750	STATOR HOLDER	1	
41A	381409	BALL BEARING 607VVC2	1	
42	931701	BEARING LOCK	1	
43	338749	HOUSING (B)	1	
44	338761	CLICK PLATE	2	
45A	313505	WIRE BAND	2	
46	999088	CARBON BRUSH (1 PAIR)	2	
47	339292	SPRING	2	
48	338760	BRUSH COVER	1	
49A	375876	HANDLE COVER (B) ASS'Y	1	INCLUD.64
50		NAME PLATE	1	
51	301653	TAPPING SCREW (W/FLANGE) D4X20 (BLACK)	7	
52	338759	BRUSH HOLDER	1	
*53E	375874	HANDLE COVER (A) ASS'Y	1	INCLUD.64
54	338758	INTERNAL WIRE L100	1	

* ALTERNATIVE PARTS



MODEL
DV22V