

HIKOKI

ROTARY HAMMER DH40MC

Item No.	Code No.	Description	No. Used	Remarks
1	371151	FRONT CAP	1	
2	331540	STOPPER RING	1	
3	371138	RETAINER WASHER	1	
4	371152	RETAINER DAMPER (A)	1	
5	330209	SIDE HANDLE	1	
*6	337577	WING BOLT	1	EXCEPT FOR EUROPE, GBR, UAE, ISR, VIE (TILL 3.2023 FOR EUROPE, GBR, UAE, ISR, VIE)
*7	949859	ROLL PIN D2X8 (10 PCS.)	1	EXCEPT FOR EUROPE, GBR, UAE, ISR, VIE (TILL 3.2023 FOR EUROPE, GBR, UAE, ISR, VIE)
8	371135	MOUNT	1	
*9	949556	NUT M6 (10 PCS.)	1	EXCEPT FOR EUROPE, GBR, UAE, ISR, VIE (TILL 3.2023 FOR EUROPE, GBR, UAE, ISR, VIE)
10	331247	HANDLE BOLT	1	
11	371133	GRIP	1	
12	371157	BIT LOCK HOLDER	1	
13	371159	THRUST PLATE	1	
14	371167	RETAINER SPRING	1	
15	371145	SPRING HOLDER (A)	1	
16	331246	BAND	1	
17	371141	RETAINING RING D55	1	
18	6907DD	BALL BEARING 6907DDU	1	
19	371142	BEARING WASHER	1	
20	371148	OIL SEAL	1	
21	991712	HEX. SOCKET HD. BOLT (W/FLANGE) M6X25	4	
22	371125	CYLINDER CASE	1	
23	956996	O-RING (1AS-60)	1	
24	371153	RETAINER DAMPER (B)	1	
25	371144	DAMPER SLEEVE	1	
26	371161	RETAINER DAMPER WASHER	1	
27	370654	BIT LOCK	2	
28	371155	RETAINER SLEEVE	1	
29	313396	O-RING (C)	1	
30	371160	SECOND HAMMER	1	
31	371163	DAMPER WASHER	1	
32	371316	DAMPER	1	
33	371164	DAMPER HOLDER	1	
34	371165	STRIKER	1	
35	986104	O-RING	1	
36	371156	CYLINDER	1	
37	331533	SPRING HOLDER (B)	1	
38	331534	LOCK SPRING	1	
39A	331535	LOCK SLEEVE	1	
40	371166	CLUTCH SPRING	1	
41	371137	CLUTCH	1	
42	371147	SLIDER	1	
43	371158	BEVEL GEAR	1	
44	331234	THRUST WASHER	1	
45	986104	O-RING	1	
46	331221	PISTON PIN	1	
47	326369	PISTON	1	
48A	376787	CONNECTING ROD	1	
49	371172	FAN GUIDE	1	
50	953174	HEX. HD. TAPPING SCREW D5X55	2	

* ALTERNATIVE PARTS

HIKOKI

ROTARY HAMMER DH40MC

Item No.	Code No.	Description	No. Used	Remarks
51	371123	STATOR HOLDER	2	
52	338755	RUBBER BUSH	2	
53	930703	BRUSH TERMINAL	2	
*54	340963E	STATOR ASS'Y 230V	1	INCLUD.53
55	371174	HOUSING ASS'Y	1	INCLUD.58,59
56	945161	BRUSH CAP	2	
57	999043	CARBON BRUSH (1 PAIR)	1	
57	999073	CARBON BRUSH (AUTO STOP TYPE) (1 PAIR)	1	
58	958900	BRUSH HOLDER	2	
59	938477	HEX. SOCKET SET SCREW M5X8	2	
60	958915	WASHER (A)	1	
61	629VVM	BALL BEARING 629VV	1	
62	371139	BEARING HOLDER	1	
63	331547	DUST SEAL	1	
64	371127	TAIL COVER	1	
65	302089	TAPPING SCREW (W/FLANGE) D5X20 (BLACK)	4	
*66	371177	NOISE SUPPRESSOR (V)	1	FOR EUROPE,GBR,AUS,NZL,SAF,RUS,TUR,CHN
*67	938307	PILLAR TERMINAL	1	EXCEPT FOR THA,INA,SIN,MAL,IND,PAN(220V) CHN
*68	959141	CONNECTOR 50092 (10 PCS.)	1	
69		NAME PLATE	1	
*70A	500550Z	CORD	1	(CORD ARMOR D10.7)
*71	940778	CORD ARMOR D10.7	1	
72	6201DD	BALL BEARING 6201DDCMPS2L	1	
73	325003	DUST WASHER (B)	1	
*74	361058E	ARMATURE 230V	1	
75	994192	HEX. SOCKET HD. BOLT (W/FLANGE) M5X16	2	
76	371129	HANDLE	1	
77	371128	TRIGGER	1	
78	371171	SWITCH	1	
79	371130	HANDLE COVER	1	
80	307028	TAPPING SCREW (W/FLANGE) D4X25 (BLACK)	2	
*81	980063	TERMINAL	1	
82	371149	INTERNAL WIRE	1	
83	960266	CORD CLIP	1	
84	984750	TAPPING SCREW (W/FLANGE) D4X16	2	
85	371136	CRANK SHAFT	1	
86	944109	FEATHER KEY 3X3X8	1	
87	948391	RETAINING RING FOR D40 HOLE	1	
88	6203DD	BALL BEARING 6203DDCMPS2L	1	
89	996363	O-RING (S-40)	1	
90A	373199	OIL SEAL (B)	1	
91	371173	CRANK CASE ASS'Y	1	INCLUD.121,122
92	986940	SEAL LOCK HEX. SOCKET HD. BOLT M6X45	4	
93	371176	SLIP CLUTCH ASS'Y	1	INCLUD.94-96,98-106
94	331211	BEVEL PINION	1	
95	944109	FEATHER KEY 3X3X8	1	
96	321279	COLLAR	1	
97	313050	OIL SEAL (A)	1	
98	6002DD	BALL BEARING 6002DDCMPS2L	1	
99	331213	WASHER	1	
100	331214	WASHER (A)	1	
101	331215	SECOND GEAR	1	

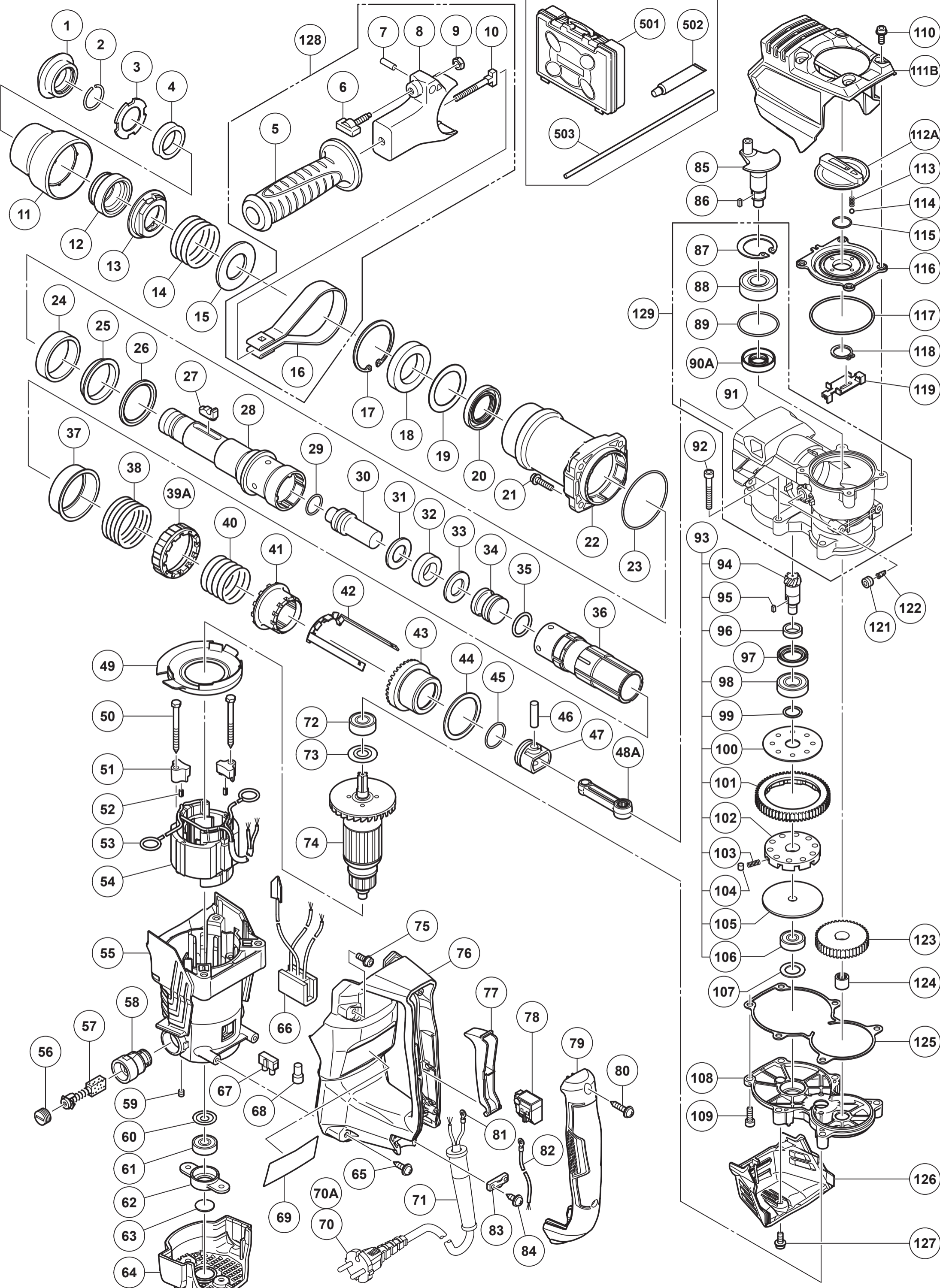
* ALTERNATIVE PARTS

HIKOKI

ROTARY HAMMER DH40MC

Item No.	Code No.	Description	No. Used	Remarks
102	321281	GEAR HOLDER	1	
103	321282	SPRING (C)	10	
104	331217	NEEDLE	10	
105	331219	SPACER	1	
106	629VVM	BALL BEARING 629VV	1	
107	331220	BEARING WASHER (C)	1	
108	371124	GEAR COVER	1	
109	992803	SEAL LOCK HEX. SOCKET HD. BOLT M6X20	2	
110	371170	HEX. SOCKET HD. BOLT (W/FLANGE) M5X18	4	
*111B	373701	CRANK COVER	1	
112A	381391	CHANGE LEVER	1	
113	371168	LEVER SPRING	1	
114	959149	STEEL BALL D4.76 (10 PCS.)	1	
115	878885	O-RING (S-18)	1	
116	371126	LEVER SHAFT HOLDER	1	
117	877315	CYLINDER O-RING (I.D 63.9)	1	
118	939547	RETAINING RING FOR D20 SHAFT (10 PCS.)	1	
119	371146	CHANGE PLATE	1	
121	371179	CAP SCREW	1	
122	995396	VALVE	1	
123	371162	FIRST GEAR	1	
124	371169	NEEDLE BEARING	1	
125	371143	SEAL PACKING	1	
126	371132	HOOD	1	
127	998471	HEX. SOCKET HD. BOLT (W/FLANGE) M5X12	1	
*128	381618	SIDE HANDLE ASS'Y	1	INCLUD.5-10,16 FOR EUROPE
*129	381617	CRANK CASE ASS'Y (A)	1	INCLUD.87-91 FOR EUROPE
		STANDARD ACCESSORIES		
501	371122	CASE	1	
502	981840	GREASE (A) FOR HAMMER.HAMMER DRILL (30G)	1	
*503	971786	STOPPER ROD	1	EXCEPT FOR EUROPE,GBR,UAE,ISR,VIE (TILL 3.2023 FOR EUROPE,GBR,UAE,ISR,VIE)

* ALTERNATIVE PARTS



MODEL
DH40MC