

HIKOKI

ROTARY HAMMER

Item No.	Code No.	Description	No. Used	Remarks
1	306345	FRONT CAP	1	
2	306340	STOPPER RING	1	
3	374436	GRIP	1	
4	374437	BALL HOLDER	1	
5	374435	HOLDER PLATE	1	
6	322812	HOLDER SPRING	1	
7		NAME PLATE	1	
8	335259	OIL SEAL	1	
9	6805BB	BALL BEARING 6805	1	
10	322789	PUSHING BUTTON	1	
11	317223	PUSHING SPRING	1	
12	334011	CHANGE LEVER	1	
13	878885	O-RING (S-18)	1	
14	374618	GEAR COVER	1	
15	375016	GEAR COVER ASS'Y	1	INCLUD. 14, 17
16	335800	SPRING (E)	1	
17	608VVM	BALL BEARING 608VVC2PS2L	3	
18	374422	SHAFT HOLDER (B)	1	
19	335300	STEEL BALL D7.0 (10 PCS.)	1	
20	374426	CYLINDER	1	
21	335265	SECOND GEAR	1	
22	374430	SPRING (B)	1	
23	301679	WASHER (A)	2	
24	948310	RETAINING RING FOR D30 SHAFT	1	
25	335262	OIL SEAL (A)	1	
26A	375014	HAMMER HOLDER (D)	1	
28	374432	SECOND HAMMER	1	
29	374429	HAMMER HOLDER (A)	1	
30	322805	DAMPER (A)	1	
31	322808	O-RING (C)	1	
32	324524	DAMPER HOLDER	1	
33	322807	STOPPER RING	1	
34	374443	STRIKER	1	
35	372816	O-RING	1	
36	372817	PISTON	1	
37	335793	PISTON PIN	1	
38	335794	PISTON WASHER	2	
39	374434	LOCK PLATE	1	
40	374440	SECOND PINION	1	
41	323182	CLUTCH SPRING	1	
42	375022	CLUTCH	1	
43	331315	WASHER	1	
44	374439	CHANGE PLATE (C)	1	
45	374438	SECOND SHAFT	1	
46	335249	RECIPROCATING BEARING	1	
47	374441	FIRST GEAR	1	
48	374442	BEARING WASHER	1	
49	335245	O-RING D72.2	1	
50	374433	INNER COVER	1	
51	334008	AIR CAP	1	
52	324543	FELT PACKING (A)	1	
53	322816	FELT PACKING	1	
54	322818	PACKING WASHER	1	

* ALTERNATIVE PARTS

HIKOKI

ROTARY HAMMER

Item No.	Code No.	Description	No. Used	Remarks
55	876796	O-RING (P-22)	1	
56	608DDM	BALL BEARING 608DD	1	
57	982631	WASHER (A)	2	
*58	361106C	ARMATURE (A) 110V	1	
*58	361106D	ARMATURE (A) 120V	1	
*58	361106E	ARMATURE (A) 220V-230V	1	
*58	361106F	ARMATURE (A) 240V	1	
59	981824	HEX. HD. TAPPING SCREW D4X45	2	
*60	341028H	STATOR (A) 110V	1	
*60	341028C	STATOR (A) 110V (W/CR)	1	FOR TPE
*60	341028D	STATOR (A) 120V	1	
*60	341028K	STATOR (A) 220V-230V	1	
*60	341028L	STATOR (A) 240V	1	
*61A	376296	HOUSING SET	1	
*61A	376296M	HOUSING SET	1	FOR MEX
62	955203	BRUSH HOLDER	2	
63	999041	CARBON BRUSH (1 PAIR)	1	
64	999072	CARBON BRUSH (AUTO STOP TYPE) (1 PAIR)	1	
65	374615	CHOKE COIL (BROWN)	1	FOR EUROPE, RUS, AUS, NZL, CHN, TPE
66	374613	INTERNAL WIRE (BROWN)	1	EXCEPT FOR EUROPE, RUS, AUS, NZL, CHN, TPE
67	374612	INTERNAL WIRE (BLUE)	1	EXCEPT FOR EUROPE, RUS, AUS, NZL, CHN, TPE
68	374614	CHOKE COIL (BLUE)	1	FOR EUROPE, RUS, AUS, NZL, CHN, TPE
69	322853	PUSHING BUTTON	1	
*70	374611	SWITCH 100V-127V	1	
*70	374610	SWITCH 220V-240V	1	
71	301654	TAPPING SCREW (W/FLANGE) D5X35	4	
*72	500239Z	CORD	1	(CORD ARMOR D10.1)
*72	500390Z	CORD	1	(CORD ARMOR D8.8) FOR EUROPE, RUS, INA, IND
*72	500424Z	CORD	1	(CORD ARMOR D8.8) FOR SIN, UAE (230V),
*72	500424Z			MAL (240V)
*72	500408Z	CORD	1	(CORD ARMOR D8.8) FOR AUS, NZL
*72	500440Z	CORD	1	(CORD ARMOR D8.8) FOR HKG (220V)
*72	500249Z	CORD	1	(CORD ARMOR D8.8) FOR MEX
*72	500496Z	CORD	1	(CORD ARMOR D8.8) FOR CHN
*72	323974	CORD	1	(CORD ARMOR D10.1) FOR TPE
*73	953327	CORD ARMOR D8.8	1	
*73	938051	CORD ARMOR D10.1	1	
74	937631	CORD CLIP	1	
75	984750	TAPPING SCREW (W/FLANGE) D4X16	2	
76	930039	NOISE SUPPRESSOR	1	FOR EUROPE, RUS, AUS, NZL, CHN, TPE
78	301653	TAPPING SCREW (W/FLANGE) D4X20 (BLACK)	3	
79	375363	GRIP SET	1	INCLUD. 1-6, 19
80	381634	CYLINDER ASS'Y	1	INCLUD. 20-33 FOR EUROPE
81	381635	STRIKER ASS'Y	1	INCLUD. 34-38 FOR EUROPE
82	381636	GEAR BOX ASS'Y	1	INCLUD. 1-6, 8-14, 16-52, 71 FOR EUROPE
83	381638	SECOND SHAFT ASS'Y	1	INCLUD. 17, 45-48 FOR EUROPE
84	381637	CHANGE LEVER ASS'Y	1	INCLUD. 10-13 FOR EUROPE
		STANDARD ACCESSORIES		
501	374619	CASE	1	
502	374447	SIDE HANDLE	1	
*503	303709	DEPTH GAUGE	1	
*503	310331	DEPTH GAUGE	1	FOR MEX
504	337739	CASE ASS'Y (STACKABLE 1)	1	INCLUD. 505-507

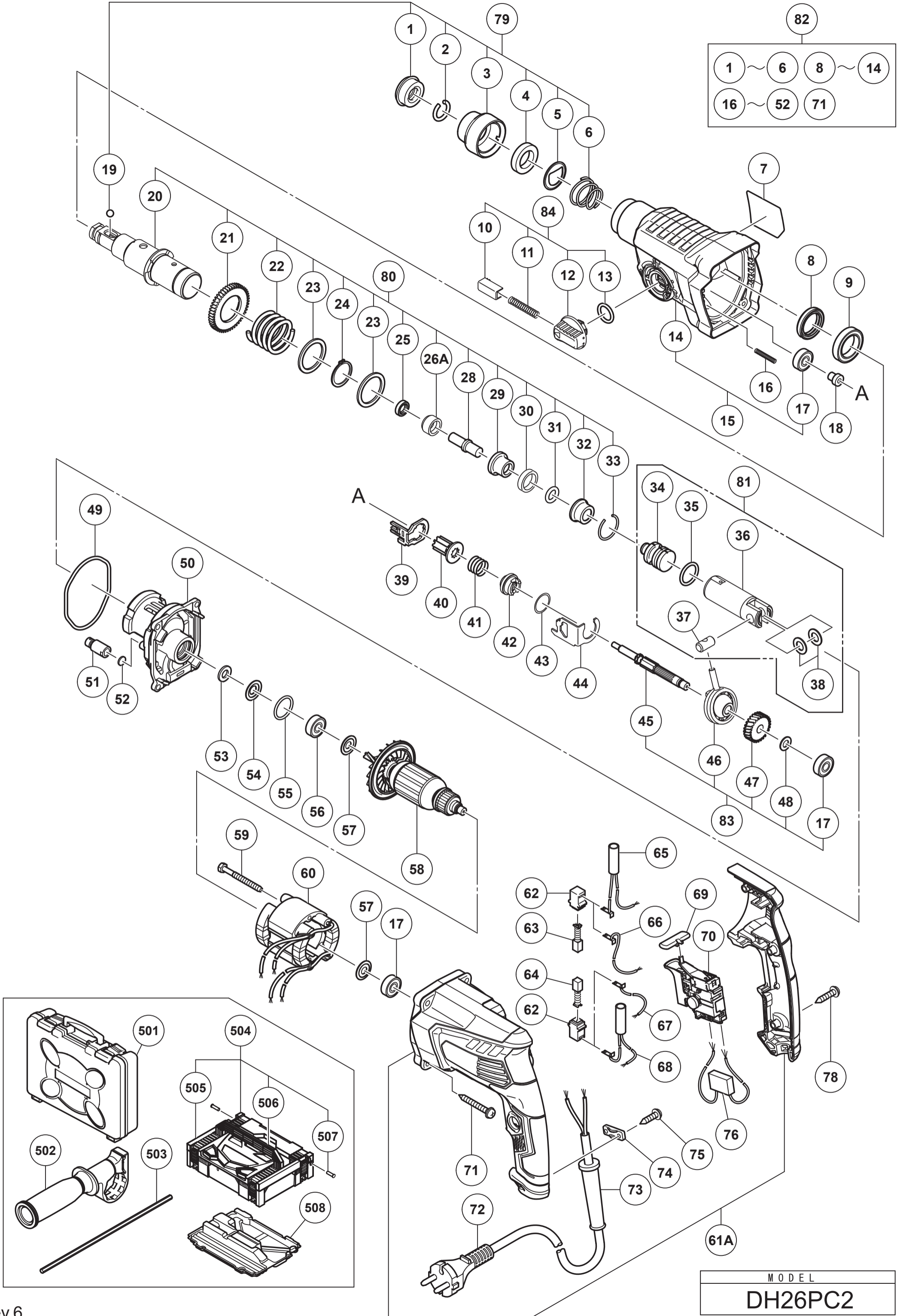
* ALTERNATIVE PARTS

HIKOKI

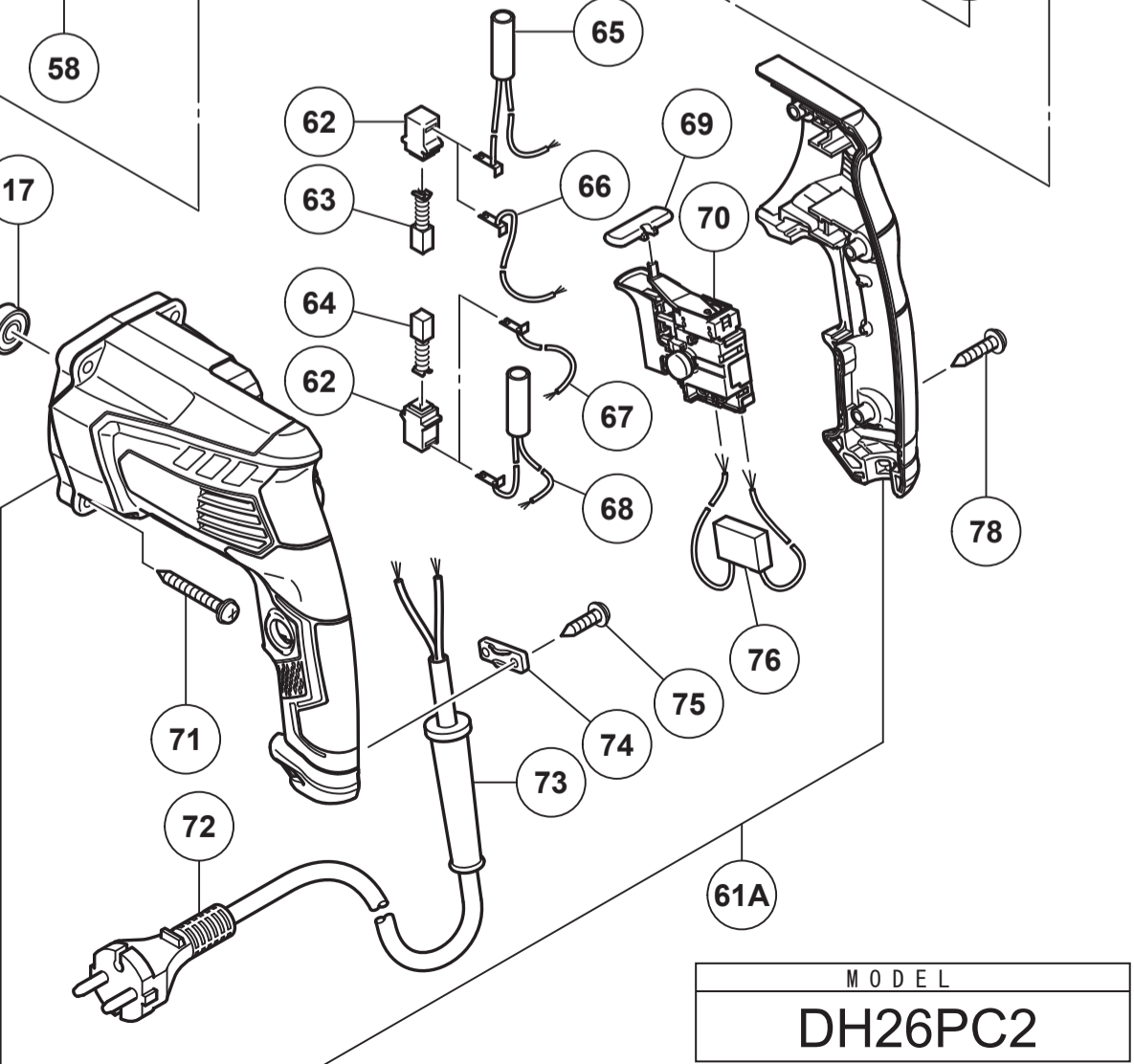
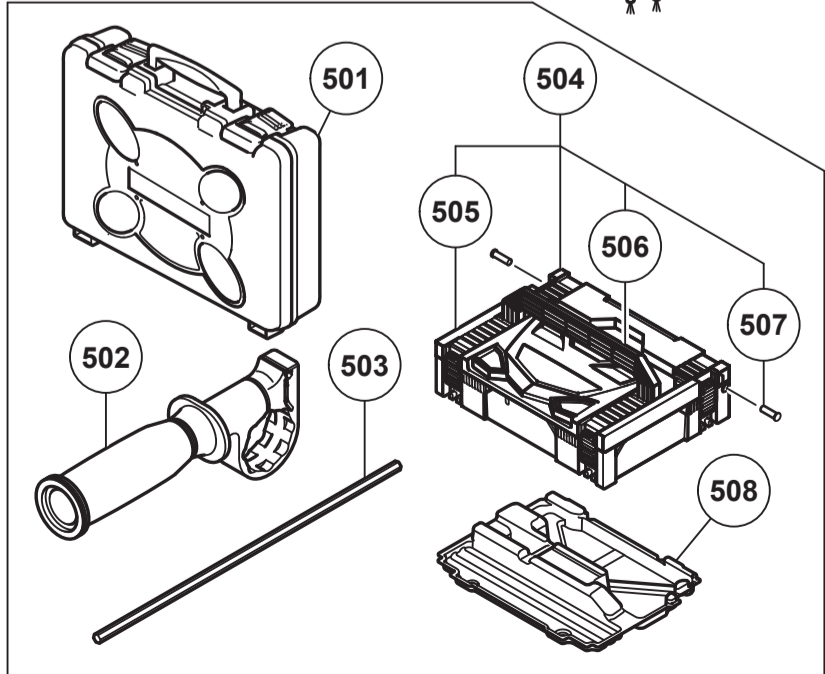
ROTARY HAMMER

Item No.	Code No.	Description	No. Used	Remarks
505	336472	LATCH	4	
506	336473	HANDLE	1	
507	336474	HINGE	2	
508	337741	INNER TRAY	1	
		OPTIONAL ACCESSORIES		
601	306885	DUST COLLECTOR (B) ASS'Y	1	INCLUD.602,610
602	986802	DUST COLLECTOR ASS'Y	1	INCLUD.603-609
603	986803	DUST COVER	1	
604	986804	SEAL COVER	1	
605	948310	RETAINING RING FOR D30 SHAFT	1	
606	958063	WASHER	1	
607	959150	STEEL BALL D6.35 (10 PCS.)	19	
608	986805	OUTER RACE	1	
609	986806	SOCKET	1	
610	306910	SOCKET ADAPTER (B)	1	
611	971787	DUST CUP	1	
612	931844	STOPPER	1	
613	321814	DRILL CHUCK 13VLRB-D	1	INCLUD.614
614	331966	FLAT HD. SCREW (LEFT HAND) M6X20	1	
615	321813	DRILL CHUCK 13VLD-D	1	
616	971511Z	+ DRIVER BIT (A) NO.2 25L	1	
617	971512Z	+ DRIVER BIT (A) NO.3 25L	1	
618	971794	ANCHOR SETTING ADAPTER A W1/4" (MANUAL)	1	
619	971795	ANCHOR SETTING ADAPTER A W5/16" (MANUAL)	1	
620	971796	ANCHOR SETTING ADAPTER A W3/8" (MANUAL)	1	
621	971797	ANCHOR SETTING ADAPTER A W1/2" (MANUAL)	1	
622	971798	ANCHOR SETTING ADAPTER A W5/8" (MANUAL)	1	
623	971799	ANCHOR SETTING ADAPTER B W1/4" (MANUAL)	1	
624	971800	ANCHOR SETTING ADAPTER B W5/16" (MANUAL)	1	
625	971801	ANCHOR SETTING ADAPTER B W3/8" (MANUAL)	1	
626	971802	ANCHOR SETTING ADAPTER B W1/2" (MANUAL)	1	
627	971803	ANCHOR SETTING ADAPTER B W5/8" (MANUAL)	1	
628	320859	SYRINGE (BLOW-OUT BULB TYPE)	1	
629	944477	COTTER	1	
630	982684	CENTER PIN (A) 109L FOR CORE BIT D32-38	1	
631	982685	CENTER PIN (B) 104L FOR CORE BIT D45-90	1	
632	335781	GREASE FOR ROTARY HAMMER (500G)	1	
633	335782	GREASE FOR ROTARY HAMMER (60G)	1	

* ALTERNATIVE PARTS



1	6	8	14
16	52	71	



MODEL
DH26PC2