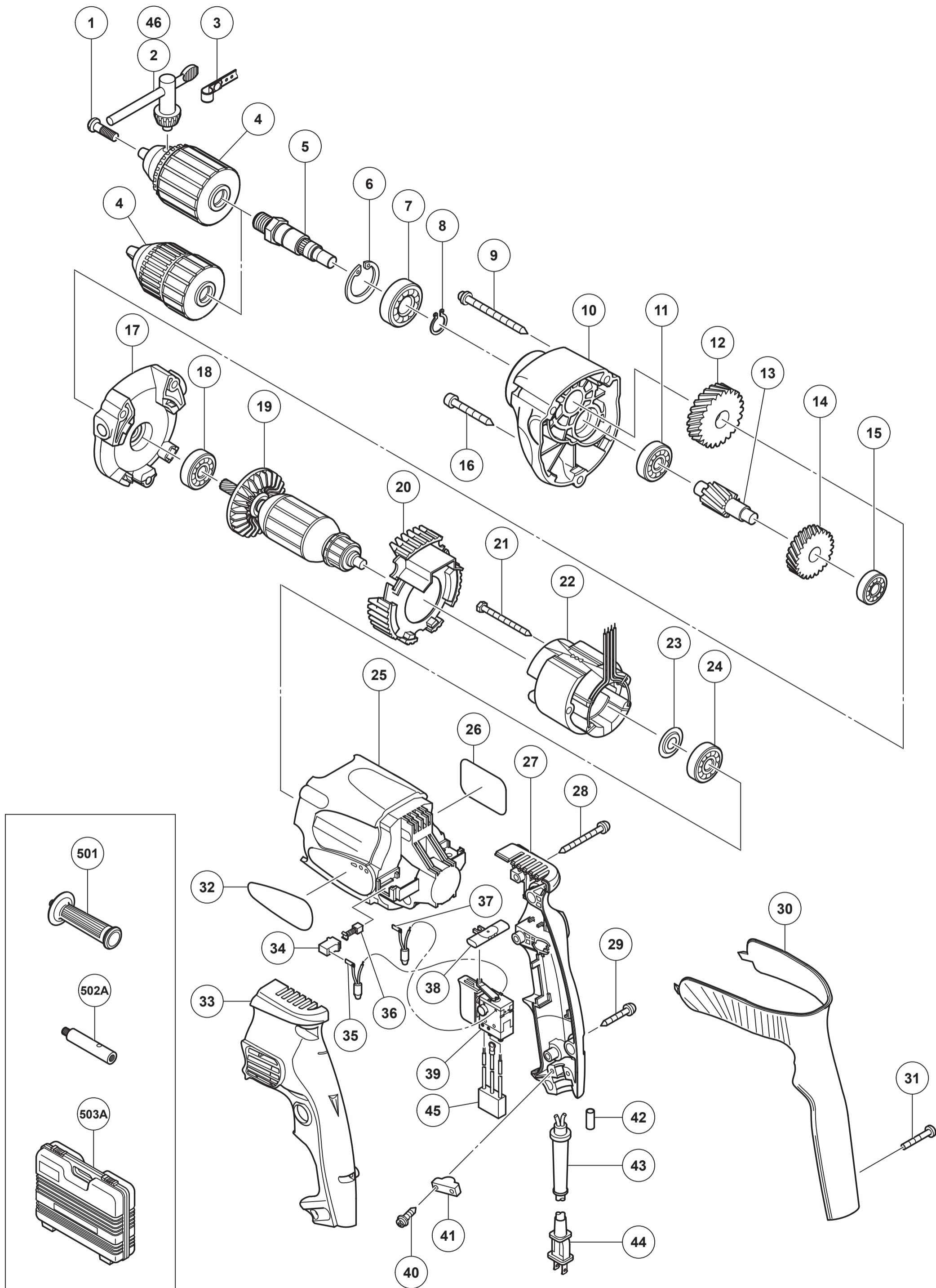


HIKOKI

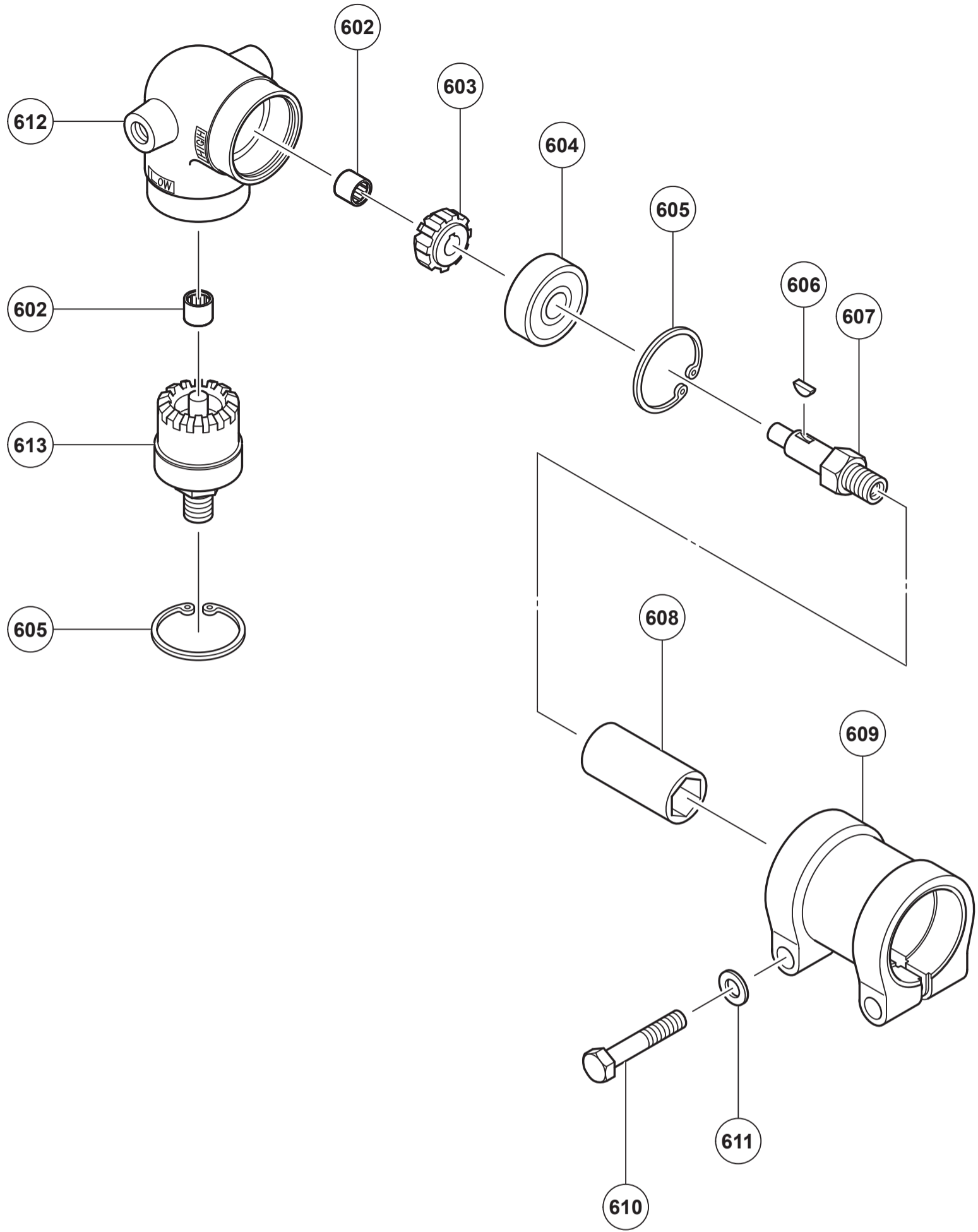
SMALL SIZE DRILL D13VG

Item No.	Code No.	Description	No. Used	Remarks
1	311959	SPECIAL SCREW (LEFT HAND) M6X23	1	
*4	319304	DRILL CHUCK 13VLRD-N (W/O CHUCK WRENCH)	1	
5	319346	SPINDLE (A)	1	
6	948001	RETAINING RING FOR D32 HOLE	1	
7	6002VV	BALL BEARING 6002VVCMP2L	1	
8	939544	RETAINING RING FOR D15 SHAFT (10 PCS.)	1	
9	305701	TAPPING SCREW (W/FLANGE) D5X60	2	
10	319345	GEAR COVER (A)	1	
11	627VVM	BALL BEARING 627VVC2PS2L	1	
12	319305	FINAL GEAR (C)	1	
13	319548	SECOND PINION (C)	1	
14	319544	FIRST GEAR	1	
15	606ZZM	BALL BEARING 606VV	1	
16	316458	TAPPING SCREW D5X40 (BLACK)	1	
17	319344	INNER COVER	1	
18	608DDM	BALL BEARING 608DD	1	
*19	360543E	ARMATURE 220V-230V	1	
20	319329	FAN GUIDE	1	
21	981421	HEX. HD. TAPPING SCREW D4X55	2	
*22	340504E	STATOR 230V-240V	1	
23	982631	WASHER (A)	1	
24	608VVM	BALL BEARING 608VVC2PS2L	1	
25	319328	HOUSING	1	
26		NAME PLATE	1	
27	319331	HANDLE (B)	1	
28	303694	TAPPING SCREW (W/FLANGE) D4X35 (BLACK)	2	
29	301653	TAPPING SCREW (W/FLANGE) D4X20 (BLACK)	1	
30	319332	GRIP COVER	1	
31	319337	SCREW (PLASTIC TIE) D4X25	2	
32		BRAND LABEL	1	
33	319330	HANDLE (A)	1	
34	955203	BRUSH HOLDER	2	
*35	320197	CHOKE COIL (BLUE) 220V-240V	1	FOR AUS, NZL, EUROPE, CHN, MAL
36	999041	CARBON BRUSH (1 PAIR)	2	
*37	320196	CHOKE COIL (BROWN) 220V-240V	1	FOR AUS, NZL, EUROPE, CHN, MAL
38	316166	PUSHING BUTTON	1	
*39	320195	SWITCH (1P SCREW TYPE) W/LOCK	1	EXCEPT FOR USA, CAN, PAN (127V), BRA (127V)
40	984750	TAPPING SCREW (W/FLANGE) D4X16	2	
41	937631	CORD CLIP	1	
42	981373	TUBE (D)	2	FOR CORD
43	953327	CORD ARMOR D8.8	1	FOR CORD
*44	500247Z	CORD	1	(CORD ARMOR D8.8) FOR NOR, DEN, SWE, FIN
*44	500409Z	CORD	1	(CORD ARMOR D8.8) FOR EUROPE, MAL
*45	320198	NOISE SUPPRESSOR	1	EXCEPT FOR USA, CAN, HKG, PAN, BRA
		STANDARD ACCESSORIES		
501	981205	SIDE HANDLE FOR M10	1	
502A	319550	HANDLE JOINT	1	
503A	319543	CASE	1	
		OPTIONAL ACCESSORIES		
601	319528	ANGLE ATTACHMENT ASS'Y	1	INCLUD. 603-614
602	670714	NEEDLE BEARING (HK0810)	2	
603	986149	PINION	1	
604	6301VV	BALL BEARING 6301VVCMP2L	1	

* ALTERNATIVE PARTS



MODEL
D13VG(1/2)



MODEL
D13VG(2/2)