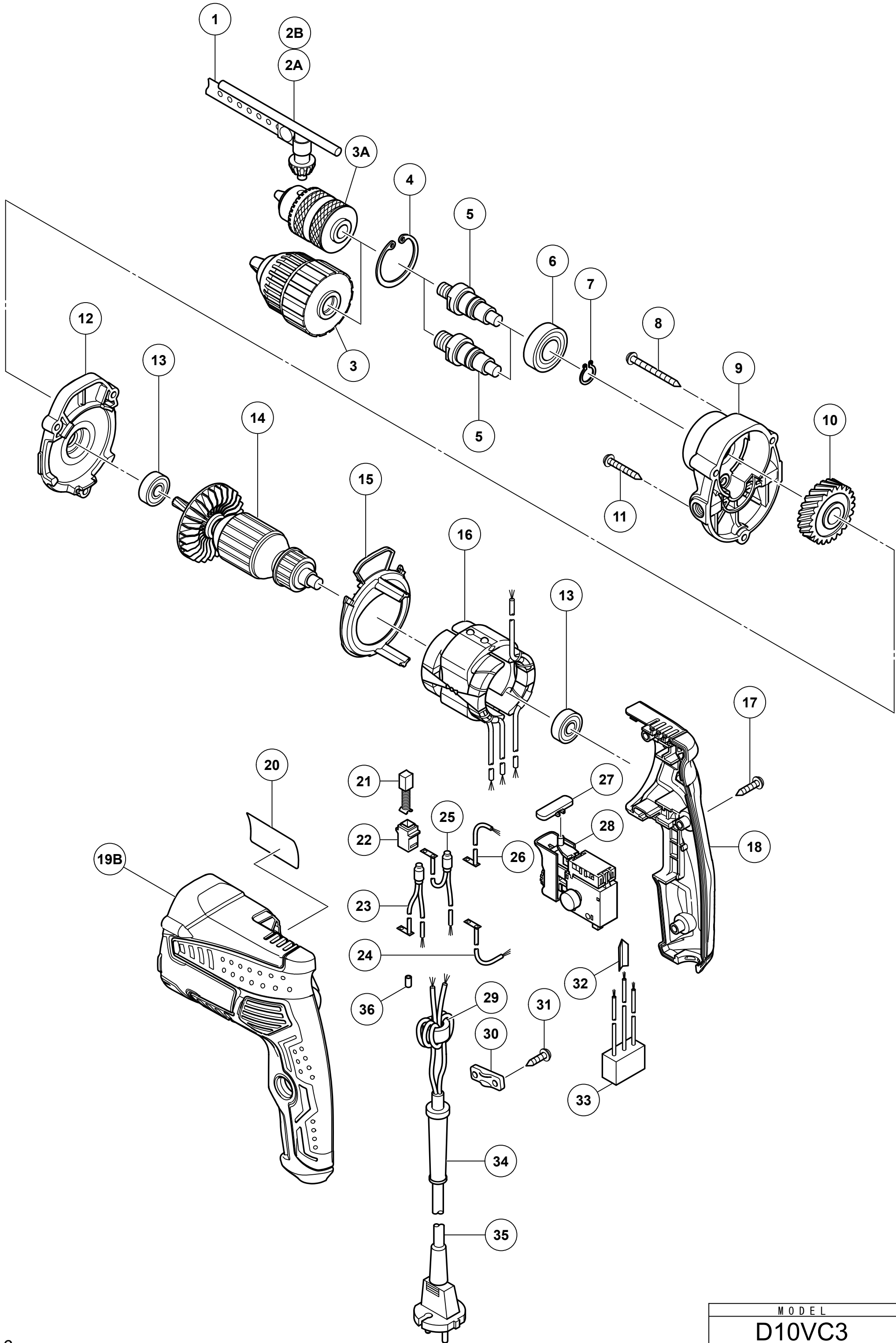


HIKOKI

SMALL SIZE DRILL D10VC3

Item No.	Code No.	Description	No. Used	Remarks
*3	323250	DRILL CHUCK 10TLRK-N (W/O CHUCK WRENCH)	1	
4	948001	RETAINING RING FOR D32 HOLE	1	
*5	370711	SPINDLE (A)	1	
6	6002VV	BALL BEARING 6002VVCMP2L	1	
7	939544	RETAINING RING FOR D15 SHAFT (10 PCS.)	1	
8	301815	TAPPING SCREW (W/FLANGE) D4X45 (BLACK)	2	
9	370710	GEAR COVER (A)	1	
10	370713	GEAR (A)	1	
11	305490	TAPPING SCREW (W/FLANGE) D4X30 (BLACK)	1	
*12	370709	INNER COVER	1	
13	333945	BALL BEARING 608VV	2	
*14	361051E	ARMATURE (B) 230V	1	
15	370708	FAN GUIDE	1	
*16	340960E	STATOR 230V	1	
17	301653	TAPPING SCREW (W/FLANGE) D4X20 (BLACK)	3	
*18	370707	HANDLE COVER	1	
*19B	370706	HOUSING	1	
20		NAME PLATE	1	
21	999041	CARBON BRUSH (1 PAIR)	1	
22	955203	BRUSH HOLDER	2	
*23	370718	CHOKE COIL (BROWN)	1	FOR EUROPE, GBR (230V), AUS, NZL, SAF, TUR, CHN
*25	370717	CHOKE COIL (BLUE)	1	FOR EUROPE, GBR (230), AUS, NZL, SAF, TUR, CHN
27	321628	PUSHING BUTTON	1	
*28	371194	SWITCH	1	
*29	334379	FERRITE CORE	1	FOR EUROPE, GBR, AUS, NZL, SAF, TUR, CHN, TPE
30	937631	CORD CLIP	1	
31	984750	TAPPING SCREW (W/FLANGE) D4X16	2	
*32	992635	EARTH TERMINAL	1	FOR EUROPE, GBR, AUS, NZL, SAF, TUR, CHN, TPE
*33	994273	NOISE SUPPRESSOR	1	FOR EUROPE, GBR (230V), AUS, NZL, SAF, TUR, CHN
*34	953327	CORD ARMOR D8.8	1	
*35	500409Z	CORD	1	(CORD ARMOR D8.8)
36	981373	TUBE (D)	2	
		OPTIONAL ACCESSORIES		
602	982593	HOOK	1	
603	370716	HOOK (A)	1	
604	981205	SIDE HANDLE FOR M10	1	

* ALTERNATIVE PARTS



MODEL
D10VC3