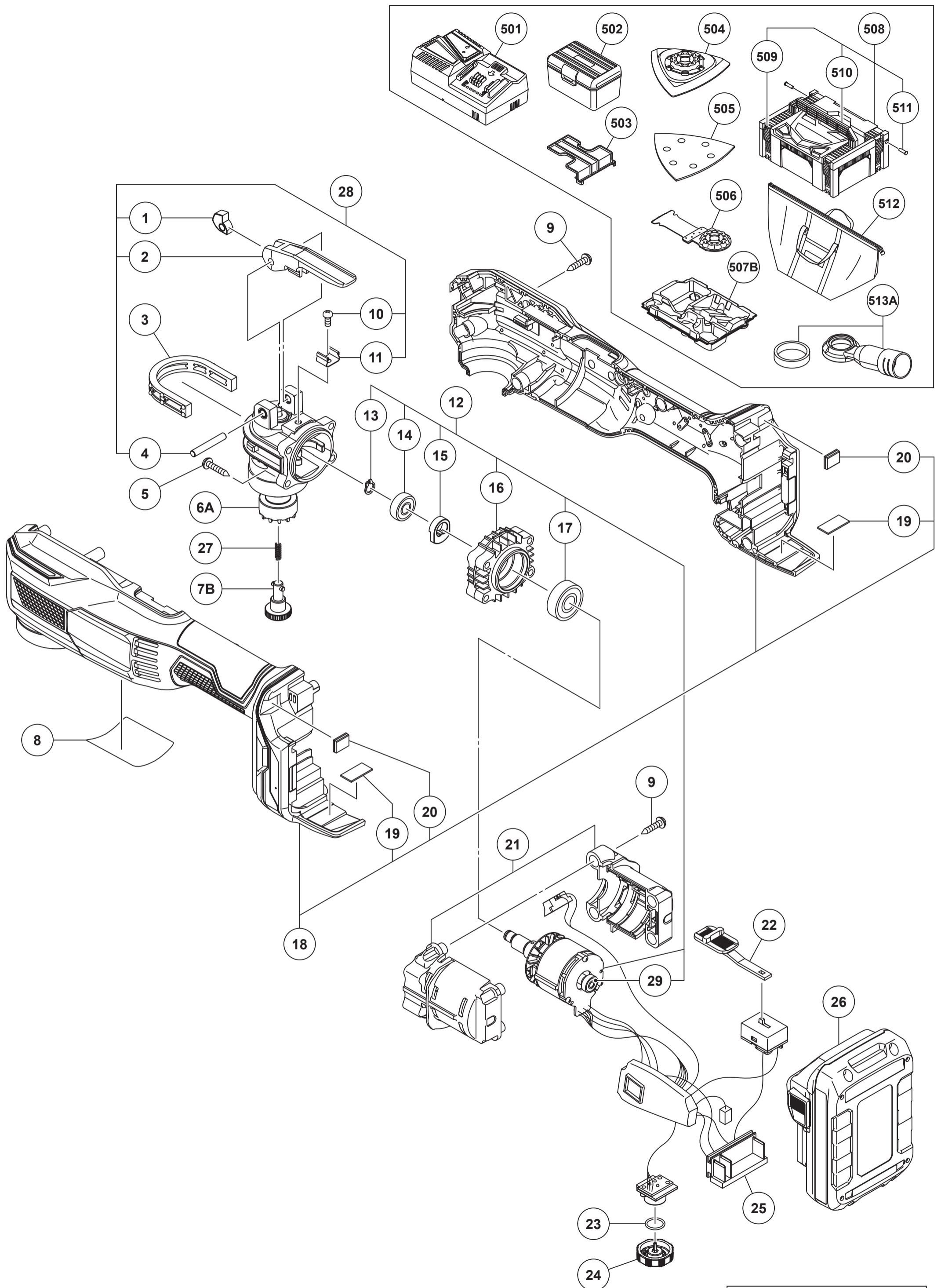


HIKOKI

CORDLESS OTHERS CV18DA

Item No.	Code No.	Description	No. Used	Remarks
*1	380982	PUSHING PIECE	1	
*2	380983	LEVER SET	1	
3	380989	HEAD RUBBER	1	
4	337668	NEEDLE ROLLER	1	
5	303694	TAPPING SCREW (W/FLANGE) D4X35 (BLACK)	4	
6A	380980	HEAD CASE	1	INCLUD.27
7B	382108	TOOL SHAFT	1	
8		NAME PLATE	1	
9	301653	TAPPING SCREW (W/FLANGE) D4X20 (BLACK)	13	
10	337670	SEAL LOCK SCREW M4X6	1	
11	337669	LEVER GUIDE	1	
12	380984	WIRING ASS'Y	1	INCLUD.13-17,25,29
13	994251	RETAINING RING FOR D7 SHAFT	1	
14	380987	BALL BEARING-R 607	1	
15	380988	BALANCER	1	
16	380986	BEARING HOLDER	1	
17	6000VV	BALL BEARING 6000VVCMP52L	1	
*18	380992	HOUSING (A).(B) SET	1	INCLUD.19,20
19	338434	RUBBER CUSHION (B)	2	
20	370321	DAMPER (A)	2	
21	380990	MOTOR CASE (A).(B) SET	1	
22	380993	SWITCH KNOB	1	
23	987105	O-RING (S-10)	1	
24	379151	DIAL	1	
25	376361	BATTERY TERMINAL	1	
*26	377796	BATTERY BSL 1820M (EUROPE,AUS,NZL)	2	INCLUD.503
27	381537	SPRING	1	
*28	382093	CLAMP LEVER ASS'Y	1	INCLUD.1,2,4,10,11 FOR EUROPE
29	335723	BALL BEARING 604DD	1	
		STANDARD ACCESSORIES		
501		CHARGER (MODEL UC 18YFSL)	1	
*502	337685	TOOL BOX	1	FOR EUROPE,USA,CAN
503	329897	BATTERY COVER	1	
*504		MULTI TOOL PAD (MSU93D)	1	
				EPC CODE NO.782791 FOR EUROPE,MAL,THA
*505	338253	SANDING PAPERS 94X94 AA80 (10 PCS.)	5	FOR EUROPE,MAL,THA
*505	338255	SANDING PAPERS 94X94 AA120 (10 PCS.)	5	FOR EUROPE,MAL,THA
*506		MULTI TOOL BLADE (MSD32PBC)	1	
				EPC CODE NO.782721 EXCEPT FOR USA,CAN
507B	382675	INNER TRAY	1	
508	336471	CASE ASS'Y (STACKABLE 2)	1	INCLUD.509-511
509	336472	LATCH	4	
510	336473	HANDLE	1	
511	336474	HINGE	2	
*513A	382000	DUST COLLECTION ADAPTER SET	1	FOR EUROPE
		OPTIONAL ACCESSORIES		
601	376066	DUST COLLECTION ADAPTER SET	1	INCLUD.602
602	376118	FELT PACKING	1	

* ALTERNATIVE PARTS



MODEL
CV18DA