

HIKOKI

RECIPROCATING SAW

Item No.	Code No.	Description	No. Used	Remarks
1	375183	LED HOLDER	1	
2	373501	UPPER COVER	1	
3	375184	SHAFT (A)	1	
4	305574	HEX. SOCKET HD. BOLT (W/SP.WASHER) M5X16	12	
5	375185	CHANGE SHAFT	1	
6	872822	O-RING (S-5)	2	
7	955479	RETAINING RING (E-TYPE) FOR D6 SHAFT	2	
8	307127	SEAL LOCK SCREW (W/SP. WASHER) M4X12	1	
9	323210	BOLT WASHER M4 (BLACK)	1	
10	373503	CHANGE KNOB	1	
11	373499	SPRING (B)	1	
12	373500	SPRING CAP	1	
13	373508	LEVER PLATE	1	
14	373490	SPRING (A)	2	
15	373487	PLUNGER HOLDER	1	
16	371382	BASE	1	
17	371383	BASE PLATE	1	
18	332662	HEX. SOCKET BOLT M5X12	2	
19	375186	BASE LEVER SHAFT	2	
20	373504	BASE LEVER	1	
21	373506	FRONT COVER	1	
22	375187	ADJUSTING PIN	1	
23	373477	SEAL WASHER	1	
24	373478	DUST SEAL	1	
25	373479	SLEEVE PLATE	1	
26	373480	FELT WASHER	1	
27	373481	SEAL SLEEVE (A)	1	
28	373482	O-RING	1	
29	373483	SEAL SLEEVE (B)	1	
30	375189	METAL (A)	1	
31	373486	PLUNGER	1	
32	373489	PLATE (A)	1	
33	371368	SPIRAL RETAINING RING D16	1	
34A	379227	BLADE HOLDER	1	
35	375190	SLEEVE	1	
36	374951	HOLDER PIN (A)	1	
37	371379	BLADE SPRING	1	
38A	379226	BLADE HOLDER COVER	1	
39	371367	RETAINING RING FOR D13 SHAFT	1	
40	371380	PIN	1	
41	373491	METAL PLATE	2	
42	371991	SEAL LOCK HEX. SOCKET HD. BOLT M6X20	1	
43	373492	ORBITAL GUIDE	1	
44	373494	GEAR	1	
45	375191	CONNECTING PIECE	1	
46	373959	NEEDLE BEARING	1	
47	6803BB	BALL BEARING 6803	1	
48	373485	METAL (A)	1	
49	374952	LUBRICATOR (F)	1	
50	374953	LUBRICATOR (R)	1	
51	373498	PACKING	1	
52	375192	GEAR COVER	1	
53	328707	TAPPING SCREW (W/FLANGE) D5X30 (BLACK)	4	

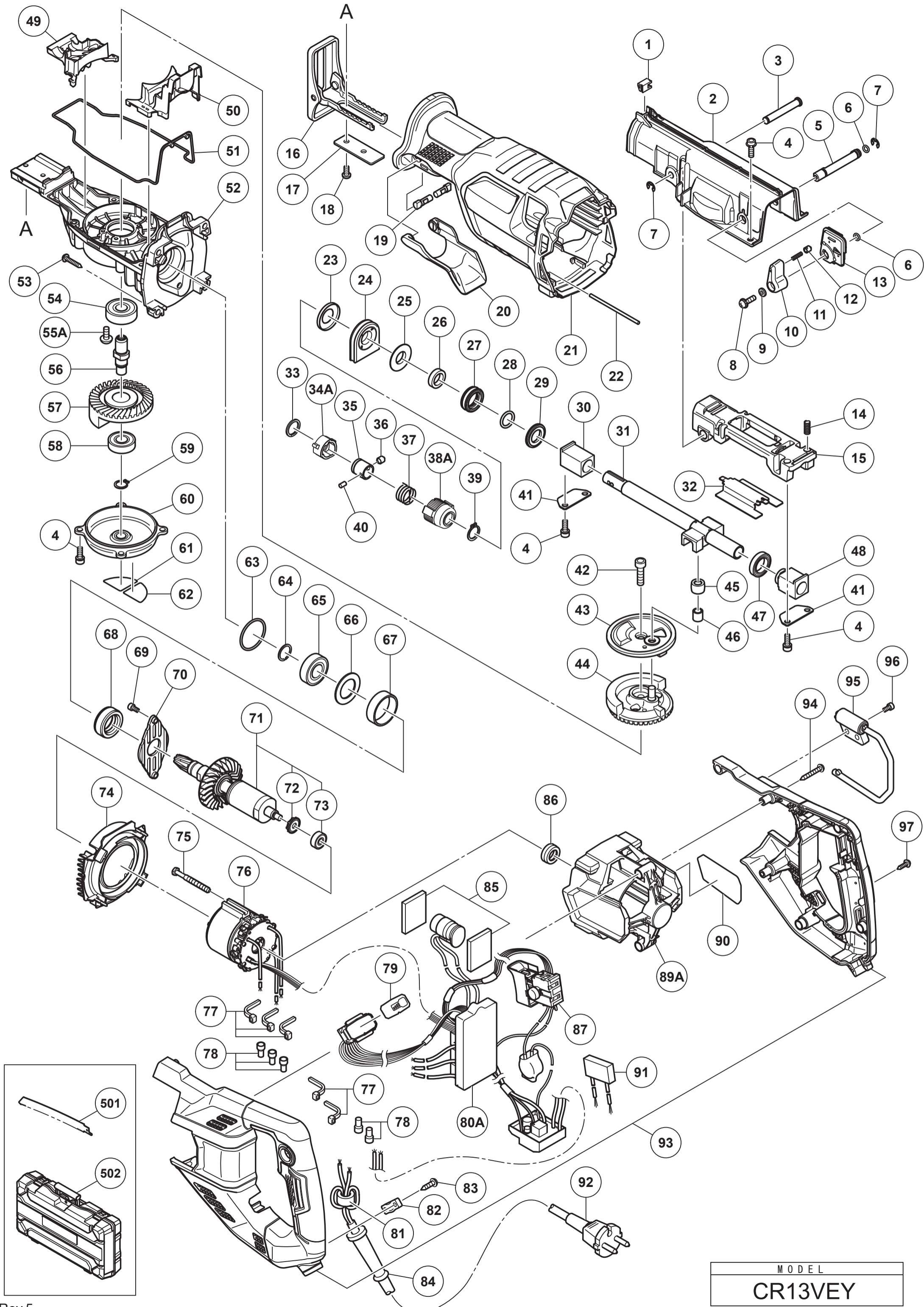
* ALTERNATIVE PARTS

HIKOKI

RECIPROCATING SAW

Item No.	Code No.	Description	No. Used	Remarks
54	6201VV	BALL BEARING 6201VV	1	
55A	314430	SLOTTED HD. SCREW (SEAL LOCK) M4X10	2	
56	375193	SPINDLE	1	
57	375194	COUNTER GEAR	1	
58	6001VV	BALL BEARING 6001VV	1	
59	939542	RETAINING RING FOR D12 SHAFT (10 PCS.)	1	
60	373510	UNDER COVER	1	
61		CAUTION SEAL (B)	1	
62		CAUTION SEAL (A)	1	
63	373527	O-RING (I.D 31.5)	1	
64	375195	RETAINING RING D15	1	
65	6002VV	BALL BEARING 6002VVCMP2L	1	
66	373511	WASHER D34.8	1	
67	375196	BUSHING	1	
68	373513	DAMPER	1	
69	949818	HEX. SOCKET HD. BOLT M5X8 (10 PCS.)	2	
70	373514	BEARING COVER	1	
71	361114	ROTOR ASS'Y	1	INCLUD.72,73
72	373515	DUST SEAL (606)	1	
73	606ZZM	BALL BEARING 606VV	1	
74	373517	FAN GUIDE	1	
75	981824	HEX. HD. TAPPING SCREW D4X45	2	
*76	341037	STATOR SENSOR PCB	1	
*76	341036	STATOR SENSOR PCB	1	FOR TPE,GBR (110V)
77	313505	WIRE BAND	5	EXCEPT FOR CHN,TPE
78	959141	CONNECTOR 50092 (10 PCS.)	5	
79	374950	PANEL SEET	1	
80	375199	CONTROLLER SWITCH ASS'Y 220V-240V	1	INCLUD.79,87
80A	375992	CONTROLLER SWITCH ASS'Y 110V	1	INCLUD.79,87
81	334379	FERRITE CORE	1	
82	960266	CORD CLIP	1	
83	984750	TAPPING SCREW (W/FLANGE) D4X16	2	
*84	953327	CORD ARMOR D8.8	1	
*84	938051	CORD ARMOR D10.1	1	
85	322823	SUPPORT (B)	2	
86	373516	RUBBER BUSH	1	
87	374948	SWITCH	1	
89A	373519	HOUSING	1	
90		NAME PLATE	1	
91	930039	NOISE SUPPRESSOR	1	
*92	500247Z	CORD	1	(CORD ARMOR D8.8)
*92	500435Z	CORD	1	(CORD ARMOR D8.8)
				FOR SIN,UAE,HKG,MAL,GBR (230V)
*92	500439Z	CORD	1	(CORD ARMOR D8.8) FOR AUS,NZL
*92	500463Z	CORD	1	(CORD ARMOR D8.8) FOR GBR (110V)
*92	500455Z	CORD	1	(CORD ARMOR D8.8) FOR CHN
*92	500474Z	CORD	1	(CORD ARMOR D10.1) FOR TPE
93	374949	HANDLE (A).(B) SET	1	
94	305490	TAPPING SCREW (W/FLANGE) D4X30 (BLACK)	2	
95	375200	HOOK	1	
96	371992	SEAL LOCK HEX. SOCKET HD. BOLT M5X10	2	
97	301653	TAPPING SCREW (W/FLANGE) D4X20 (BLACK)	4	
		STANDARD ACCESSORIES		

* ALTERNATIVE PARTS



MODEL
CR13VEY