

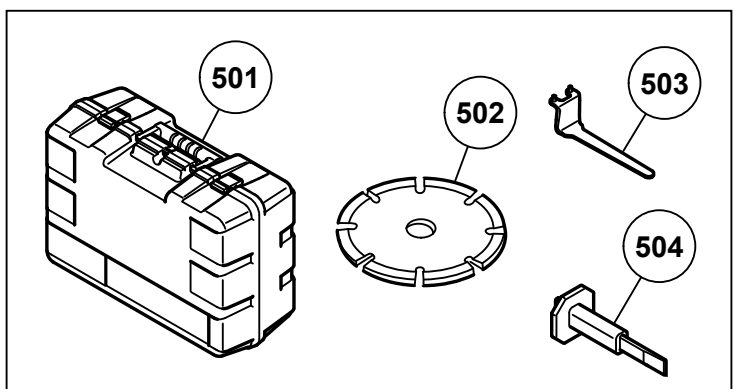
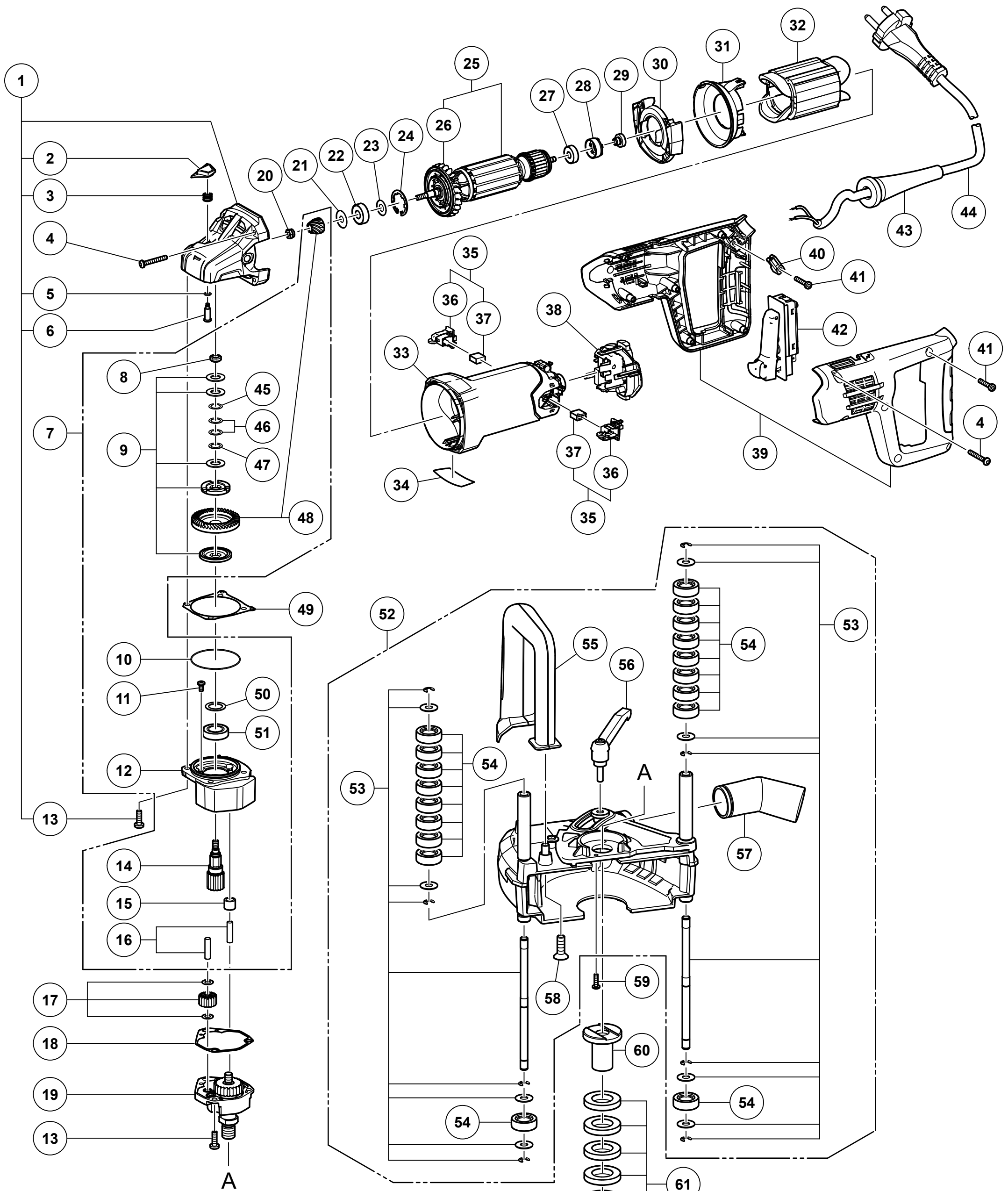
# HIKOKI

## CUTTER CM5MA

Item No.	Code No.	Description	No. Used	Remarks
1	377403	GEAR COVER ASS'Y	1	INCLUD.2,3,5,6,13
2	377411	PUSHING BUTTON	1	
3	372944	SPRING (A)	1	
4	372921	TORX TAPPING SCREW D4	6	
5	377410	O-RING	1	
6	372946	LOCK PIN	1	
7	377409	GEAR FLANGE ASS'Y	1	INCLUD.8-12,14-16,45-48,50,51
8	372928	NUT M7	1	
9	372931	FRICTION WASHER ASS'Y	1	
10	377413	O-RING	1	
11	377357	TORX SCREW	3	
12	377412	GEAR FLANGE	1	
13	372919	TORX SCREW M5	7	
14	377358	SECOND SHAFT	1	
15	377355	NEEDLE SLEEVE	1	
16	377354	NEEDLE ROLLER	2	
17	377405	GEAR SET	1	
18	377336	GASKET	1	
19	377337	FLANGE	1	
20	377334	NUT	1	
21	372908	WASHER 7.05X19.5X0.2	1	
22	372907	BALL BEARING 8X22X7	1	
23	372906	WASHER 8.05X17X0.4	1	
24	372942	RETAINING RING	1	
25	377328	ARMATURE ASS'Y 230V-240V	1	INCLUD.26
26	372938	FAN	1	
27	372904	BALL BEARING 6X19X6	1	
28	372905	RUBBER BUSHING	1	
29	372947	MAGNET	1	
30	372901	BAFFLE	1	
31	372900	FAN GUIDE	1	
32	377329	STATOR 230V-240V	1	
33	377015	HOUSING	1	
34		NAME PLATE	1	
35	377363	BRUSH HOLDER SET (W/CARBON BRUSH)	1	INCLUD.36,37
36	377404	BRUSH HOLDER SET	2	
37	372939	CARBON BRUSH SET (1 PAIR)	2	
38	377333	CONTROLLER	1	
39	377335	D-HANDLE SET	1	
40	371271	CORD CLIP	1	
41	371270	TAPPING SCREW ST4.2X22	5	
42	377330	SWITCH	1	
43	372894	CORD ARMOR	1	
*44	372895	CORD	1	
45	372925	WASHER 10.2X14.8X0.1	1	
46	372924	WASHER 10.2X14.8X0.2	2	
47	372926	WASHER 10.2X14.8X0.5	1	
48	372929	BEVEL GEAR. PINION SET	1	
49	372918	GASKET	1	
50	377356	WASHER	1	
51	377359	BALL BEARING	1	
52	377338	SAW COVER ASS'Y	1	INCLUD.53-57
53	377406	SHAFT WASHER SET	1	

\* ALTERNATIVE PARTS





MODEL  
CM5MA