

HIKOKI

MITER SAW C8FSHG

Item No.	Code No.	Description	No. Used	Remarks
1	375408	CUTTER SHAFT GUARD	1	
2	327354	WAVE WASHER	1	
3	375409	CR. RE. PAN HD. ROUND NECK SCREW M6X12	1	
4	372443	ANCHOR BLOCK	1	
5	372460	HEX. SOC. HD. CAP BOLT M6X16	1	
6	375410	CR. -RE. TRUSS HD. SCREW M6X12	1	
7	372730	SPACER	1	
8	339840	NUT M6	2	
9	375411	CLAMP BOLT	1	
10	372478	COMPRESSION SPRING	1	
11	726477	FLAT WASHER	1	
12	375418	HEX. SOC. SET SCREW M6X10	1	
13	375414	CABLE SHIELD	1	
14	372549	CR. RE. PAN HD. SCREW M5X8	2	
15	375415	COVER	1	
16	375416	CR. RE. PAN HD. SCREW M4X6	4	
17	375417	SUPPORT SEAT	1	
18	373692	RUBBER SLEEVE	1	
19	373663	CR. RE. PAN HD. TAPPING SCREW D4X12	2	
20	375418	HEX. SOC. SET SCREW M6X10	2	
21	375419	SHAFT SLEEVE	1	
22	375420	TORSION SPRING	1	
24	375421	SEGMENT HANDLE	1	
25	375422	CR. RE. PAN HD. SCREW & WASHER M6X20	4	
26	372631	BUSH	4	
*28	375424	MOTOR ASS'Y 230V	1	
29	375425	TILTING SCALE	1	
30	375426	ARM-MITER	1	
31	949434	BOLT WASHER M10 (10 PCS.)	1	
32	375427	CLAMP HANDLE	1	
33	375428	HEX. SOCKET HD. CAP SCREWS M5X40	2	
34	372458	O-RING ROD	1	
35	375429	PLUG-BUTTON	2	
36	375430	MITER BAR	1	
37	372521	RUBBER PAD	1	
38	375431	FLAT WASHER	2	
39	375432	HEX. SOC. TRUSS HD. & WASHER ASS'Y M6X16	2	
40	375433	MITER BAR	1	
41	372511	FRAME ENDCAP (BLACK PLASTIC)	2	
42	375434	SLIDE-BAR SEAT (FRONT)	1	
43	375435	SHAFT	1	
44	372513	SPACER	1	
45	375436	CLAMP BOLT	1	
46	375437	CABLE CLAMP	1	
47	375438	CR. RE. PAN HD. SCREW M4X8	1	
48	372050	O-RING	1	
49	375439	CLEVIS PIN	1	
50	375440	KNOB-HANDLE	1	
51	327354	WAVE WASHER	1	
52	372566	ANCHOR PLATE	1	
53	372567	CR. RE. TRUSS HD. ROUND NECK SCREW M6X10	1	
54	372512	WASHER BEARING	1	
55	372523	LINEAR MOTION BEARING	2	

* ALTERNATIVE PARTS

HIKOKI

MITER SAW C8FSHG

Item No.	Code No.	Description	No. Used	Remarks
56	372491	BLANKET WASHER	4	
57	372519	BEARING COVER	3	
58	375441	CR. RE. TRUSS HD. SCREW M5X6	3	
59	375442	LASER PLUNGER HOUSING	1	
60	375443	SLOTTED SET SCREW M6X8	4	
61	375444	LASER PLUNGER HOUSING	1	
62	375445	PLUNGER HOUSING ASS'Y	1	
63	375446	CR. RE. PAN HD. SCREW M5X16	2	
64	375447	COVER	1	
65	375448	RIVET	2	
66	375449	LEVER BRACKET	1	
67	339840	NUT M6	1	
68	375450	HEX. SOCKET HD. CAP SCREWS M6X12	2	
69	375451	ARBOR COLLAR	1	
70	375452	ARBOR BOLT M8X20	1	
71	375453	ARBOR COLLAR	1	
72	375454	LEAD WIRE ASS'Y	1	
73	373912	DUST BAG	1	
74	375456	TCT SAW BLADE 216MM	1	
75	375457	LASER ASS'Y	1	
76	372626	LASER STICKER	1	
77	372617	WARNING LABEL	1	
78	373911	WARNING LABEL	1	
*80		NAME PLATE (C8FSHG)	1	
86	375460	ROCK SWITCH ASS'Y	1	
87	375461	DUST GUARD	1	
88		ROCKER SWITCH	1	
89	375463	CR. RE. PAN HD. TAPPING SCREW M4X20	6	
90	375464	MOTOR HANDLE (UP)	1	
91	375465	CR. RE. PAN HD. TAPPING SCREW M4X16	2	
92	372093	CORD CLAMP	1	
93	375466	GUARD-CORD	1	
94	375467	CR. RE. PAN HD. SCREW M6X20	2	
95	375468	FERRITE CORE	1	
96	375469	WIRE CONNECTOR	1	
*98	375471	CONTROLLER ASS'Y 230V	1	
99	375472	CR. RE. PAN HD. TAPPING SCREW M3X6	1	
100	375473	CAPACITOR	1	
101	375474	TRIGGER	1	
102	372441	COMPRESSION SPRING	1	
103	372484	LIMIT SWITCH	1	
104	375475	MOTOR HANDLE (DOWN)	1	
*106	375477	LEAD WIRE ASS'Y 230V	1	
107	375478	MOTOR HANDLE ASS'Y	1	
108	375479	NUT M12	1	
109	372453	DISC SPRING WASHER M12	1	
110	375480	FLAT WASHER	1	
111	375481	SHAFT-PIVOT	1	
112	375482	HEX. HD. BOLT M6X25	2	
113	375483	HEX. NUT M6	2	
114	375418	HEX. SOC. SET SCREW M6X10	1	
115	375484	TILT POINTER	1	
116	375485	CR. RE. PAN HD. SCREW M5X12	1	

* ALTERNATIVE PARTS

HIKOKI

MITER SAW C8FSHG

Item No.	Code No.	Description	No. Used	Remarks
117	339841	LOCK NUT M8	1	
118	726478	FLAT WASHER M8	1	
119	372576	NEEDLE POINTER	1	
120	726579	CR. RE. PAN HD. SCREW M5X8	1	
121	375486	TABLE	1	
122	375487	LOCKING HANDLE ASS'Y	1	
123	375488	CR. RE. PAN HD. SCREW M5X20	1	
124	375489	TABLE INSERT	2	
125	375490	CR. -RE. TRUSS HD. SCREW M4X10	6	
126	375491	CAUTION LABEL	1	
128	375492	SCREW STOP	1	
129		SHAFT	1	
130		LEVER	1	
131		KNOB	1	
132	375496	LOCK NUT	1	
133	375497	SPRING PIN	1	
134	372416	COMPRESSION SPRING	1	
135		SPRING PIN	2	
136	375499	ROLL PIN	1	
137	375500	TENSION HANDLE ASS'Y	1	
139	375501	PLUNGER HANDLE	1	
140	726615	LOCK NUT M5	1	
141	375502	COMPRESSION SPRING	1	
142	375503	HEX. SOC. HD. CAP BOLT M5X35	1	
144	375504	SLIDE PLATE	3	
145	375505	BRACKET	1	
146	372508	CR. RE. PAN HD. SCREW M5X16	2	
147	375506	BASE	1	
148	375507	KNOB	2	
149	375508	KNOB	1	
150	375509	KNOB	1	
151	375510	CENTER SHAFT	1	
152	375511	BRACKET-TILT	1	
155	375512	CR. RE. ROUND WASHER HD. SCREW M5X16	2	
156	375513	PLATE (LEFT)	1	
157	372018	WAVE WASHER	2	
158	372549	CR. RE. PAN HD. SCREW M5X8	4	
159	375514	EXTENSION WING (L)	1	
160	375515	RUBBER INSERT	8	
161	375516	UPPER TUBE	2	
162	372548	CR. RE. PAN HD. SCREW M5X6	2	
163	375517	EXTENSION WING ASS'Y	1	
164	375518	UPPER TUBE	2	
165	375519	EXTENSION WING (R)	1	
166	375520	PLATE (RIGHT)	1	
167	375521	LOCK NUT M5	2	
168	375522	EXTENSION WING ASS'Y	1	
170	372479	HEX. SOC. SET SCREW M5X6	1	
171	375523	FENCE	1	
172	726318	HEX. SOC. TRUSS HD. SCREW M8X20	4	
173	372525	WRENCH SET	1	
174	372548	CR. RE. PAN HD. SCREW M5X6	2	
175	372446	BLADE WRENCH	1	

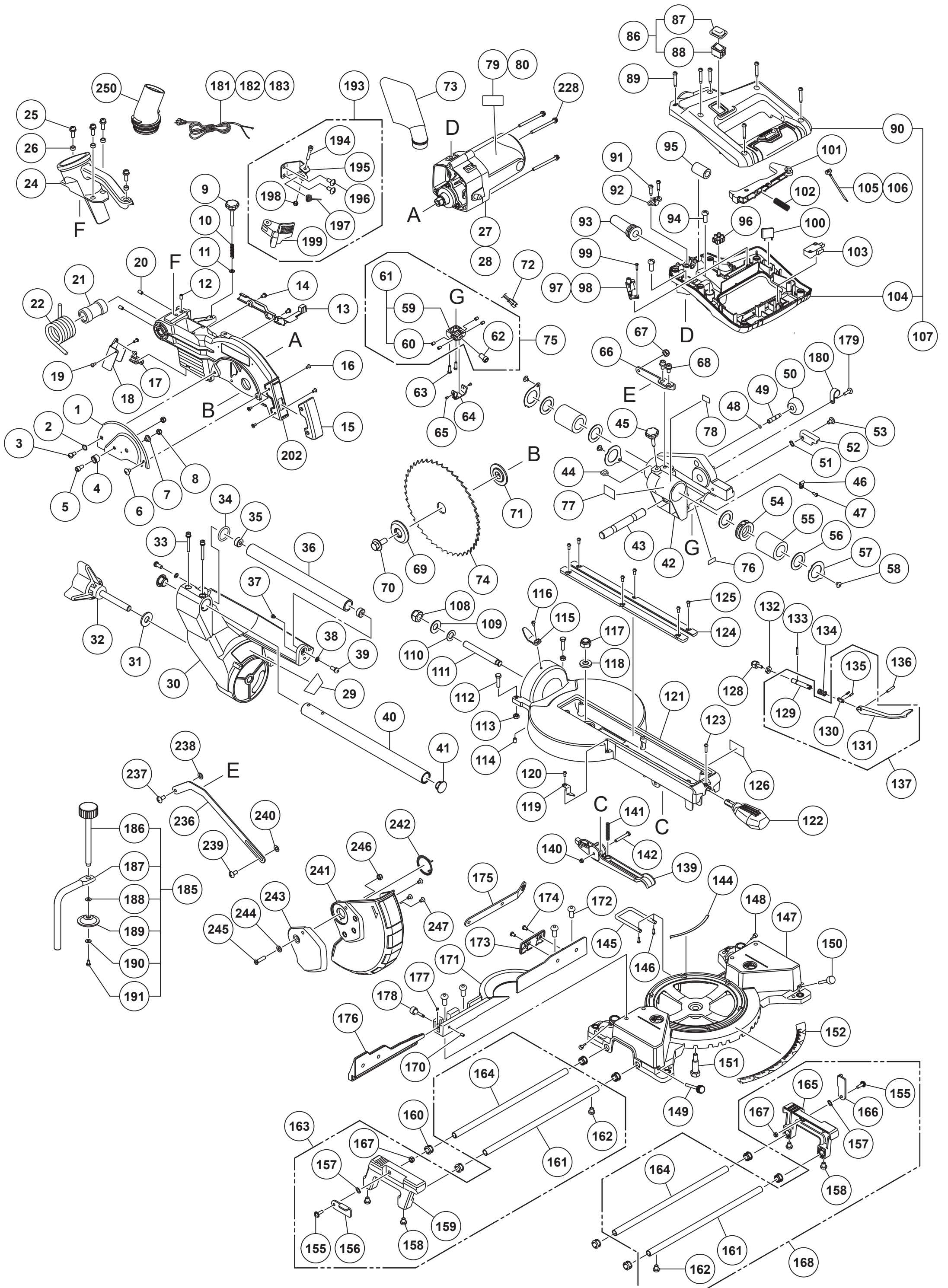
* ALTERNATIVE PARTS

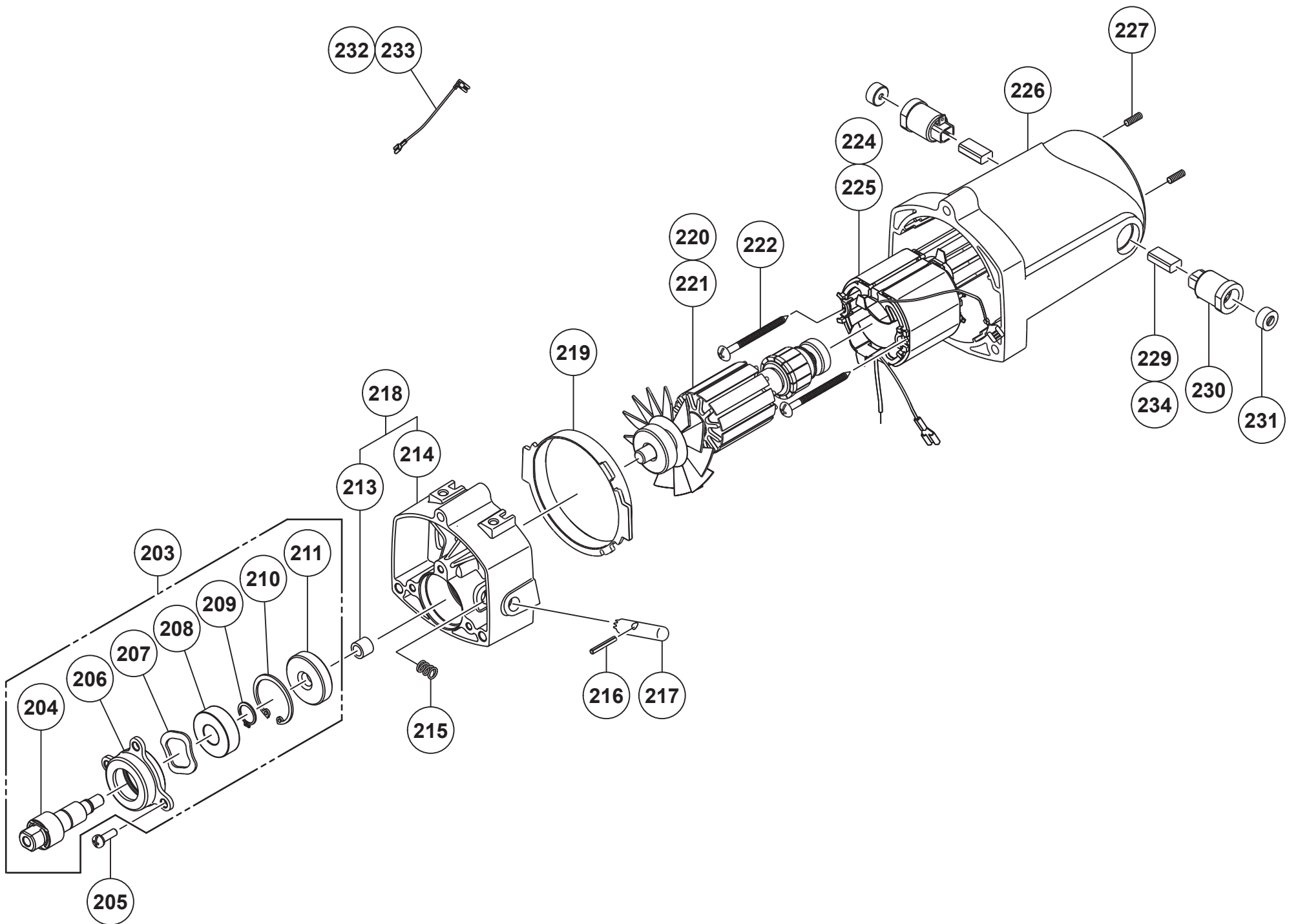
HIKOKI

MITER SAW C8FSHG

Item No.	Code No.	Description	No. Used	Remarks
176	375524	ASSIST-FENCE	1	
177	375525	E-RING	1	
178	375526	KNOB	1	
179	726579	CR. RE. PAN HD. SCREW M5X8	1	
180	375527	CABLE CLAMP	1	
*183	375530	POWER CABLE (EU 230V)	1	
185	375531	WISE ASS'Y	1	
186	373666	HANDLE BAR ASS'Y	1	
187		WISE BEARING	1	
188	373677	FLAT WASHER M9.6	1	
189	373667	FLANGE	1	
190	373678	FLAT WASHER M5	1	
191	373675	CR. RE. PAN HD. SCREW & WASHER M5X12	1	
193	375533	LOCK HANDLE ASS'Y	1	
194	375534	HEX. SOC. HD. CAP BOLT M5X30	1	
195	375535	IRON PLATE	1	
196	726579	CR. RE. PAN HD. SCREW M5X8	2	
197	375536	TORSION SPRING	1	
198	726615	LOCK NUT M5	1	
199	375537	LOCK HANDLE	1	
202	375538	ARM	1	
203	375539	CUTTER SHAFT ASS'Y	1	
204		CUTTER SHAFT	1	
205	375541	CR. RE. PAN HD. SCREW & WASHER M5X16	3	
206		BEARING SEAT	1	
207		WAVE WASHER	1	
208		BALL BEARING	1	
209		C-RING	1	
210		C-RING	1	
211		HELIX GEAR	1	
213		NEEDLE ROLLER BEARING	1	
214		GEAR BOX	1	
215	375549	COMPRESSION SPRING	1	
216	375550	SPRING PIN	1	
217	375551	CLEVIS PIN	1	
218	375552	GEAR BOX ASS'Y	1	
219	375553	FLOW GUIDE	1	
*221	375555	ARMATURE ASS'Y 230V	1	
222	375556	CR. -RE.PAN HD.TAPPING SCREW&WASHER D5X65	2	
*225	375559	FIELD ASS'Y 230V	1	
226	375560	MOTOR COVER	1	
227	375561	HEX. SOC. SET SCREW M5X6	2	
228	375562	CR. RE. PAN HD. SCREW & WASHER M6X80	3	
230	375564	BRUSH HOLDER ASS'Y	2	
231	375565	BRUSH COVER	2	
*233	375567	LEAD WIRE ASS'Y 230V	1	
*234	375618	CARBON BRUSH ASS'Y 230V	2	
236	375568	LEVER	1	
237	372498	CR. RE. TRUSS HD. ROUND NECK SCREW M6X14	1	
238	726477	FLAT WASHER	1	
239	375570	CR. RE. TRUSS HD. ROUND NECK SCREW M6X16	1	
240	375571	FLAT WASHER	1	
241	375572	PC-GUARD	1	

* ALTERNATIVE PARTS





MODEL
C8FSHG(2/2)