

# HIKOKI

## SLIDE COMPOUND SAW

Item No.	Code No.	Description	No. Used	Remarks
1	935196	MACHINE SCREW (W/WASHERS) M4X12 (BLACK)	1	
2	312488	CLAMP LEVER	1	
3	329409	BOLT (LEFT HAND) D10	1	
4	965077	SPECIAL WASHER	1	
5	325028	SET PIN	1	
6	996407	O-RING (1AP-12)	1	
7	949215	MACHINE SCREW M4X8 (10 PCS.)	5	
8	949429	BOLT WASHER M4 (10 PCS.)	6	
9	320141	HINGE SHAFT (A)	1	
10	329417	SCALE (B)	1	
11	329408	LINER (A)	1	
12	312481	SPRING	1	
13A	329422	TURN TABLE ASS'Y	1	INCLUD.10
14	329418	SHAFT (B)	1	
15	949437	BOLT WASHER M12 (10 PCS.)	2	
16	949217	MACHINE SCREW M4X12 (10 PCS.)	1	
17	321329	INDICATOR	1	
18	949256	MACHINE SCREW M6X16 (10 PCS.)	6	
19	329421	TABLE INSERT	2	
20	321342	SPACER (A)	1	
21	329416	SHAFT (A)	1	
22	673489	RETAINING RING (E-TYPE) FOR D5 SHAFT	1	
23A	376050	SIDE HANDLE	1	
24	321339	LEVER SHAFT	1	
25	321338	LEVER	1	
26	321340	SPRING (D)	1	
27	329415	SHAFT (C)	1	
28	987860	SEAL LOCK HEX. SOCKET SET SCREW M6X6	1	
29	321417	SPRING (E)	1	
30	322280	STOPPER (A)	1	
31	324395	COVER (B)	1	
32	875249	THRUST WASHER	1	
33	321336	PIN COVER	1	
34	302522	KNOB BOLT M10X66	1	
35	301806	WING BOLT M6X15	1	
36		SCREW HOLDER	1	
37	949432	BOLT WASHER M6 (10 PCS.)	1	
38	329859	WISE SHAFT	1	
39	302532	WISE PLATE	1	
40	949216	MACHINE SCREW M4X10 (10 PCS.)	1	
41	329860	WISE ASS'Y	1	INCLUD.34-40
42	949678	BOLT M8X35 (10 PCS.)	4	
43	949457	SPRING WASHER M8 (10 PCS.)	4	
44	949433	BOLT WASHER M8 (10 PCS.)	4	
45	307937	WING BOLT (A)	1	
46	329420	FENCE (B)	1	
47	963837	NYLON NUT M6	1	FOR USA,CAN,EUROPE,MODEL (S)
48	329465	PLATE	1	FOR USA,CAN,EUROPE,MODEL (S)
49	330138	SUB FENCE	1	FOR USA,CAN,EUROPE,MODEL (S)
50	949342	FLAT HD. SCREW M6X25 (10 PCS.)	1	FOR USA,CAN,EUROPE,MODEL (S)
51	998844	HOLDER	1	
52	949610	BOLT M6X10 (10 PCS.)	1	
53	324400	LINER	3	

\* ALTERNATIVE PARTS

# HIKOKI

## SLIDE COMPOUND SAW

Item No.	Code No.	Description	No. Used	Remarks
54	329419	FENCE (A)	1	EXCEPT FOR USA,CAN,EUROPE (TILL 12.2018
*54	329419			FOR USA,CAN), (TILL 04.2019 FOR EUROPE)
54A	375128	FENCE (A)	1	SINCE 01.2019 FOR USA,CAN,MODEL(S)
*54A	375128			SINCE 05.2019 FOR EUROPE
55	329414	BASE ASS'Y	1	INCLUD.52,56,57 EXCEPT FOR USA,CAN,
*55	329414			MODEL(S),EUROPE
55A	375127	BASE ASS'Y	1	INCLUD.52,56,57,223 FOR USA,CAN,MODEL(S)
*55A	375127			EUROPE
56	323606	BASE RUBBER	4	
57	315210	SCALE (A)	1	
58		CAUTION LABEL (A)	1	
58		CAUTION LABEL (B)	1	
				FOR CHN
81	322889	SLEEVE	1	
82	329410	SPRING	1	
83	961554	HEX. SOCKET SET SCREW M8X10	4	
84	329427	HINGE (A) ASS'Y	1	INCLUD.83,97
85	949237	MACHINE SCREW M5X12 (10 PCS.)	1	
86	998980	SPACER	1	
87A	329411	LINK	1	
88	320141	HINGE SHAFT (A)	1	
89	984528	O-RING (P-6)	1	
90	302518	STOPPER PIN ASS'Y	1	INCLUD.89
91	324058	HINGE COVER	1	
92	949429	BOLT WASHER M4 (10 PCS.)	5	
93	949215	MACHINE SCREW M4X8 (10 PCS.)	3	
*94	500234Z	CORD	1	(CORD ARMOR D10.1)
*94	500461Z	CORD	1	(CORD ARMOR D10.1) FOR GBR (110V)
*94	500435Z	CORD	1	(CORD ARMOR D10.1) FOR GBR (230V)
*94	500447Z	CORD	1	(CORD ARMOR D10.1) FOR SUI
*94	500434Z	CORD	1	(CORD ARMOR D10.1) FOR USA,CAN
*94	930055	CORD	1	(CORD ARMOR D10.1) FOR UAE (110V)
*94	500439Z	CORD	1	(CORD ARMOR D10.1) FOR AUS
*94	500456Z	CORD	1	(CORD ARMOR D10.1) FOR CHN
*94	500455Z	CORD	1	(CORD ARMOR D10.1) FOR THA,PHI
*94	323974	CORD	1	(CORD ARMOR D10.1) FOR TPE
*94	500423Z	CORD	1	(CORD ARMOR D10.1) FOR MAL,SIN,
				UAE (230V,240V)
*94	500247Z	CORD	1	(CORD ARMOR D10.1) FOR FIN,DEN,SWE,NOR,
				MODEL (S)
95	935196	MACHINE SCREW (W/WASHERS) M4X12 (BLACK)	1	
*96	948614	NYLON CLIP	1	
*96	948193	NYLON CLIP	1	FOR USA,CAN,UAE (110V),TPE,FIN,DEN,SWE,
				NOR,MODEL (S)
97	329492	SUPPORT	1	
98	949215	MACHINE SCREW M4X8 (10 PCS.)	1	
99	329424	BALL BUSHING	1	
100	326141	BUSHING	1	
101	324418	KNOB BOLT M6X25	1	
102	947859	LOCK SPRING	1	
103	307956	SEAL LOCK HEX. SOCKET SET SCREW M6X10	1	
104	949217	MACHINE SCREW M4X12 (10 PCS.)	1	
105	321329	INDICATOR	1	

\* ALTERNATIVE PARTS

# HIKOKI

## SLIDE COMPOUND SAW

Item No.	Code No.	Description	No. Used	Remarks
106	301575	HEX. SOCKET SET SCREW M6X8	2	
107	305558	TAPPING SCREW (W/FLANGE) D5X25 (BLACK)	1	EXCEPT FOR EUROPE,MODEL (S)
108	303409	NYLOCK BOLT M8X25	2	
109	329428	HOLDER (A)	1	
110	324372	GUARD ASS'Y	1	INCLUD.107 EXCEPT FOR EUROPE,MODEL (S)
*110	324372	GUARD ASS'Y	1	TILL 12.2018 FOR USA,CAN
111	998879	KNOB BOLT	1	FOR EUROPE,MODEL (S) (SINCE 01.2019 FOR
*111	998879			USA,CAN,MODEL(S))
112	321333	GUARD (A)	1	FOR EUROPE,MODEL (S)(SINCE 01.2019 FOR
*112	321333			USA,CAN,MODEL(S))
113	321394	GUARD HOLDER	1	FOR EUROPE,MODEL (S) (SINCE 01.2019 FOR
*113	321394			USA,CAN,MODEL(S))
151	984750	TAPPING SCREW (W/FLANGE) D4X16	2	
152	938051	CORD ARMOR D10.1	1	
153	937631	CORD CLIP	1	
154	329437	HOUSING ASS'Y	1	INCLUD.157,158
155		NAME PLATE	1	
156	322123	MACHINE SCREW (W/WASHERS) M5X40 (BLACK)	3	
157	938477	HEX. SOCKET SET SCREW M5X8	2	
158	957571	BRUSH HOLDER	2	
*159	999001	CARBON BRUSH (1 PAIR)	2	
*159	999021	CARBON BRUSH (1 PAIR)	2	FOR GBR (110V),USA,CAN,UAE (110V),TPE
160	931266	BRUSH CAP	2	
161	301653	TAPPING SCREW (W/FLANGE) D4X20 (BLACK)	7	
162	329438	HANDLE COVER	1	EXCEPT FOR USA,CAN,EUROPE (TILL 12.2018
*162	329438			FOR USA,CAN), (TILL 04.2019 FOR EUROPE)
162A	375126	HANDLE COVER	1	SINCE 01.2019 FOR USA,CAN,MODEL(S)
*162A	375126			SINCE 05.2019 FOR EUROPE
163A	334379	FERRITE CORE	1	FOR EUROPE,AUS,SAF,GBR,RUS,MODEL (S)
164	959141	CONNECTOR 50092 (10 PCS.)	2	FOR USA,CAN (SINCE 05.2019 FOR EUROPE)
*165	329461	INTERNAL WIRE (G)	1	
*165	329430	INTERNAL WIRE (G)	1	FOR USA,CAN
166	324424	SWITCH (3P FASTON TYPE) W/O LOCK	1	EXCEPT FOR USA,CAN,EUROPE (TILL 12.2018
*166	324424			FOR USA,CAN), (TILL 04.2019 FOR EUROPE)
166A	375115	SWITCH (3P FASTON TYPE)	1	SINCE 01.2019 FOR USA,CAN,MODEL(S)
*166A	375115			SINCE 05.2019 FOR EUROPE
167	958308Z	PILLAR TERMINAL (A)	1	EXCEPT FOR USA,CAN,EUROPE (TILL 04.2019
*167	958308Z			FOR EUROPE)
*168	329861	NOISE SUPPRESSOR 220V-240V	1	FOR EUROPE,GBR (230V),AUS,SAF,IND,KOR,
				INA,UAE (220V),MODEL (S)
*168	329862	NOISE SUPPRESSOR 110V	1	FOR GBR (110V)
169	329439	CAP	1	
170	323433	SPRING	1	
171	323432	LOCK LEVER	1	
172	329436	FAN GUIDE	1	
173	960108	HEX. HD. TAPPING SCREW D4X60	2	
174	931867	BRUSH TERMINAL	2	
*175	340729C	STATOR ASS'Y 110V	1	INCLUD.174
*175	340729D	STATOR ASS'Y 120V	1	INCLUD.174
*175	340729E	STATOR ASS'Y 220V-230V	1	INCLUD.174
*175	340729F	STATOR ASS'Y 240V	1	INCLUD.174
*175	340729G	STATOR ASS'Y 220V-230V	1	INCLUD.174 FOR MODEL (S)
176	6000VV	BALL BEARING 6000VVCMP52L	1	

\* ALTERNATIVE PARTS

# HIKOKI

## SLIDE COMPOUND SAW

Item No.	Code No.	Description	No. Used	Remarks
177	315877	DUST SEAL	1	
178	608VVM	BALL BEARING 608VVC2PS2L	1	
179	322089	BEARING BUSHING	1	
180	322090	RUBBER BUSHING	1	
*181	360839U	ARMATURE ASS'Y 110V-120V	1	INCLUD.176-178
*181	360839E	ARMATURE ASS'Y 220V-230V	1	INCLUD.176-178
*181	360839F	ARMATURE ASS'Y 240V	1	INCLUD.176-178
*181	360839G	ARMATURE ASS'Y 220V-230V	1	INCLUD.176-178 FOR MODEL (S)
*181	360839G			TILL 04.2019 FOR EUROPE
181A	361115E	ARMATURE ASS'Y 220V-230V	1	SINCE 05.2019 FOR EUROPE
182	961468	KNOB BOLT M6X37	1	
183	988821	LOCK SPRING	1	
184	303409	NYLOCK BOLT M8X25	1	
185	996274	MACHINE SCREW (W/WASHERS) M5X8	1	
186	329413	SPINDLE COVER	1	
187		WARNING LABEL (A)	1	
				FOR USA,CAN
188	935196	MACHINE SCREW (W/WASHERS) M4X12 (BLACK)	1	
189	877839	SEAL LOCK HEX. SOCKET HD. BOLT M5X10	1	
190	329431	GEAR CASE	1	
191A	328922	BRAND PLATE	1	
*191A	328922M	BRAND PLATE	1	FOR USA,CAN
192	308259	BOLT (W/WASHERS) M6X16 (BLACK)	1	
193	949260	MACHINE SCREW M6X25 (10 PCS.)	1	
194	606ZZM	BALL BEARING 606VV	1	
195	949455	SPRING WASHER M6 (10 PCS.)	1	
196	949425	WASHER M6 (10 PCS.)	1	
197	329463	LOCK LEVER SPRING	1	FOR AUS,MODEL (S),(TILL 04.2019 FOR
*197	329463			EUROPE)
198	329462	LOCK LEVER	1	FOR AUS,MODEL (S),(TILL 04.2019 FOR
*198	329462			EUROPE)
199	322950	SPECIAL SCREW M6	2	FOR AUS,MODEL (S),(TILL 04.2019 FOR
*199	322950			EUROPE)
200	321364	DUST GUIDE	1	
201	312492	GUIDE HOLDER	1	EXCEPT FOR MODEL (S)
*201	335780	GUIDE HOLDER	1	FOR MODEL (S)
202	998335	BOLT (LEFT HAND) W/WASHER M7X17.5	1	
203		TCT SAW BLADE 216MM-D15.88 HOLE-NT24	1	
203		TCT SAW BLADE 216MM-D25.4 HOLE-NT24	1	
203		TCT SAW BLADE 216MM-D30 HOLE-NT24	1	
*204	976819	COLLAR (B) FOR D25.4 HOLE	1	EXCEPT FOR EUROPE,AUS,USA,CAN,MODEL (S)
205	949322	FLAT HD. SCREW M4X10 (10 PCS.)	2	
206	307731	COVER	1	
207	329412	LOWER GUARD	1	
208	317203	RETURN SPRING	1	EXCEPT FOR USA,CAN,MODEL(S),EUROPE
208A	375131	RETURN SPRING	1	FOR USA,CAN,MODEL(S),EUROPE
209	329432	SPINDLE ASS'Y	1	INCLUD.211-213
210	327694	BALL BEARING 6003VVCM (NYLON RETAINER)	1	
211	329435	BEARING HOLDER	1	
212	608VVM	BALL BEARING 608VVC2PS2L	1	
213	308789	WASHER (D)	2	
214	949241	MACHINE SCREW M5X20 (10 PCS.)	2	
215	949454	SPRING WASHER M5 (10 PCS.)	2	

\* ALTERNATIVE PARTS

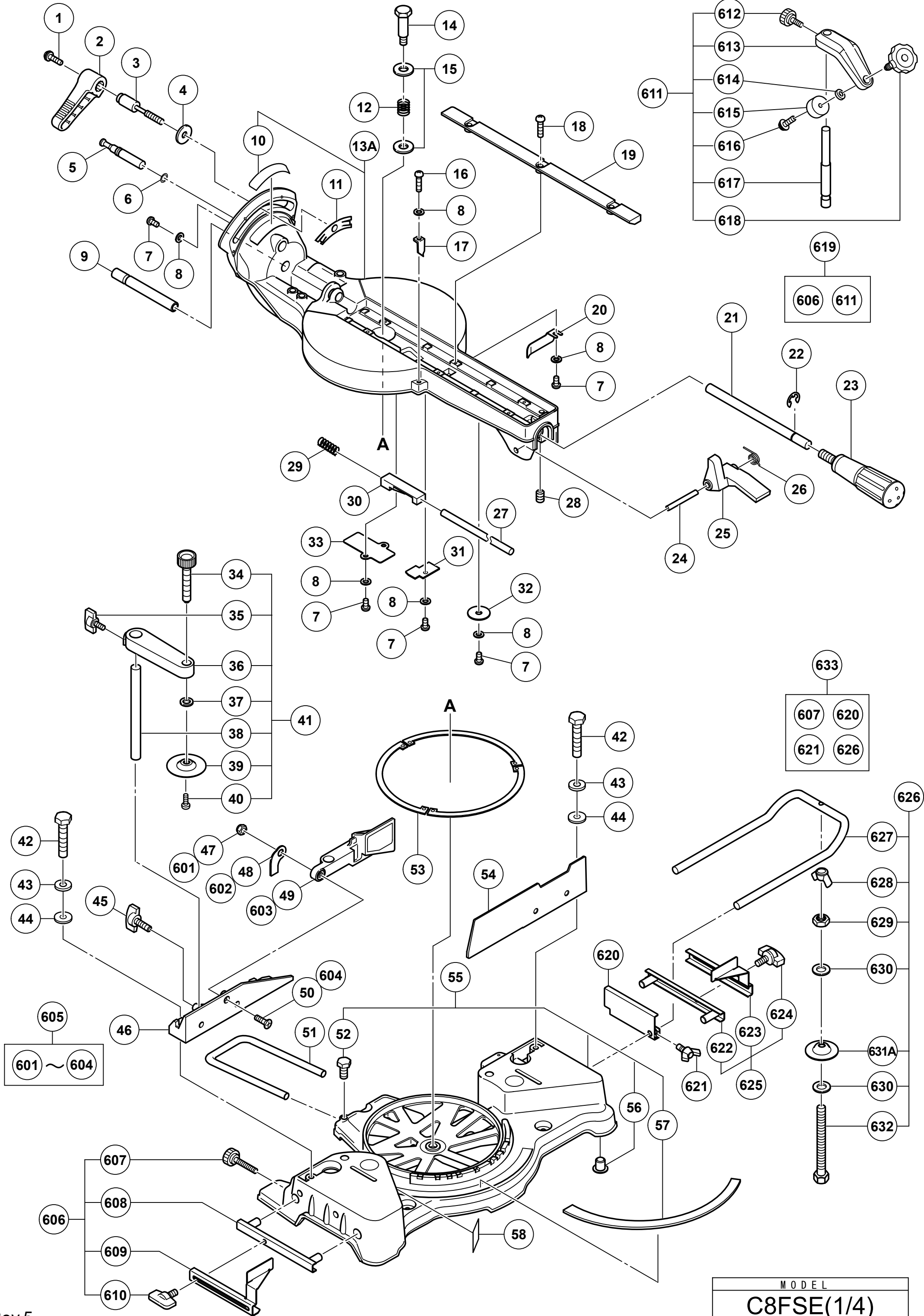
# HIKOKI

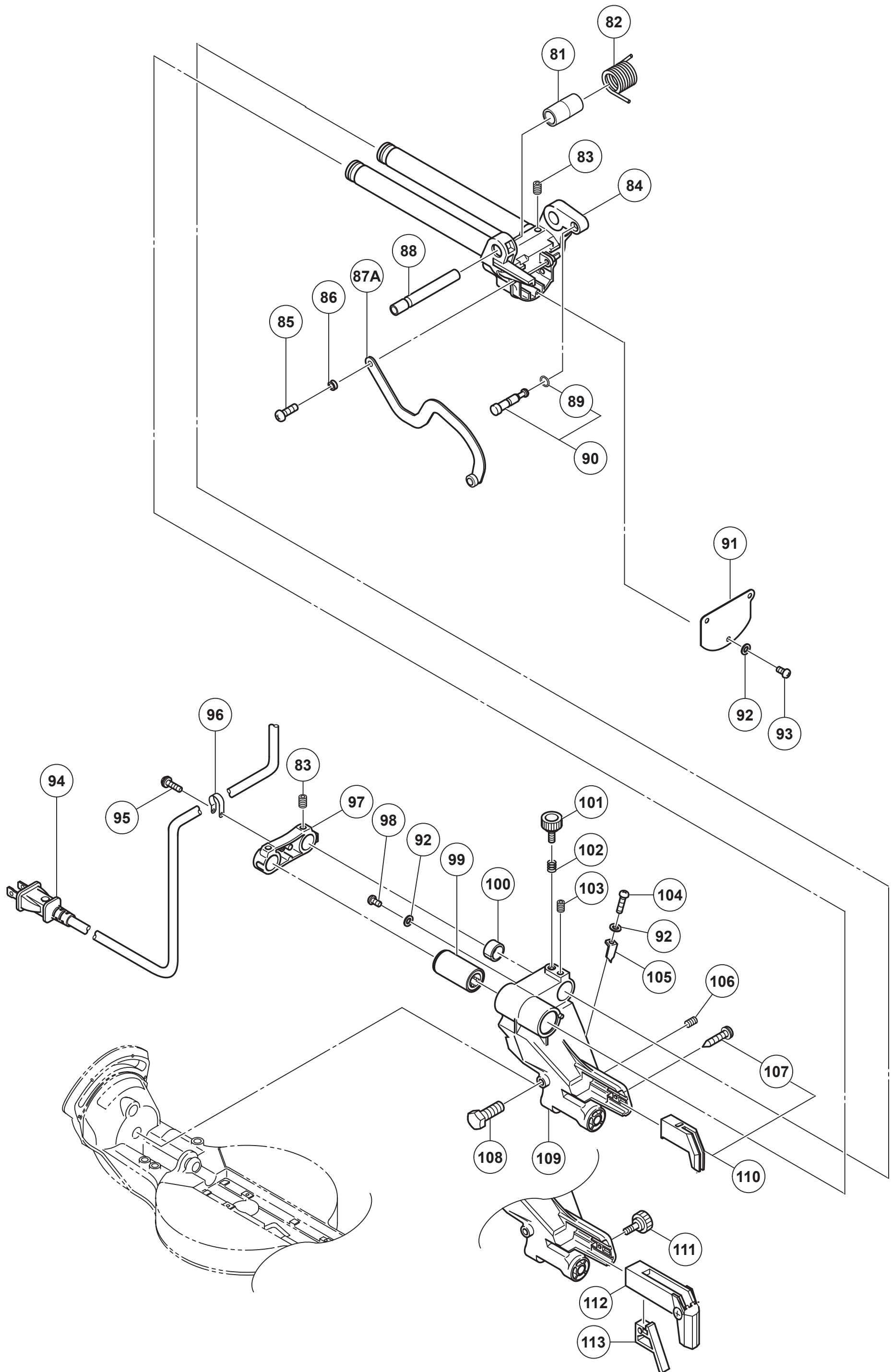
## SLIDE COMPOUND SAW

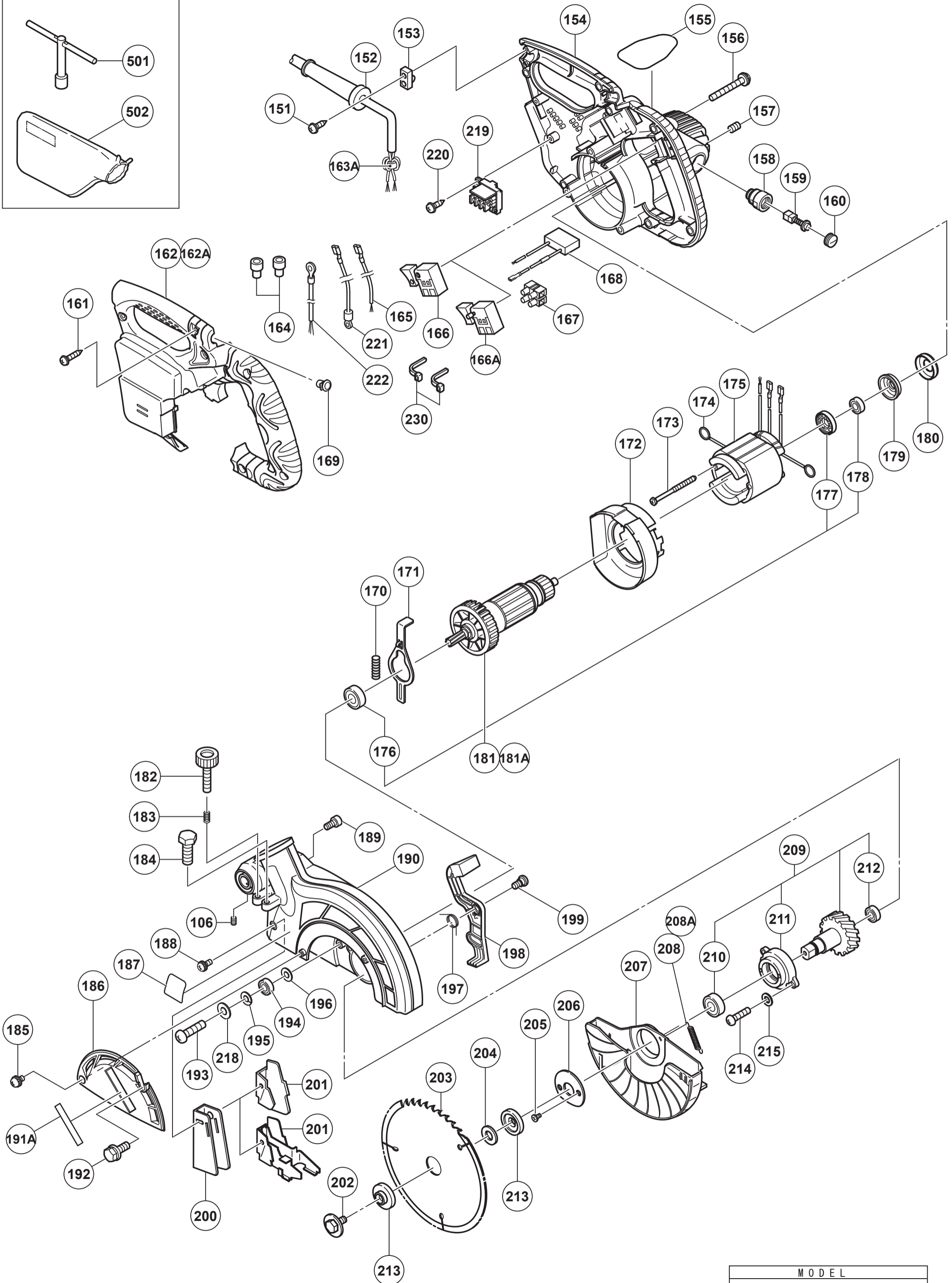
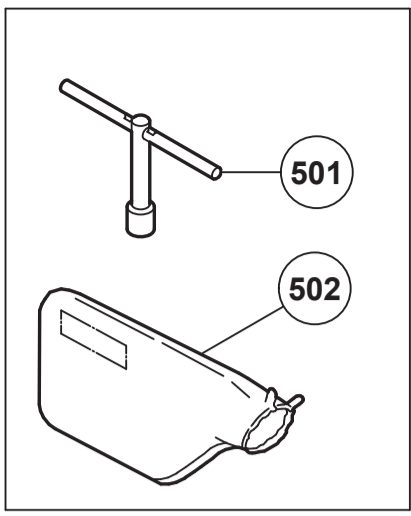
Item No.	Code No.	Description	No. Used	Remarks
218	318452	WASHER (G)	1	
219	336578	CONTROLLER	1	FOR MODEL (S)
220	305720	TAPPING SCREW (W/FLANGE) D4X12	1	FOR MODEL (S)
221	336579	INTERNAL WIRE (H) L300	1	FOR MODEL (S)
222	336580	INTERNAL WIRE (H) L140	1	FOR MODEL (S)
223	949616	BOLT M6X25 (10 PCS.)	2	SINCE 01.2019 FOR USA,CAN,MODEL(S)
*223	949616			SINCE 05.2019 FOR EUROPE
224	375129	SUB TABLE (E) ASS'Y	2	INCLUD.226-228 SINCE 01.2019 FOR USA,CAN
*224	375129			MODEL(S),SINCE 05.2019 FOR EUROPE
225	375130	HOLDER	2	SINCE 01.2019 FOR USA,CAN,MODEL(S)
*225	375130			SINCE 05.2019 FOR EUROPE
226	998852	SPRING	4	SINCE 01.2019 FOR USA,CAN,MODEL(S)
*226	998852			SINCE 05.2019 FOR EUROPE
227	374639	SET SCREW	4	SINCE 01.2019 FOR USA,CAN,MODEL(S)
*227	374639			SINCE 05.2019 FOR EUROPE
228	375132	WING BOLT M6X15	2	SINCE 01.2019 FOR USA,CAN,MODEL(S)
*228	375132			SINCE 05.2019 FOR EUROPE
230	975144	CABLE TIE	2	SINCE 05.2019 FOR EUROPE
		STANDARD ACCESSORIES		
501	940543	BOX WRENCH 10MM	1	
502	322955	DUST BAG (BLACK)	1	
502	322955M	DUST BAG (BLACK)	1	FOR METABOHT
		OPTIONAL ACCESSORIES		
601	963837	NYLON NUT M6	1	EXCEPT FOR USA,CAN,EUROPE,MODEL (S)
602	329465	PLATE	1	EXCEPT FOR USA,CAN,EUROPE,MODEL (S)
603	330138	SUB FENCE	1	EXCEPT FOR USA,CAN,EUROPE,MODEL (S)
604	949342	FLAT HD. SCREW M6X25 (10 PCS.)	1	EXCEPT FOR USA,CAN,EUROPE,MODEL (S)
605	329464	SUB FENCE ASS'Y	1	INCLUD.601-604 EXCEPT FOR USA,CAN,
				EUROPE,MODEL (S)
606	321374	CROWN MOLDING STOPPER (L) ASS'Y	1	INCLUD.607-610
607	960017	KNOB BOLT M6X32	1	
608	321390	CROWN MOLDING STOPPER HOLDER	1	
609		CROWN MOLDING STOPPER (L)	1	
610	301806	WING BOLT M6X15	1	
611	322957	WISE (B) ASS'Y	1	INCLUD.612-618
612	998836	KNOB BOLT M6X11	1	
613		SCREW HOLDER (B)	1	
614	306985	WASHER (H)	1	
615	964851	BASE RUBBER	1	
616	304043	MACHINE SCREW (W/WASHERS) M4X10 (BLACK)	1	
617	318967	WISE SHAFT	1	
618	321551	KNOB BOLT M10X54	1	
619	329782	CROWN MOLDING VISE ASS'Y	1	INCLUD.606,611
620	974561	STOPPER	1	
621	949404	WING BOLT M6X20 (10 PCS.)	1	
622	321390	CROWN MOLDING STOPPER HOLDER	1	
623		CROWN MOLDING STOPPER (R)	1	
624	301806	WING BOLT M6X15	1	
625	321373	CROWN MOLDING STOPPER (R) ASS'Y	1	INCLUD.607,622-624
626		HOLDER ASS'Y	1	
				INCLUD.627-632
627	321549	HOLDER	2	
628	949313	WING NUT M6 (10 PCS.)	2	

\* ALTERNATIVE PARTS









MODEL  
C8FSE(3/4)

