

HIKOKI

CIRCULAR SAW C7U3

Item No.	Code No.	Description	No. Used	Remarks
1	998887	LINER	1	
2	327694	BALL BEARING 6003VVCM (NYLON RETAINER)	1	
3	370591	WASHER	1	
4	370373	RETURN SPRING	1	
5	370356	LOWER GUARD	1	
6	302435	BEARING COVER	1	
7	990430	SEAL LOCK FLAT HD. SCREW M4X10	2	
*8	370272	WASHER (A)	1	
*9	324668	TCT SAW BLADE 190MM-D30 HOLE-NT18	1	
10A	370354	SAW COVER	1	
11	951039	MACHINE SCREW (W/SP. WASHER) M4X12	3	
*12	997247	DUST COLLECTOR	1	EXCEPT FOR CHN
*13	935196	MACHINE SCREW (W/WASHERS) M4X12 (BLACK)	1	EXCEPT FOR CHN
14	370542	LEVER	1	
15	935196	MACHINE SCREW (W/WASHERS) M4X12 (BLACK)	2	
16	370279	WASHER (B)	1	
17	324662	HEX. SOCKET HD. BOLT M8X15.5	1	
18	930703	BRUSH TERMINAL	2	
*19	340945E	STATOR ASS'Y 220V-230V	1	INCLUD.18
20	370342	FAN GUIDE	1	
*21	361037E	ARMATURE 220V-230V	1	
22	370344	FLOW GUIDE (B)	1	
23	370343	FLOW GUIDE (A)	1	
24	370349	GEAR COVER	1	
25	949686	ROLL PIN D6X40 (10 PCS.)	1	
26	961729	CUSHION	1	
27	949794	FLAT HD. SCREW M6X20 (10 PCS.)	1	
28	370371	SPINDLE AND GEAR SET	1	
29	370353	BEARING HOLDER	1	
30	992013	SEAL LOCK FLAT HD. SCREW M5X14	2	
31	370364	ARM	1	
32	370365	RIVING KNIFE	1	
33	370287	HEX. SOCKET HD. BOLT M8	2	
34A	378200	DIAGONAL BOLT M8 ASS'Y	1	INCLUD.53,54
35	370363	LOCK LEVER	1	
36	330982	SPRING (A)	1	
37	6001VV	BALL BEARING 6001VV	1	
38	301806	WING BOLT M6X15	1	
39	947859	LOCK SPRING	1	
40	324658	WING NUT M8	1	
41	949433	BOLT WASHER M8 (10 PCS.)	1	
42	331003	MACHINE SCREW (W/SP. WASHER) M4(BLACK)	1	
43	324659	GUIDE PIECE	1	
44	319541	SEAL LOCK HEX. SOCKET SET SCREW M5X6	1	
45	370368	PLATE	1	
46	370295	STEP PIN	1	
47	324660	KNOB	1	
48	676531	O-RING (P-7)	1	
49	949433	BOLT WASHER M8 (10 PCS.)	1	
50	302457	BOLT (SQUARE) M8X30	1	
51A	379529	NYLOCK SET SCREW M6	1	
52	370267	SLEEVE (A)	1	
53	370278	SEAL LOCK HEX. SOCKET HD. BOLT M4X6	1	

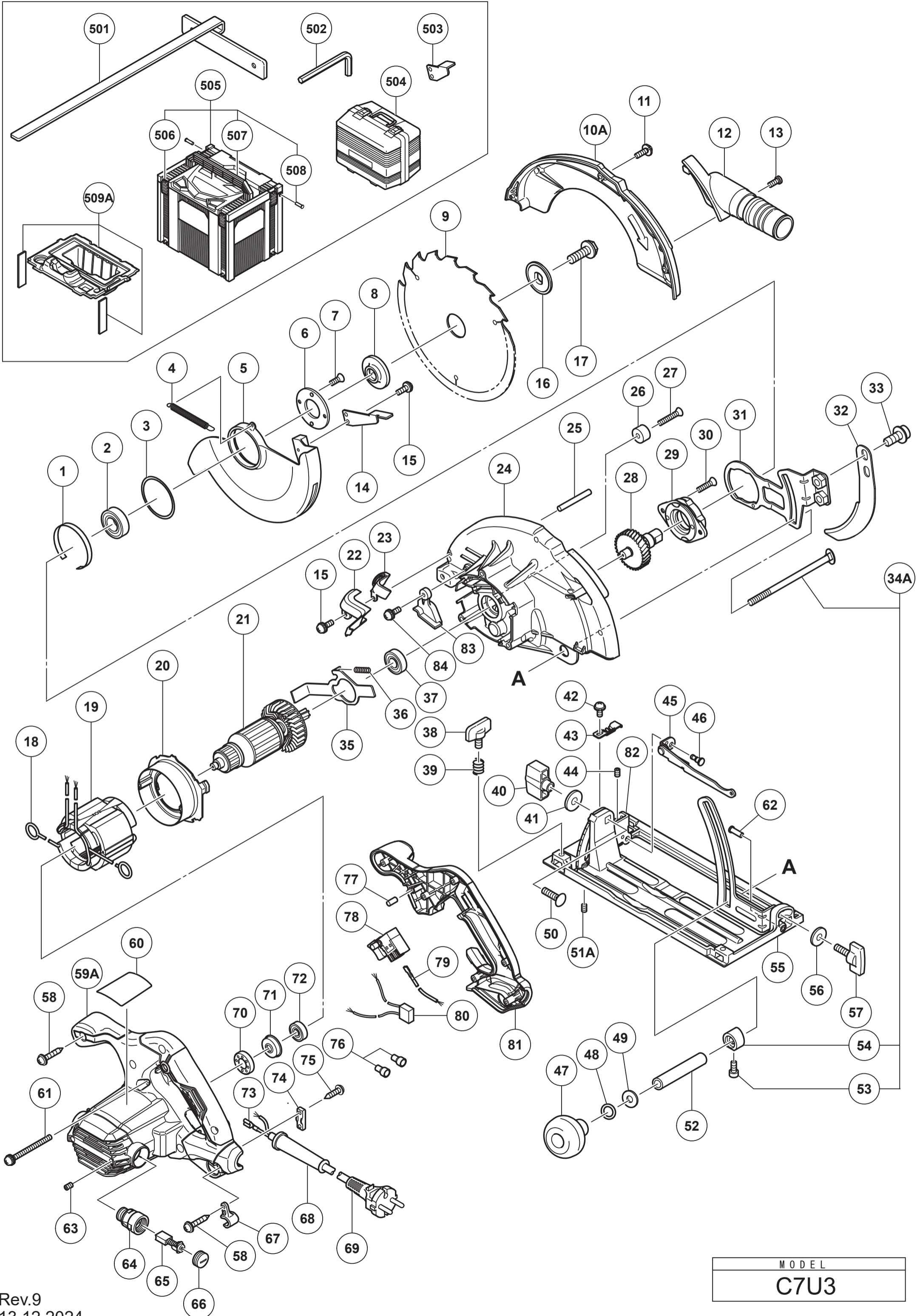
* ALTERNATIVE PARTS

HIKOKI

CIRCULAR SAW C7U3

Item No.	Code No.	Description	No. Used	Remarks
54	370268	SLEEVE (B)	1	
55	370359	BASE ASS'Y	1	INCLUD.62
56	949425	WASHER M6 (10 PCS.)	1	
57	302459	WING BOLT M6X17	1	
58	301653	TAPPING SCREW (W/FLANGE) D4X20 (BLACK)	6	
*59A	370339	HOUSING ASS'Y	1	INCLUD.63,64
*60		NAME PLATE	1	
				EXCEPT FOR CHN
61	997841	MACHINE SCREW (W/WASHERS) M5X50 (BLACK)	3	
62	308480	RIVET D6X17	1	
63	938477	HEX. SOCKET SET SCREW M5X8	2	
64	958900	BRUSH HOLDER	2	
65	999043	CARBON BRUSH (1 PAIR)	2	
66	945161	BRUSH CAP	2	
67	370269	CORD HOLDER	1	
68	953327	CORD ARMOR D8.8	1	
*69	500390Z	CORD	1	(CORD ARMOR D8.8)
70	331006	RUBBER BUSHING	1	
71	322089	BEARING BUSHING	1	
72	333945	BALL BEARING 608VV	1	
73	331707	FASTON	1	
74	937631	CORD CLIP	1	
75	984750	TAPPING SCREW (W/FLANGE) D4X16	2	
76	959141	CONNECTOR 50092 (10 PCS.)	2	
77	931701	BEARING LOCK	1	
*78	334474	SWITCH	1	
79	370661	INTERNAL WIRE	1	
80	930039	NOISE SUPPRESSOR	1	
81	370341	HANDLE COVER	1	
82	370367	BEVEL PLATE	1	
83	371213	PLATE (C)	1	
84	935196	MACHINE SCREW (W/WASHERS) M4X12 (BLACK)	1	
		STANDARD ACCESSORIES		
501	370587	GUIDE	1	
502	872422	HEX. BAR WRENCH 6MM	1	
*503	370264	LEVER	1	EXCEPT FOR CHN
*505	337528	CASE ASS'Y (STACKABLE 4)	1	INCLUD.506-508 FOR EUROPE,GBR
*506	336472	LATCH	4	FOR EUROPE,GBR
*507	336473	HANDLE	1	FOR EUROPE,GBR
*508	336474	HINGE	2	FOR EUROPE,GBR
*509A	376125	INNER TRAY SET	1	FOR EUROPE,GBR
		OPTIONAL ACCESSORIES		
601	331762	GUIDE RAIL ASS'Y	1	INCLUD.602-607
602	330968	GUIDE RAIL ADAPTER	1	
603	330978	GUIDE RAIL PLATE	1	
604	330979	GUIDE BAR	1	
605	330980	GUIDE BAR	1	
606	307947	WING BOLT M6X12	2	
607	331761	MACHINE SCREW (W/SP. WASHER) M5X12(BLACK)	2	

* ALTERNATIVE PARTS



MODEL
C7U3