

HIKOKI

OEM C3610DRJ

Item No.	Code No.	Description	No. Used	Remarks
301	375829	STOP SCREW	2	FOR EUROPE ,AUS
302	375828	CROSS RECESSED PAN HEAD TAPPING SCREW	6	FOR EUROPE ,AUS
303	376408	BIG FLAT WASHER	2	FOR EUROPE ,AUS
304	376409	LOCKING HANDLE	2	FOR EUROPE ,AUS
305	376412	LOCKING PLATE	2	FOR EUROPE ,AUS
306	375831	POSITIONING SPRING	2	FOR EUROPE ,AUS
307	375832	LIMITATION PLATE	2	FOR EUROPE ,AUS
308	376415	CROSS RECESSED PAN HEAD TAPPING SCREW	2	FOR EUROPE ,AUS
309	375833	CROSS RECESSED PAN HEAD TAPPING SCREW	4	FOR EUROPE ,AUS
310	376422	RIP FENCE ASS'Y	1	FOR EUROPE ,AUS
311	376416	RIP FENCE	1	FOR EUROPE ,AUS
312	376411	ELASTIC CYLINDRICAL PIN	2	FOR EUROPE ,AUS
313	376410	ELASTIC CYLINDRICAL PIN	2	FOR EUROPE ,AUS
314	376392	FLAT WASHER	6	FOR EUROPE ,AUS
315	375825	FIXING PLATE (C)	1	FOR EUROPE ,AUS
316	375830	FIXING PLATE (A)	2	FOR EUROPE ,AUS
317	376413	RIP FENCE HOLDER (LEFT)	1	FOR EUROPE ,AUS
318	376417	VICE RIP FENCE	1	FOR EUROPE ,AUS
319	376414	RIP FENCE HOLDER (RIGHT)	1	FOR EUROPE ,AUS
320	375823	FIXING PLATE (B)	1	FOR EUROPE ,AUS
321	376419	BLADE GUARD ASS'Y	1	FOR EUROPE ,AUS
322	374650	BOLT	4	FOR EUROPE ,AUS
323	374651	LEFT BLADE GUARD	1	FOR EUROPE ,AUS
324	374652	LATCH CAP	2	FOR EUROPE ,AUS
325	374662	HEXAGON SOCKET SET SCREW	5	FOR EUROPE ,AUS
326	375844	HEX. SOCKET SET SCREW WITH FLAP POINT M5	1	FOR EUROPE ,AUS
327	374654	STOP PIN	1	FOR EUROPE ,AUS
328	374655	BLADE GUARD SUPPORT SEAT SPRING	2	FOR EUROPE ,AUS
329	374657	RIGHT BLADE GUARD	1	FOR EUROPE ,AUS
330	371595	SPLIT WASHER 4	2	FOR EUROPE ,AUS
331	371596	FLAT WASHER 6	10	FOR EUROPE ,AUS
332	374656	SLIDING DETENT	1	FOR EUROPE ,AUS
333	374653	BLADE GUARD SUPPORT SEAT	1	FOR EUROPE ,AUS
334	371610	WASHER ON SHAFT 11	2	FOR EUROPE ,AUS
335	374658	ANTI-KICKBACK PAWL(A)	1	FOR EUROPE ,AUS
336	371601	LATCH	1	FOR EUROPE ,AUS
337	371604	COMPRESSING SPRING (A)	1	FOR EUROPE ,AUS
338	374659	ANTI-KICKBACK PAWL SUPPORT SEAT	1	FOR EUROPE ,AUS
339	371606	SPRING PIN	1	FOR EUROPE ,AUS
340	371600	KNOB	1	FOR EUROPE ,AUS
341	375841	ANTI-KICKBACK PAWLS ASS'Y	1	FOR EUROPE ,AUS
342	375838	WASHER	2	FOR EUROPE ,AUS
343	374660	ANTI-KICKBACK PAWL(B)	1	FOR EUROPE ,AUS
344	371609	ANTI-KICKBACK PAWL SPRING	1	FOR EUROPE ,AUS
345	374661	RIVING KNIFE	1	FOR EUROPE ,AUS
346	374665	HEXAGON SOCKET SCREW M14	2	FOR EUROPE ,AUS
347	371577	EXTENSION TABLE	1	FOR EUROPE ,AUS
348	371581	EXTENSION ROD	2	FOR EUROPE ,AUS
349	374666	STOP COLLAR	2	FOR EUROPE ,AUS
350	374667	CROSS PAN HEAD SCREW	2	FOR EUROPE ,AUS
*351	371423	CROSS PAN HEAD SCREW M4X8	8	FOR EUROPE
352	376418	OUTFEED SUPPORT ASS'Y	1	FOR EUROPE ,AUS
353	375845	MITER GAUGE ASS'Y	1	FOR EUROPE ,AUS

* ALTERNATIVE PARTS

HIKOKI

OEM C3610DRJ

Item No.	Code No.	Description	No. Used	Remarks
354	374682	HANDLE FOR MITER GAUGE	1	FOR EUROPE ,AUS
355	371541	BIG FLAT WASHER 6	9	FOR EUROPE ,AUS
356	374683	MITER GAUGE	1	FOR EUROPE ,AUS
357	371625	STEEL BALL	1	FOR EUROPE ,AUS
358	374684	COMPRESSING SPRING (B)	1	FOR EUROPE ,AUS
359	374685	POINTER	1	FOR EUROPE ,AUS
360	371627	HEX. SOCKET SET SCREW WITH FLAT POINT M6	1	FOR EUROPE ,AUS
361	371643	FRICTION PAD	3	FOR EUROPE ,AUS
362	371631	ADJUSTING SHIM	1	FOR EUROPE ,AUS
363	371628	BAR FOR MITER GAUGE	1	FOR EUROPE ,AUS
364	371629	BOLT (A)	1	FOR EUROPE ,AUS
365	371475	CROSS RECESSED PAN HEAD TAPPING SCREW	2	FOR EUROPE ,AUS
366	376388	TABLE INSERT ASS'Y	1	FOR EUROPE ,AUS
367	376387	BASE PLATE	1	FOR EUROPE ,AUS
368	376381	TABLE INSERT	1	FOR EUROPE ,AUS
369	374664	TABLE INSERT LOCK PLATE	1	FOR EUROPE ,AUS
370	371424	FLAT WASHER 4	32	FOR EUROPE ,AUS
371	371443	SPRIN WASHER 4	5	FOR EUROPE ,AUS
372	371506	CROSS PAN HEAD SCREW M4X10	5	FOR EUROPE ,AUS
373	376384	SOCKET HEAD CAP SCREW	6	FOR EUROPE ,AUS
374	371542	HEX. NUT M6	6	FOR EUROPE ,AUS
375	371549	ADJUSTING BOLT	2	FOR EUROPE ,AUS
376	371550	ADJUSTING WHEEL	2	FOR EUROPE ,AUS
377	371552	LOCK NUT M4	2	FOR EUROPE ,AUS
*378	376390	TABLE INSERT LOCKING BLOCK (A)	1	FOR EUROPE
379	376389	SCALE LABEL	1	FOR EUROPE ,AUS
380	371551	RAIL	2	FOR EUROPE ,AUS
381	376383	SLIDING RAIL (B)	1	FOR EUROPE ,AUS
382	376382	SLIDING RAIL (A)	1	FOR EUROPE ,AUS
383	371546	HEX. SOCKET CAP SCREW M5X16	12	FOR EUROPE ,AUS
384	371548	FRICTION PAD	2	FOR EUROPE ,AUS
385	374669	WORKING TABLE	1	FOR EUROPE ,AUS
386	371585	KNOB	2	FOR EUROPE ,AUS
387	374671	TABLE INSERT LOCKING BLOCK (B)	1	FOR EUROPE ,AUS
388	374674	MOVABLE BAFFLE FIXED SEAT	2	FOR EUROPE ,AUS
389	371545	POINTER	1	FOR EUROPE ,AUS
390	371527	REAR LOCKING ROD (B)	1	FOR EUROPE ,AUS
391	371526	COMPRESSION SPRING	3	FOR EUROPE ,AUS
392	371528	SPRING PIN	2	FOR EUROPE ,AUS
393	371529	SLIDER (A)	2	FOR EUROPE ,AUS
394	374691	SPRING WASHER	28	FOR EUROPE ,AUS
395	374692	CROSS PAN HEAD SCREW	14	FOR EUROPE ,AUS
396	374690	FLAT WASHER	28	FOR EUROPE ,AUS
397	371525	CLAMP BOARD	3	FOR EUROPE ,AUS
398	375803	BAFFLE	1	FOR EUROPE ,AUS
399	374689	LOCATION-LIMITED PLATE (B)	1	FOR EUROPE ,AUS
400	371543	SPRING PIN	1	FOR EUROPE ,AUS
401	371533	FRONT LOCKING ROD	1	FOR EUROPE ,AUS
402	371434	HEX. NUT M8	2	FOR EUROPE ,AUS
403	374688	LONGER NUT M8 (B)	1	FOR EUROPE ,AUS
404	374687	LOCKING LEVER	1	FOR EUROPE ,AUS
405	371539	LOCKING BLOCK	2	FOR EUROPE ,AUS
406	374686	LOCATION-LIMITED PLATE (A)	1	FOR EUROPE ,AUS

* ALTERNATIVE PARTS

HIKOKI

OEM C3610DRJ

Item No.	Code No.	Description	No. Used	Remarks
407	371537	SHEATH FOR LOCKING LEVER	1	FOR EUROPE ,AUS
408	371531	REAR LOCKING ROD (A)	1	FOR EUROPE ,AUS
409	371521	ADJUSTING SUPPORT SEAT (A)	2	FOR EUROPE ,AUS
410	374696	ADJUSTING GEAR	2	FOR EUROPE ,AUS
411	376385	ROTATION KNOB	1	FOR EUROPE ,AUS
412	371515	FLAT WASHER	1	FOR EUROPE ,AUS
413	371514	HEX. NUT M10	2	FOR EUROPE ,AUS
414	371518	ADJUSTING SUPPORT SEAT (C)	2	FOR EUROPE ,AUS
415	371519	ADJUSTING SPRING	2	FOR EUROPE ,AUS
416	374777	CROSS PAN HEAD SCREW	7	FOR EUROPE ,AUS
417	371520	ADJUSTING SUPPORT SEAT (B)	2	FOR EUROPE ,AUS
418	374697	BIG FLAT WASHER	2	FOR EUROPE ,AUS
419	371595	SPLIT WASHER 4	2	FOR EUROPE ,AUS
420	371524	SPRING PIN	2	FOR EUROPE ,AUS
421	376386	ADJUTING ROD	1	FOR EUROPE ,AUS
422	374729	ECCENTRIC LOCATION-LIMITED	2	FOR EUROPE ,AUS
423	371475	CROSS RECESSED PAN HEAD TAPPING SCREW	20	FOR EUROPE ,AUS
424	375820	BACK PLATE	1	FOR EUROPE ,AUS
425	374743	HEXAGON SOCKET HEAD CAP SCREW M5X10	2	FOR EUROPE ,AUS
426	374731	ANGLE ADJUSTING BASE	1	FOR EUROPE ,AUS
427	371476	CROSS RECESSED COUNTERSUNK HEAD SCREW	3	FOR EUROPE ,AUS
428	371464	FRONT PANEL	1	FOR EUROPE ,AUS
429	371532	PUSH STICKER	1	FOR EUROPE ,AUS
430	371463	BEVEL LABEL	1	FOR EUROPE ,AUS
431	371426	ADJUSTABLE FOOT (B)	2	FOR EUROPE ,AUS
432	371610	WASHER ON SHAFT 11	2	FOR EUROPE ,AUS
433	374709	BEVEL GEAR	2	FOR EUROPE ,AUS
434	371487	A TYPE KEY	2	FOR EUROPE ,AUS
435A	376681	UP AND DOWN ADJUSTING ROD (A) SET	1	INCLUD. 529-531 FOR EUROPE ,AUS
436	371460	ROTATION WHEEL	1	FOR EUROPE ,AUS
437	371455	HEX. NUT M5	2	FOR EUROPE ,AUS
438	374738	ROTATION HANDLE	1	FOR EUROPE ,AUS
439	374739	CRANK HANDLE KNOB	1	FOR EUROPE ,AUS
440	374740	HANDLE SCREW	1	FOR EUROPE ,AUS
441	371427	ADJUSTABLE FOOT (A)	2	FOR EUROPE ,AUS
442	374741	WASHER SLEEVE	1	FOR EUROPE ,AUS
443	374742	LOCKING COMPRESSION SPRING	1	FOR EUROPE ,AUS
444	371482	COMPRESSION SCEW ROD	1	FOR EUROPE ,AUS
445	371453	HEXAGON SOCKET HEAD CAP SCREW M5X12	1	FOR EUROPE ,AUS
446	371454	LOCKING HANDLE	1	FOR EUROPE ,AUS
447	371462	45° POINTER	1	FOR EUROPE ,AUS
448	374735	MITER GAUGE STORAGE	1	FOR EUROPE ,AUS
449	371442	BLADE GUARD STORAGE (B)	1	FOR EUROPE ,AUS
450	371446	BLADE GUARD STORAGE (A)	1	FOR EUROPE ,AUS
451	374736	FRAME ASS'Y	1	FOR EUROPE ,AUS
452	371444	PUSH STICKER STORAGE (A)	1	FOR EUROPE ,AUS
453	371445	PUSH STICKER STORAGE (B)	1	FOR EUROPE ,AUS
454	371429	SPRING WASHER	8	FOR EUROPE ,AUS
455	371428	HEXAGON SOCKET HEAD CAP SCREW M6X16	4	FOR EUROPE ,AUS
456	374720	HEXAGON BOLT	1	FOR EUROPE ,AUS
457	374719	BATTERY PANEL	1	FOR EUROPE ,AUS
458	374718	BLADE WRENCH	2	FOR EUROPE ,AUS
459	374717	LOCKING KNOB	1	FOR EUROPE ,AUS

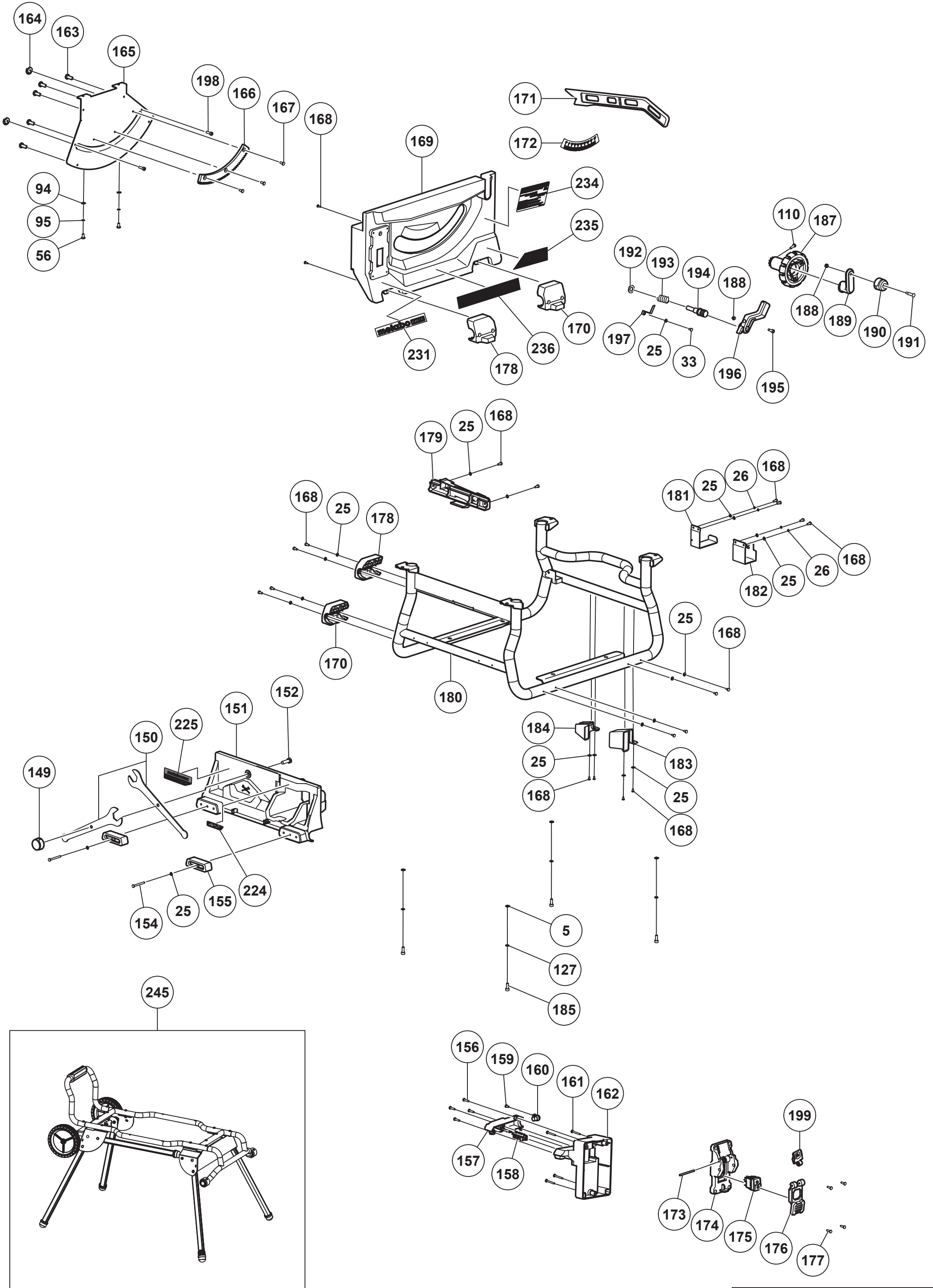
* ALTERNATIVE PARTS

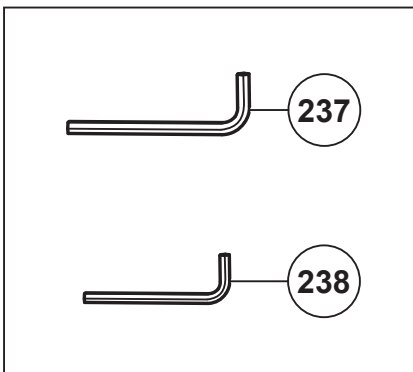
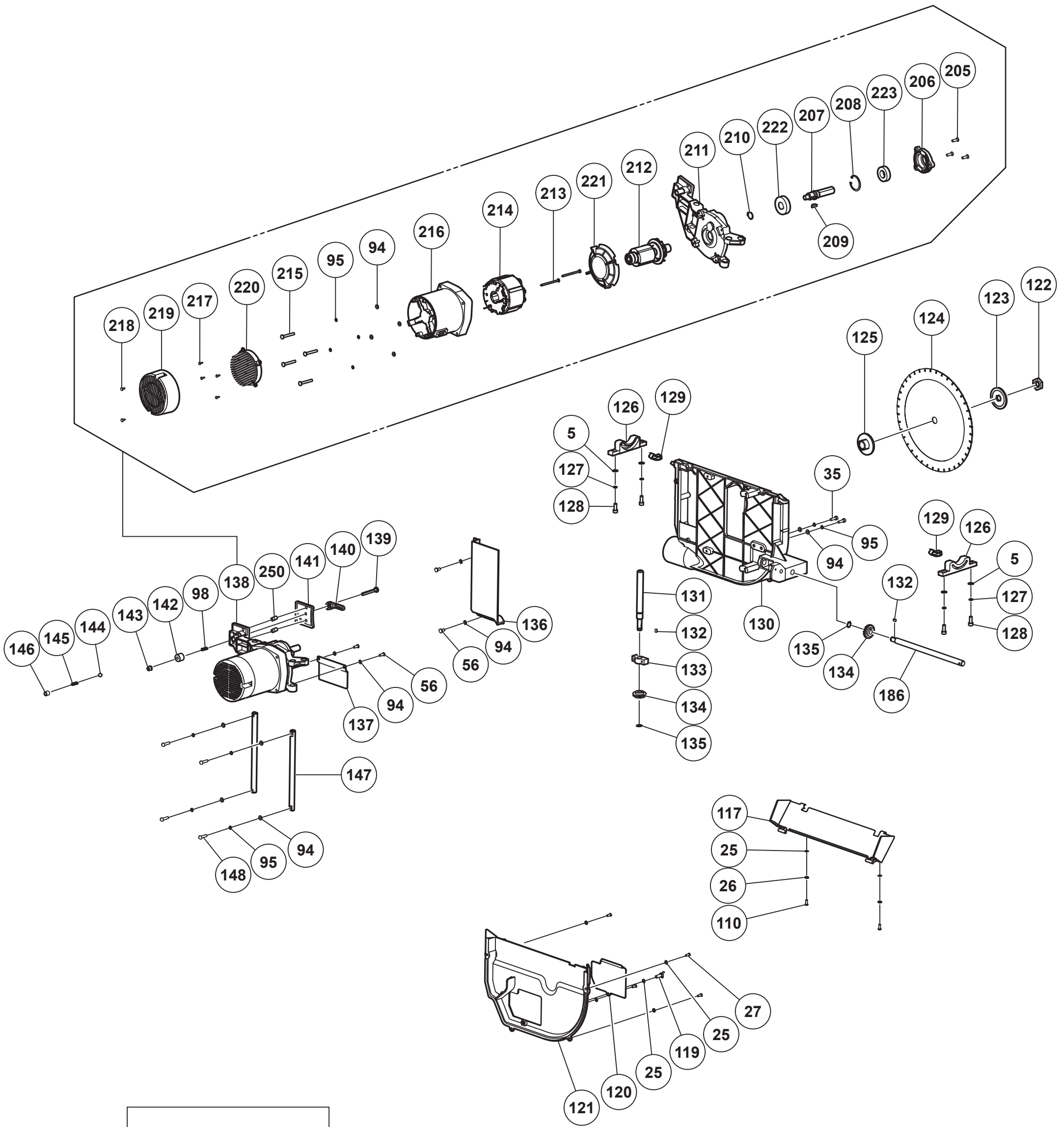
HIKOKI

OEM C3610DRJ

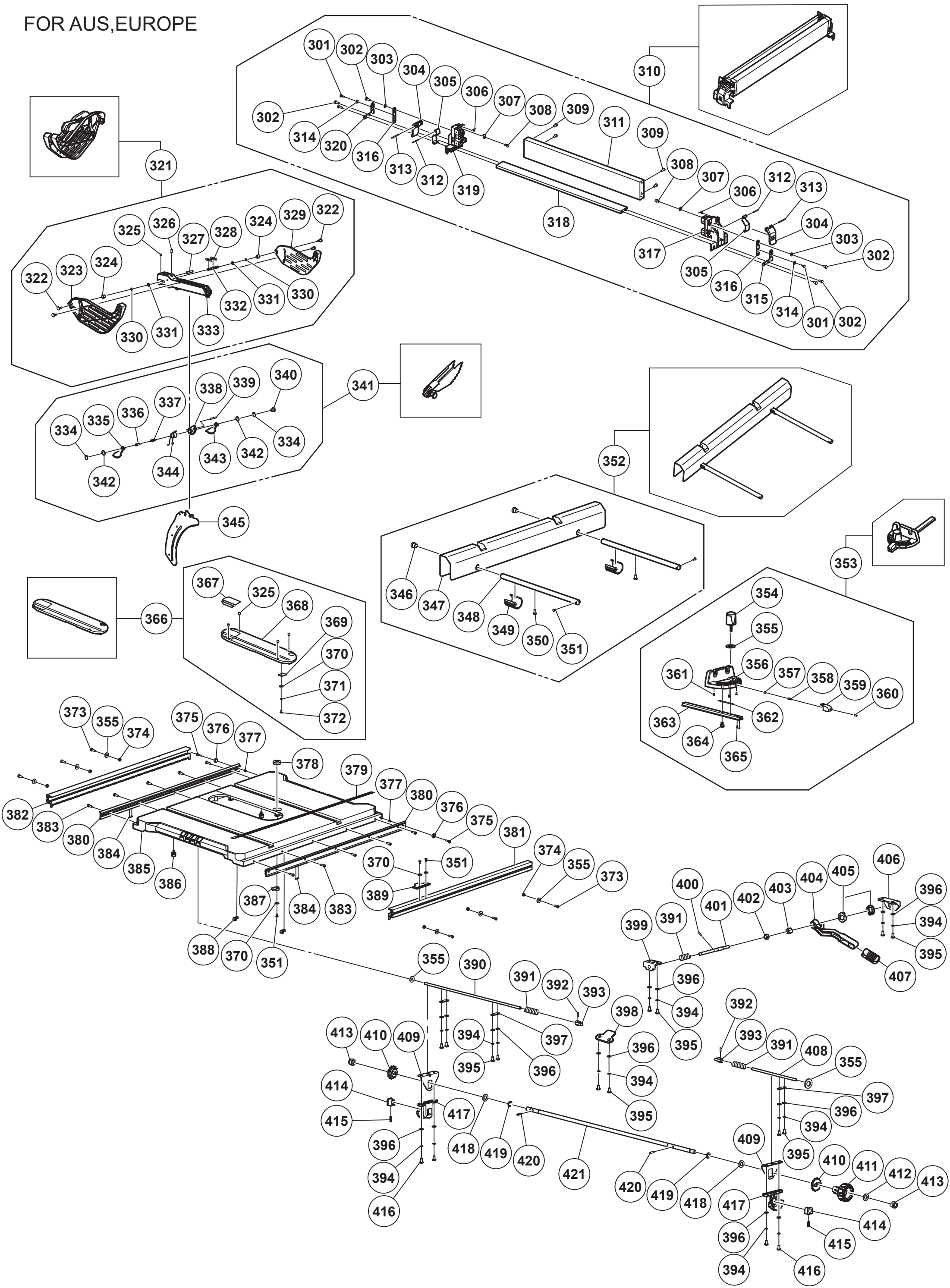
Item No.	Code No.	Description	No. Used	Remarks
460	374721	CROSS RECESSED PAN HEAD TAPPING SCREW	2	FOR EUROPE ,AUS
461	374722	SUPPORT PAD	2	FOR EUROPE ,AUS
462	376421	CROSS RECESSED PAN HEAD TAPPING SCREW	5	FOR EUROPE ,AUS
463	374726	WIRE CLIP	1	FOR EUROPE ,AUS
464	374727	CROSS RECESSED PAN HEAD TAPPING SCREW	3	FOR EUROPE ,AUS
465	374728	BATTERY CONNECTOR (B)	1	FOR EUROPE ,AUS
466	374724	BATTERY CONNECTOR (A)	1	FOR EUROPE ,AUS
467	375364	BUTTERY TERMINAL	1	FOR EUROPE ,AUS
468	371635	SWITCH LOCK	1	FOR EUROPE ,AUS
469	371461	ROTATION PIN	1	FOR EUROPE ,AUS
470	374733	SWITCH FIXING PLATE	1	FOR EUROPE ,AUS
471	374734	SWITCH HY52-7	1	FOR EUROPE ,AUS
472	371634	SWICHTH FLAP	1	FOR EUROPE ,AUS
473	371451	CROSS RECESSED PAN HEAD TAPPING SCREW	4	FOR EUROPE ,AUS
*474	376510	STAND ASS'Y	1	FOR EUROPE
475	374756	SELF-TAPPING SCREW	2	FOR EUROPE ,AUS
476	374757	REAR END CAP	1	FOR EUROPE ,AUS
477	374755	SELF-TAPPING SCREW	4	FOR EUROPE ,AUS
478	374758	DRIVER ASS'Y	1	FOR EUROPE ,AUS
479	374753	CROSS RECESS PAN HEAD SCREW M5X35	4	FOR EUROPE ,AUS
480	374754	MOTOR HOUSING	1	FOR EUROPE ,AUS
481	374752	STATOR ASS'Y	1	FOR EUROPE ,AUS
482	374751	SELF-TAPPING SCREW	2	FOR EUROPE ,AUS
483	374759	FAN COVER	1	FOR EUROPE ,AUS
484	374750	ROTOR ASS'Y	1	FOR EUROPE ,AUS
485	374749	FRONT END COVER	1	FOR EUROPE ,AUS
486	372384	SHAFT RING 16	1	FOR EUROPE ,AUS
487	374760	GEAR	1	FOR EUROPE ,AUS
488	372381	OUTPUT SHAFT	1	FOR EUROPE ,AUS
489	372380	RING	1	FOR EUROPE ,AUS
490	372369	BEARING 6003-2RS	1	FOR EUROPE ,AUS
491	372378	GEAR COVER	1	FOR EUROPE ,AUS
492	375407	COUNTERSUNK HD. SCREW WITH CROSS GROOVE	3	FOR EUROPE ,AUS
493	372382	HALF ROUND KEY	1	FOR EUROPE ,AUS
494	371615	HEX. SOCKET SET SCREW WITH FLAT POINT	1	FOR EUROPE ,AUS
495	374715	HOLDER SPRING	1	FOR EUROPE ,AUS
496	371613	STEEL BALL	1	FOR EUROPE ,AUS
497	371411	LOCK NUT M6	1	FOR EUROPE ,AUS
498	374714	CLAMPING BUSH	1	FOR EUROPE ,AUS
499	374693	SPRING	1	FOR EUROPE ,AUS
500	374712	MOTOR ASS'Y	1	FOR EUROPE ,AUS
501	371602	CYLINDRICAL PIN	2	FOR EUROPE ,AUS
502	371603	CAM PRESSING PLATE	1	FOR EUROPE ,AUS
503	371599	ECCENTRIC HAND	1	FOR EUROPE ,AUS
504	374713	SPECIAL BOLT	1	FOR EUROPE ,AUS
505	374703	TRUNNION HOLDER	2	FOR EUROPE ,AUS
506	374704	HEXAGON SOCKET HEAD CAP SCREW	4	FOR EUROPE ,AUS
507	374705	TRUNNION SLIDER BLOCK	2	FOR EUROPE ,AUS
508	375806	SAFETY SHIELD	1	FOR EUROPE ,AUS
509	376400	BOLT	2	FOR EUROPE ,AUS
510	371496	BLADE INNER FLANGE	1	FOR EUROPE ,AUS
511	376395	VARIABLE DIAMETER RING	1	FOR EUROPE ,AUS
512	376431	BLADE	1	FOR EUROPE ,AUS

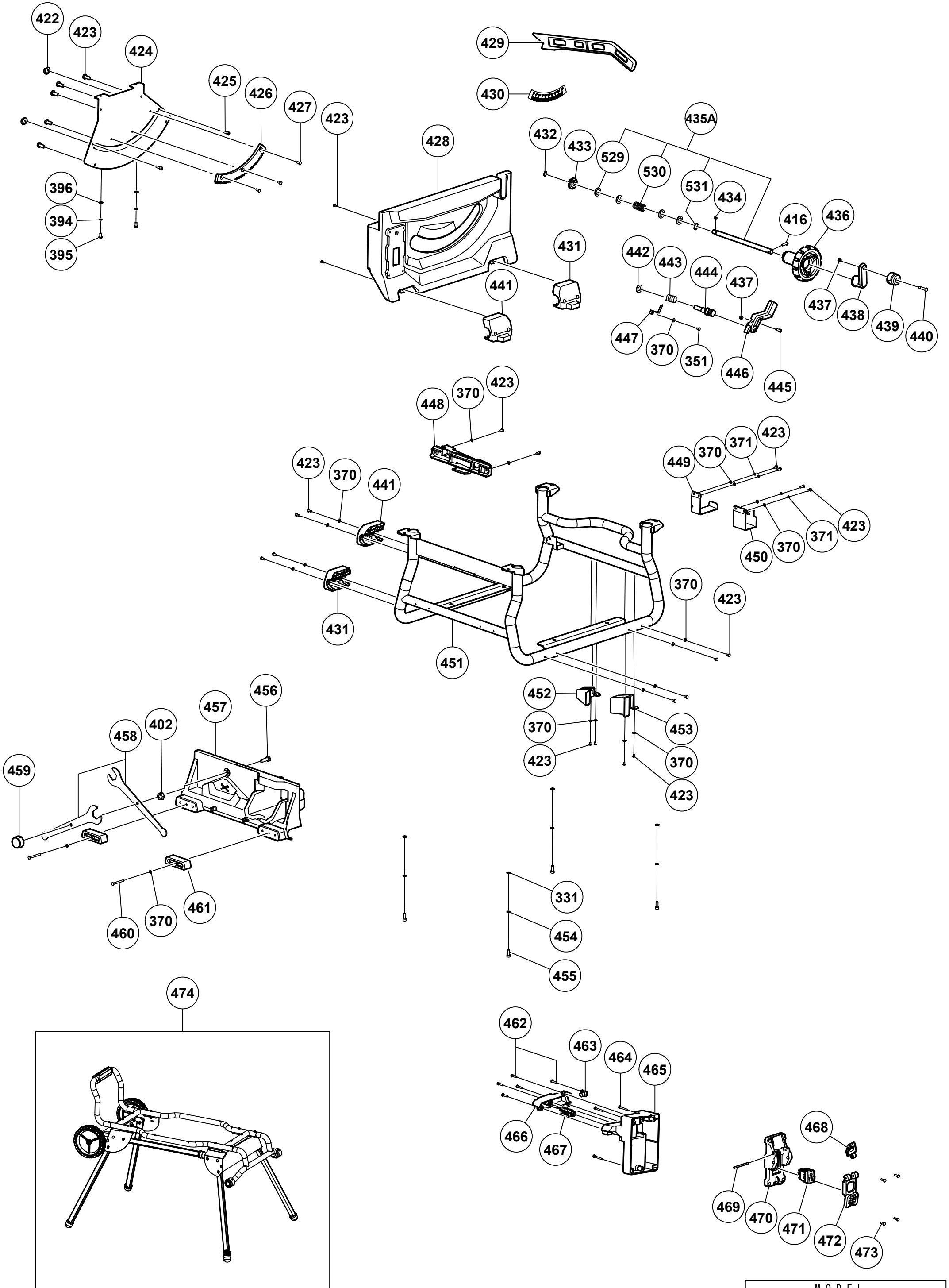
* ALTERNATIVE PARTS





FOR AUS,EUROPE





MODEL
C3610DRJ(5/6)

