

# HIKOKI

## CORDLESS CIRCULAR SAW C3606DB

Item No.	Code No.	Description	No. Used	Remarks
1	329975	WASHER (A)	1	
2	379514	BEARING HOLDER ASS'Y	1	INCLUD.3-5,11-14
3	379535	SECOND SHAFT (A)	1	
4	606ZMZ	BALL BEARING 606VV	1	
5	338921	BEARING HOLDER	1	
6	951039	MACHINE SCREW (W/SP. WASHER) M4X12	3	
7	339257	WASHER	1	
8	373078	RETURN SPRING	1	
9	939548	RETAINING RING FOR D22 SHAFT (10 PCS.)	1	
10	376366	WASHER (A)	1	
11	379534	SPINDLE GEAR SET (A)	1	
12	949203	MACHINE SCREW M3X8 (10 PCS.)	2	
13	338922	BEARING COVER	1	
14	323118	BALL BEARING 6901VV-N	1	
15	338905	LOWER GUARD	1	
16	338927	KNOB	1	
17	302090	TAPPING SCREW D4X10 (BLACK)	1	
*18	338935	TCT SAW BLADE 165MM-D20 HOLE-NT24	1	EXCEPT FOR TPE
19	376367	WASHER (B)	1	
20	338917	HEX. FLANGE BOLT	1	
*21	301631	SPRING (F)	2	FOR EUROPE,GBR,SAF
24	333781	MACHINE SCREW (W/WASHER) M4X12 (BLACK)	1	
26	379537	FLOW GUIDE (C)	1	
27	315500	MACHINE SCREW (W/WASHER) M4X8 (BLACK)	2	
*28	307811	TAPPING SCREW (W/FLANGE) D4X16 (BLACK)	9	FOR EUROPE,GBR,SAF
*29	379509	NOZZLE COVER	1	FOR EUROPE,GBR,SAF
*30	379505	SAW COVER (B)	1	FOR EUROPE,GBR,SAF
*31	380145	FT MACHINE SCREW M4X14	1	FOR EUROPE,GBR,SAF
*32	872470	O-RING (S-26)	1	FOR EUROPE,GBR,SAF
*33	379510	DUST NOZZLE (B)	1	FOR EUROPE,GBR,SAF
34	341148	STATOR SENSOR PCB ASS'Y (A)	1	INCLUD.35
35	379536	LED	1	
36	379506	FAN GUIDE	1	
37	361202	ROTOR ASS'Y (A)	1	INCLUD.38,39
38	606ZMZ	BALL BEARING 606VV	1	
39	609VVM	BALL BEARING 609VVC2PS2L	1	
40	379515	LOCK LEVER	1	
41	878609	O-RING (S-24)	1	
42	379523	LINK	1	
43	379527	GAUGE PLATE (A)	1	
44	379529	NYLOCK SET SCREW M6	3	
45	379533	HEX. SOCKET PIN M5	1	
46A	380801	GEAR COVER	1	
47	310842	CUSHION	1	
48	949793	FLAT HD. SCREW M5X20 (10 PCS.)	1	
49	323211	MACHINE SCREW M4X8 (BLACK)	3	
50	379516	PLATE (L)	1	
51	334225	SPRING	1	
52	942827	RETAINING RING (E-TYPE) FOR D8 SHAFT	1	
53	379519	LEVER	1	
54	379521	SPRING PLATE	1	
55	379518	LOCK NUT (B)	1	
56	379526	SPRING	1	

\* ALTERNATIVE PARTS

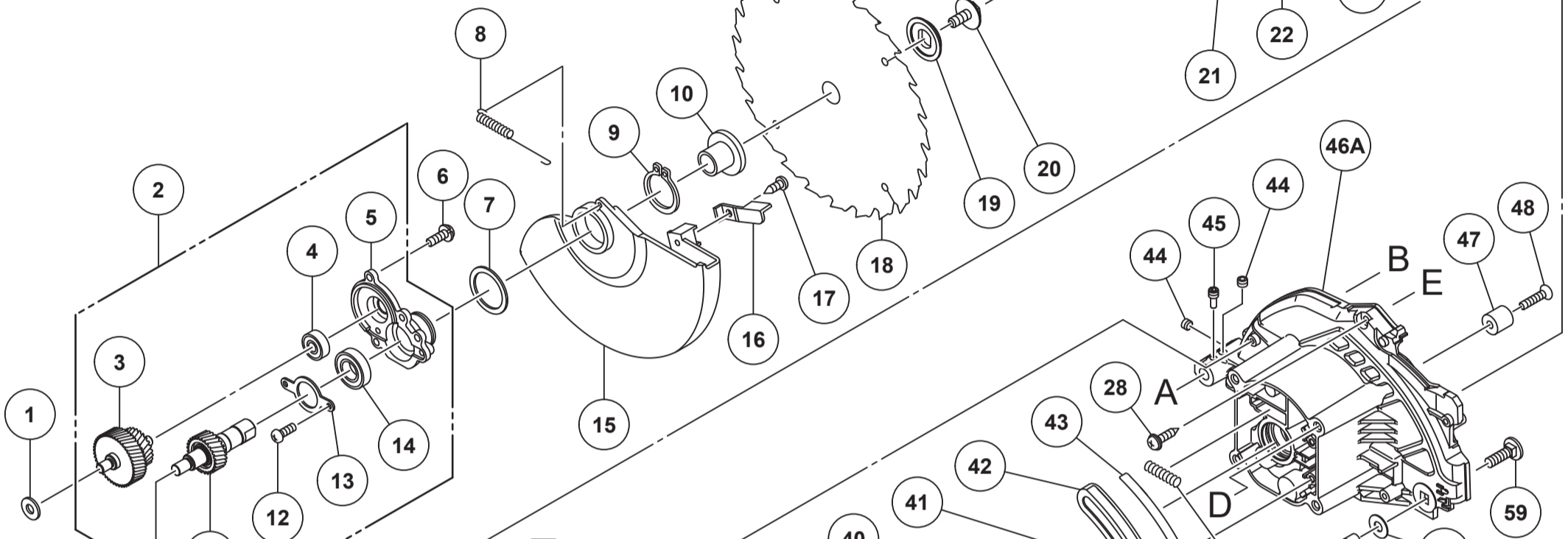
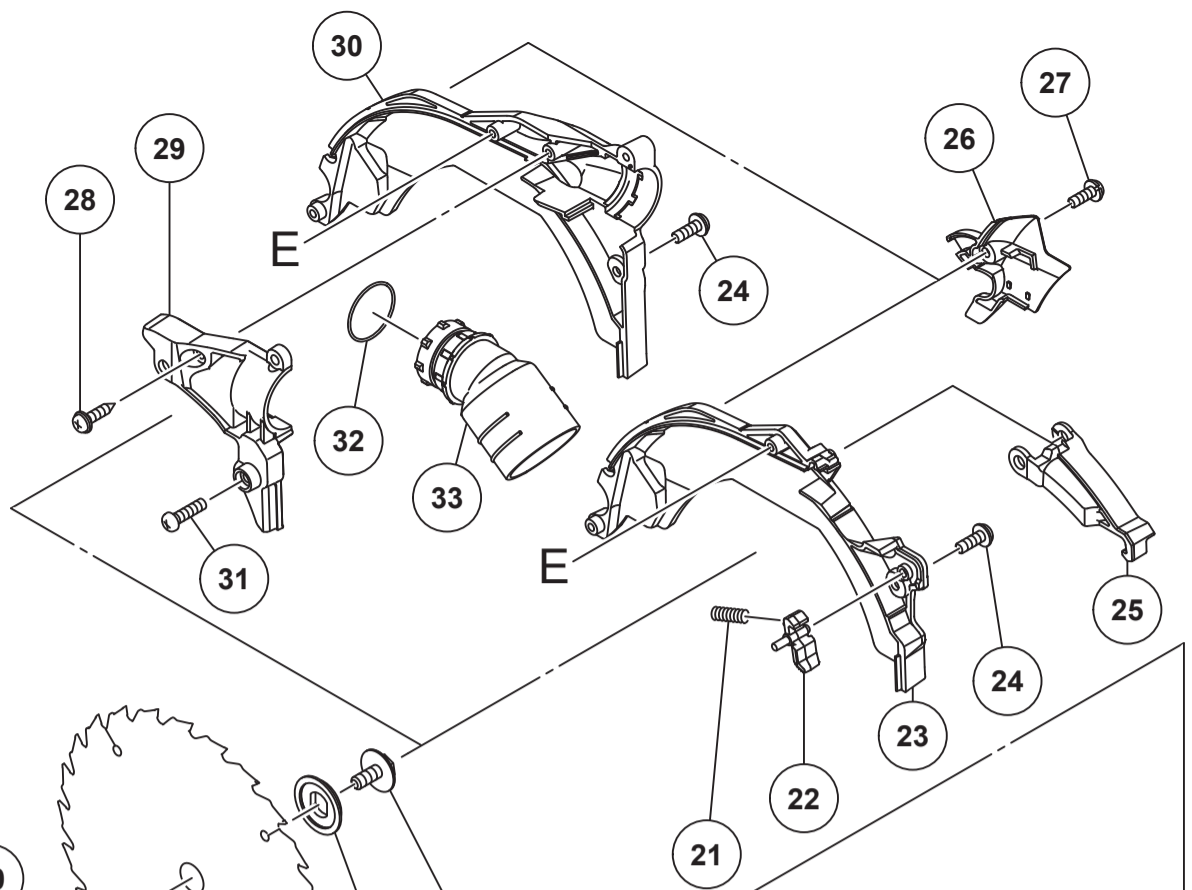
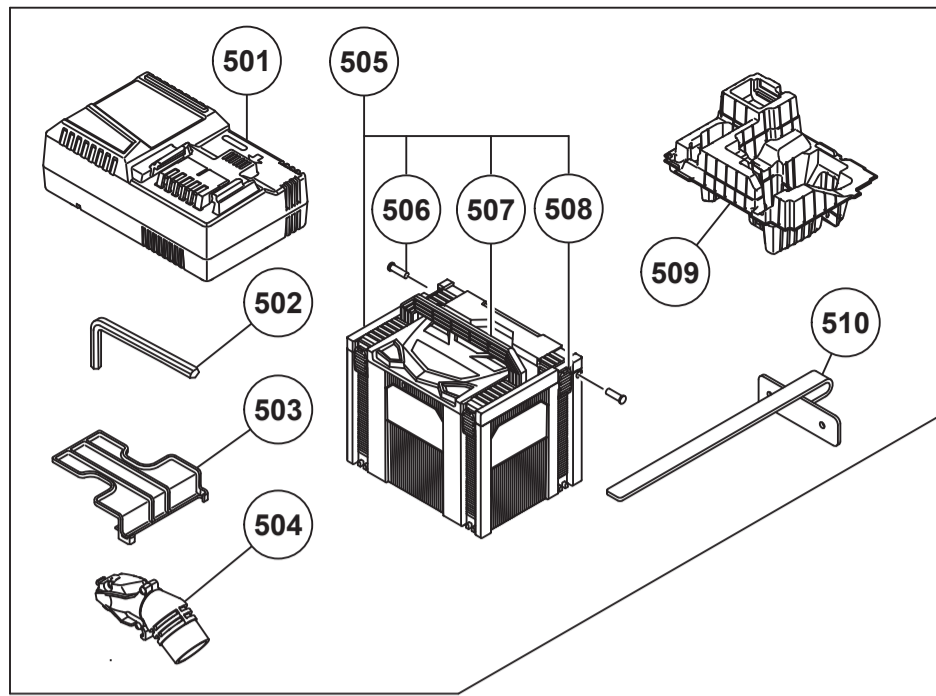
# HIKOKI

## CORDLESS CIRCULAR SAW C3606DB

Item No.	Code No.	Description	No. Used	Remarks
57	379520	SPACER (A)	1	
58	379517	WASHER (S)	1	
59	372747	BOLT (SQUARE) M6	1	
60	315500	MACHINE SCREW (W/WASHER) M4X8 (BLACK)	2	
61	338913	GUIDE PIECE	1	
62	307937	WING BOLT (A)	1	
63	948167	SUPER LOCK WASHER M6	2	
64	949432	BOLT WASHER M6 (10 PCS.)	2	
65	379528	NEEDLE D5X23.8	1	
66	333657	STOPPER LEVER	1	
67	339259	SPRING (B)	1	
68	379538	KNOB BOLT M6X17	1	
69	324876	SPRING	2	
70	377288	HEX. SOCKET SET SCREW M5X10	1	
71	376621	SPRING PLATE	1	
72	379502	BASE	1	
73	377289	HEX. SOCKET SET SCREW M5X18	1	
74	377291	NYLON NUT M5	2	
75	379522	BEVEL PIECE	1	
76	379532	HINGE SHAFT	1	
77	319541	SEAL LOCK HEX. SOCKET SET SCREW M5X6	2	
78	314623	BOLT (SQUARE) M6X22	1	
79	320163	STEP PIN D6X13	1	
80	322852	WASHER (B)	1	
81	379525	SPECIAL BOLT	1	
82	379524	SUB LINK	1	
83	307898	WING BOLT M6X18	1	
84	375026	WING NUT M6	1	
85	305490	TAPPING SCREW (W/FLANGE) D4X30 (BLACK)	2	
86	880881	MACHINE SCREW (W/WASHERS) M5X30 (BLACK)	3	
87	997841	MACHINE SCREW (W/WASHERS) M5X50 (BLACK)	1	
88		NAME PLATE	1	
89	379349	MV LABEL (A) (2)	1	
90	379531	KNOB	1	
91	379530	TRIGGER	1	
92	379415	SWITCH	1	
93	377950	SUB HANDLE ASS'Y (A)	1	INCLUD. 28
94	379350	MV LABEL (B) (2)	1	
95	379497	HOUSING SET (GREEN)	1	
*96	371750	BATTERY BSL 36A18 (EUROPE,AUS,NZL)	2	INCLUD. 503 FOR EUROPE,GBR,SAF
97	379501	BASE ASS'Y	1	INCLUD. 42-44,56,60-75,77-84
		STANDARD ACCESSORIES		
501		CHARGER (MODEL UC 18YSL3)	1	
502	944459	HEX. BAR WRENCH 5MM	1	
503	329897	BATTERY COVER	2	
505	337528	CASE ASS'Y (STACKABLE 4)	1	INCLUD. 506-508
506	336474	HINGE	2	
507	336473	HANDLE	1	
508	336472	LATCH	4	
509	379560	INNER TRAY	1	
*510	302756	GUIDE	1	FOR EUROPE,GBR,SAF
		OPTIONAL ACCESSORIES		
601	375630	LONG GUIDE (250MM)	1	

\* ALTERNATIVE PARTS





- |    |   |    |    |
|----|---|----|----|
| 42 | ~ | 44 | 56 |
| 60 | ~ | 75 |    |
| 77 | ~ | 84 |    |

