

HIKOKI

CORDLESS CIRCULAR SAW

Item No.	Code No.	Description	No. Used	Remarks
1	329975	WASHER (A)	1	
2	316487	RETAINING RING FOR D11 SHAFT	1	
3	338925	FIRST GEAR	1	
4	319567	O-RING (S-15)	1	
5	930511	FEATHER KEY 4X4X10	1	
6	374250	SECOND SHAFT ASS'Y	1	INCLUD.2-5
7	949203	MACHINE SCREW M3X8 (10 PCS.)	2	
8	606ZZM	BALL BEARING 606VV	1	
9	374239	BEARING HOLDER	1	
10	374252	BEARING HOLDER ASS'Y	1	INCLUD.6-9,16-18
11	951039	MACHINE SCREW (W/SP. WASHER) M4X12	3	
12	374244	LOWER GUARD	1	
13	374253	RETURN SPRING	1	
14	939548	RETAINING RING FOR D22 SHAFT (10 PCS.)	1	
15A	378281	WASHER (A)	1	
16	374251	SPINDLE GEAR SET	1	
17	338922	BEARING COVER	1	
18	6901VV	BALL BEARING 6901VV	1	
19	333894	KNOB	1	
20	302090	TAPPING SCREW D4X10 (BLACK)	1	
21	374351	TCT SAW BLADE 125MM-D20 HOLE-NT24	1	
22A	381477	WASHER (B)	1	
23	338917	HEX. FLANGE BOLT	1	
24	374243	SAW COVER	1	
25	333781	MACHINE SCREW (W/WASHER) M4X12 (BLACK)	3	
26	375110	WASHER	1	
27	361100	ROTOR ASS'Y	1	INCLUD.79,80
28	305691	MACHINE SCREW (W/WASHERS) M4X14 (BLACK)	1	
29	374241	LED (A)	1	
30	319541	SEAL LOCK HEX. SOCKET SET SCREW M5X6	1	
31	374236	GEAR COVER (A)	1	
32	334225	SPRING	1	
33	375031	BOLT (SQUARE) M6X20	1	
34	374247	LOCK LEVER	1	
35A	301631	SPRING (F)	1	
36	374780	KNOB	1	
37	338899	TRIGGER	1	
38	371907	SWITCH	1	
39	305691	MACHINE SCREW (W/WASHERS) M4X14 (BLACK)	1	
40	373914	MV LABEL (B)	1	
41A	341106	STATOR FET PCB ASS'Y	1	INCLUD.29,38
41A	341107	STATOR FET PCB ASS'Y (FOR BLUETOOTH)	1	INCLUD.29,38
42B	381001	HANDLE SET (GREEN)	1	
43	375104	MACHINE SCREW (W/WASHERS) M4	6	
44	374240	HOUSING SET	1	
45	336554	CUSHION	2	
46	338928	RUBBER BUSHING	1	
47	301653	TAPPING SCREW (W/FLANGE) D4X20 (BLACK)	4	
48	307811	TAPPING SCREW (W/FLANGE) D4X16 (BLACK)	3	
49	338914	COVER	1	
50		NAME PLATE	1	
51	315500	MACHINE SCREW (W/WASHER) M4X8 (BLACK)	1	
52	374259	GUIDE PIECE	1	

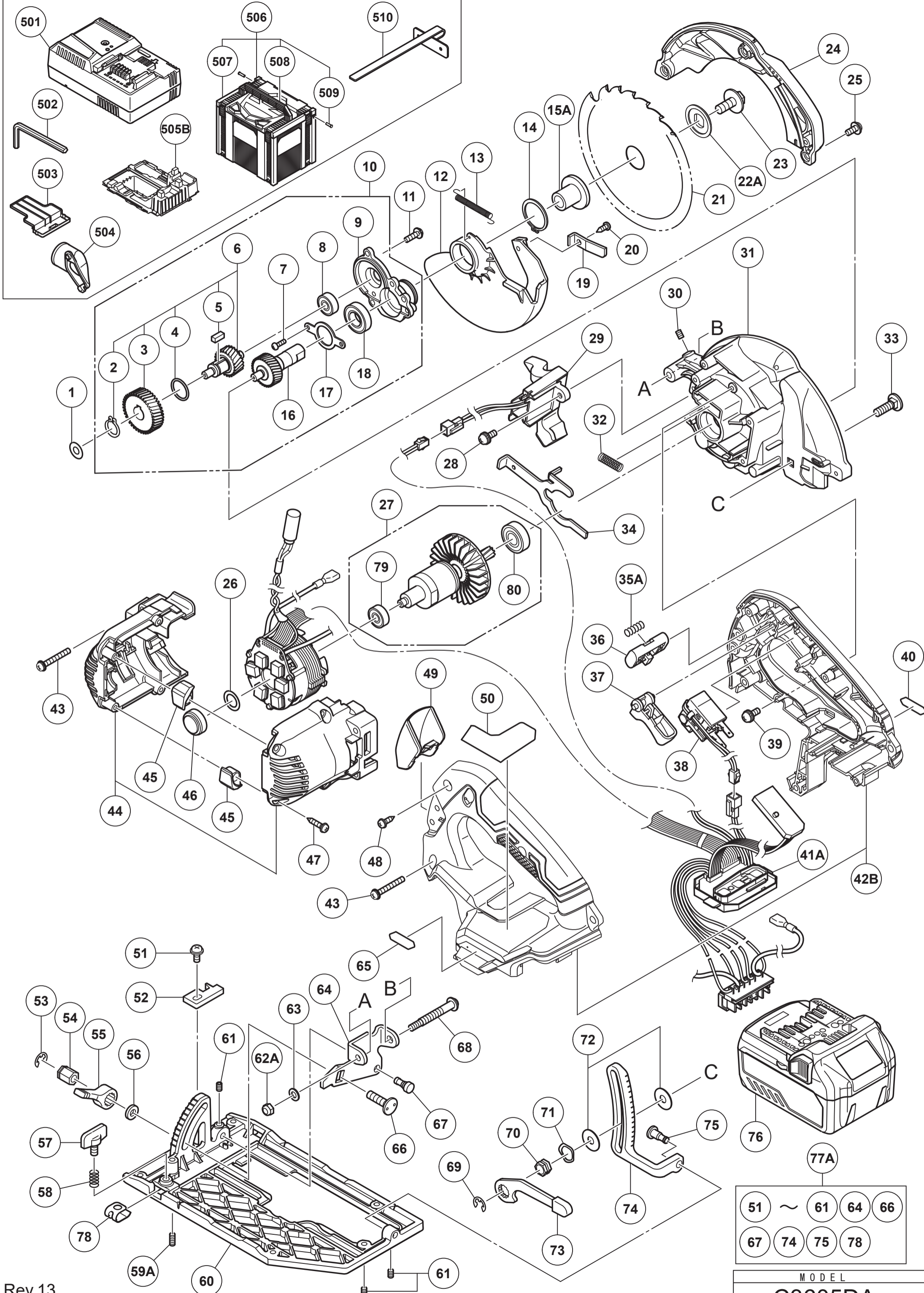
* ALTERNATIVE PARTS

HIKOKI

CORDLESS CIRCULAR SAW

Item No.	Code No.	Description	No. Used	Remarks
53	942827	RETAINING RING (E-TYPE) FOR D8 SHAFT	1	
54	333660	SPECIAL NUT M6	1	
55	333659	CLAMP LEVER	1	
56	949425	WASHER M6 (10 PCS.)	1	
57	307898	WING BOLT M6X18	1	
58	324876	SPRING	1	
59A	377288	HEX. SOCKET SET SCREW M5X10	1	
60	374237	BASE	1	
61	319541	SEAL LOCK HEX. SOCKET SET SCREW M5X6	3	
62A	377291	NYLON NUT M5	1	
63	375105	WASHER D5	1	
64	374245	BEVEL PLATE	1	
65	373913	MV LABEL (A)	1	
66	314623	BOLT (SQUARE) M6X22	1	
67	333656	STEP PIN	1	
68	325236	ADJUSTING SCREW (A)	1	
69	942827	RETAINING RING (E-TYPE) FOR D8 SHAFT	1	
70	374248	LOCK NUT	1	
71	375106	WAVE WASHER	1	
72	320975	WASHER	2	
73	374246	LEVER	1	
74	374238	LINK	1	
75	374249	SHOULDER PIN (A)	1	
76	371750	BATTERY BSL 36A18 (EUROPE,AUS,NZL)	2	INCLUD. 503
77A	374257	BASE ASS'Y (B)	1	INCLUD. 51-61,64,66,67,74,75,78
78	376621	SPRING PLATE	1	
79	606ZZM	BALL BEARING 606VV	1	
80	609VVM	BALL BEARING 609VVC2PS2L	1	
		STANDARD ACCESSORIES		
501		CHARGER (MODEL UC 18YSL3)	1	
502	944459	HEX. BAR WRENCH 5MM	1	
503	329897	BATTERY COVER	2	
504	329063	DUCT ADAPTER SET	1	
505B	381000	INNER TRAY	1	
506	337528	CASE ASS'Y (STACKABLE 4)	1	INCLUD. 507-509
507	336472	LATCH	4	
508	336473	HANDLE	1	
509	336474	HINGE	2	
510	302756	GUIDE	1	
		OPTIONAL ACCESSORIES		
601	374261	FLUORINE PLATE ASS'Y	1	INCLUD. 602
602	321996	SPECIAL BOLT	4	
603	339187	HOOK SET	1	

* ALTERNATIVE PARTS



51	~	61	64	66
67		74	75	78

MODEL
C3605DA