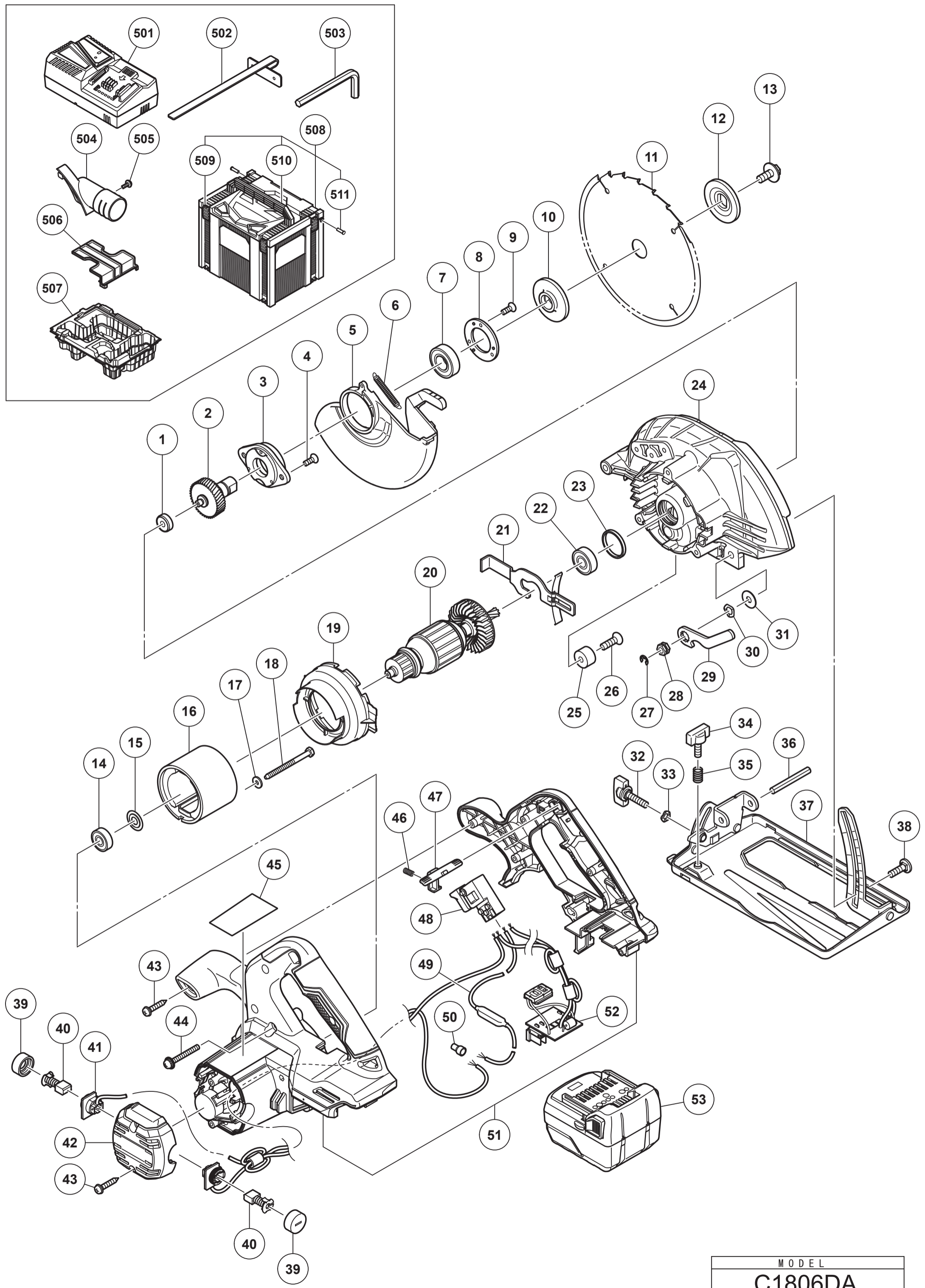


HIKOKI

CORDLESS CIRCULAR SAW C1806DA

Item No.	Code No.	Description	No. Used	Remarks
1	963803	METAL	1	
2	373459	SPINDLE AND GEAR SET	1	
3	308361	BEARING HOLDER	1	
4	305568	SEAL LOCK FLAT HD. SCREW M5X12	2	
5	331266	PROTECTIVE COVER	1	
6	331268	RETURN SPRING	1	
7	6002VV	BALL BEARING 6002VVCMP2L	1	
8	308362	BEARING COVER	1	
9	308773	SEAL LOCK FLAT HD. SCREW M3X12	3	
10	322099	WASHER (A)	1	
11	338935	TCT SAW BLADE 165MM-D20 HOLE-NT24	1	
12	373460	WASHER (B)	1	
13	325541	HEX. SOCKET HD. BOLT (W/WASHER) M7X17.5	1	
14	608VVM	BALL BEARING 608VVC2PS2L	1	
15	982631	WASHER (A)	1	
16	319846	MAGNET	1	
17	319290	WASHER	2	
18	960108	HEX. HD. TAPPING SCREW D4X60	2	
19	377995	FAN GUIDE	1	
20	361166	ARMATURE 230V-240V	1	
21	377996	LOCK LEVER	1	
22	6000VV	BALL BEARING 6000VVCMP2L	1	
23	318647	RUBBER RING	1	
24	373461	GEAR COVER ASS'Y	1	INCLUD. 23, 25, 26
25	961729	CUSHION	1	
26	949794	FLAT HD. SCREW M6X20 (10 PCS.)	1	
27	942827	RETAINING RING (E-TYPE) FOR D8 SHAFT	1	
28	374248	LOCK NUT	1	
29	377999	LEVER	1	
30	375106	WAVE WASHER	1	
31	320975	WASHER	1	
32	308364	WING BOLT (A) M6X15	1	
33	948167	SUPER LOCK WASHER M6	1	
34	307898	WING BOLT M6X18	1	
35	324876	SPRING	1	
36	949750	ROLL PIN D6X50 (10 PCS.)	1	
37	378156	BASE ASS'Y	1	INCLUD. 32-35
38	372747	BOLT (SQUARE) M6	1	
39	336490	BRUSH CAP	2	
40	999017	CARBON BRUSH (1 PAIR)	2	
41	377998	BRUSH HOLDER SET (A)	1	
42	377994	TAIL COVER	1	
43	301653	TAPPING SCREW (W/FLANGE) D4X20 (BLACK)	7	
44	302434	MACHINE SCREW (W/WASHERS) M5X45 (BLACK)	3	
45		NAME PLATE	1	
46	301631	SPRING (F)	1	
47	336481	KNOB	1	
48	319825	SWITCH (1P SCREW TYPE) W/O LOCK	1	
49	378021	FUSE	1	
50	959141	CONNECTOR 50092 (10 PCS.)	1	
51	377992	HOUSING SET (AGGRESSIVE GREEN)	1	
52	377997	CONTROLLER TERMINAL SET	1	
53	376029	BATTERY BSL 1850C (EUROPE, AUS, NZL)	2	INCLUD. 506

* ALTERNATIVE PARTS



MODEL
C1806DA